

**INTERNALLY ILLUMINATED STREET NAME SIGN  
FOR STANDARD TRAFFIC SIGNAL POLES**



REVISIONS			
No.	DATE	No.	DATE
A	02/84	B	4/19
C	8/19		

*[Signature]*  
CITY ENGINEER

8/8/19  
DATE

*[Signature]*  
DIRECTOR OF PUBLIC WORKS

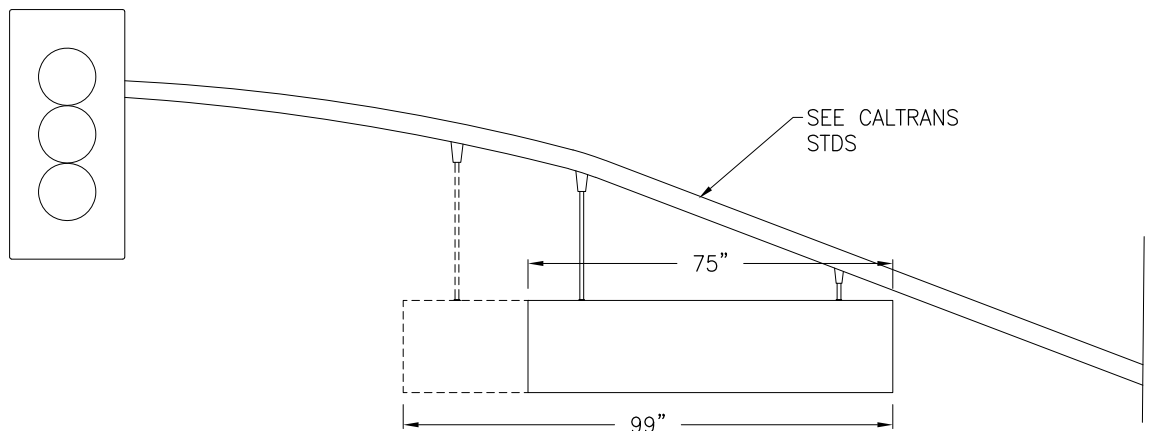
8/8/19  
DATE

STANDARD DETAIL  
**406**  
SHEET 1 OF 3

**DEPARTMENT OF PUBLIC WORKS**

## GENERAL NOTES

1. FOR TRAFFIC SIGNAL POLE DETAILS REFER TO CALTRANS STANDARD PLANS.
2. ILLUMINATED STREET NAMES SIGNS (ISNS) SHALL BE INSTALLED IN ACCORDANCE WITH THE CITY OF ANAHEIM TRAFFIC ENGINEERING SPECIFICATIONS FOR TRAFFIC SIGNAL AND SAFETY LIGHTING FACILITIES AND THE CALTRANS STANDARD SPECIFICATIONS AND STANDARD PLANS.
3. EACH SIGN SHALL BE EQUIPPED WITH TYPE IV PHOTOELECTRIC CONTROL.
4. REFER TO CALTRANS STANDARD PLAN NO. ES-7P FOR MOUNTING DETAILS.
5. SIZE  
EACH I.S.N.S. SHALL BE A DOUBLE-FACED 75" OR 99" X 19" TYPE "A" SIGN UNLESS OTHERWISE NOTED ON PLANS.
6. LIGHTING  
SIGNS SHALL BE LED LIGHTING AND PERIMETER LIT.
7. LAYOUT  
A 1/2" WHITE BORDER SHALL BE VISIBLE AROUND THE ENTIRE PERIMETER OF THE SIGN PANEL AFTER INSTALLED.
8. LETTERING  
LETTERING TO BE WHITE OR BLACK PER SHEET 1 OF 3.  
CLEARVIEW HIGHWAY 3B FONT  
CENTERED VERTICALLY  
MAIN LEGEND TO BE 9" UPPER CASE AND 7" LOWER CASE.
9. BACKGROUND COLORS:  
HIGH FEDERAL BLUE (MATCH PANTONE 300C)  
ANAHEIM RESORT/PLATINUM TRIANGLE COLOR P3 GREEN – CONTACT CITY OF ANAHEIM RESORT SERVICES (714-765-6860) FOR COLOR (DRAWN DOWN) CARDS.  
DOT HIGHWAY YELLOW COLOR (PANTONE 116C) FOR PEDESTRIAN CROSSINGS  
DOT HIGHWAY RED COLOR (PANTONE 7621C) FOR FIRE SIGNAL CROSSINGS.
10. HOUSING  
POLYESTER POWDER COAT FINISH  
COLOR SATIN BLACK OR RESORT P7 GREEN
11. LOGOS  
CITY SEAL 8 1/2" AND TO TO HAVE 1/2" WHITE BORDER WITH 3" WHITE ANAHEIM LETTERING.  
RESORT LOGO 12" WITH 1/2" WHITE BORDER  
PLATINUM TRIANGLE LOGO 12" WITH 1/2" WHITE BORDER  
CONTACT PUBLIC WORKS TRAFFIC ENGINEERING TO ACQUIRE SEAL FOR LOGO DECAL ARTWORK.



## INTERNALLY ILLUMINATED STREET NAME SIGN FOR STANDARD TRAFFIC SIGNAL POLES



REVISIONS			
No.	DATE	No.	DATE
A	02/84	B	4/19
C	8/19		

*[Signature]*

CITY ENGINEER

8/8/19  
DATE

*[Signature]*

DIRECTOR OF PUBLIC WORKS

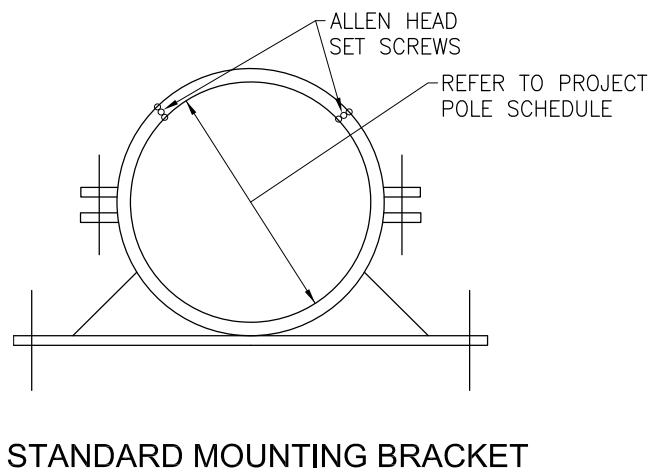
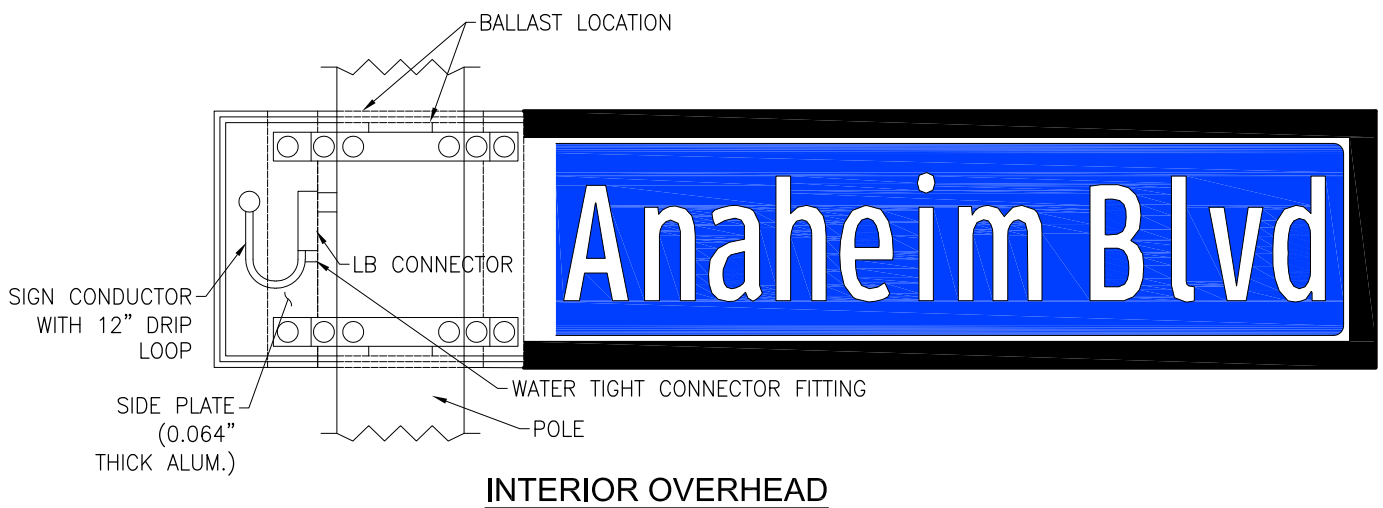
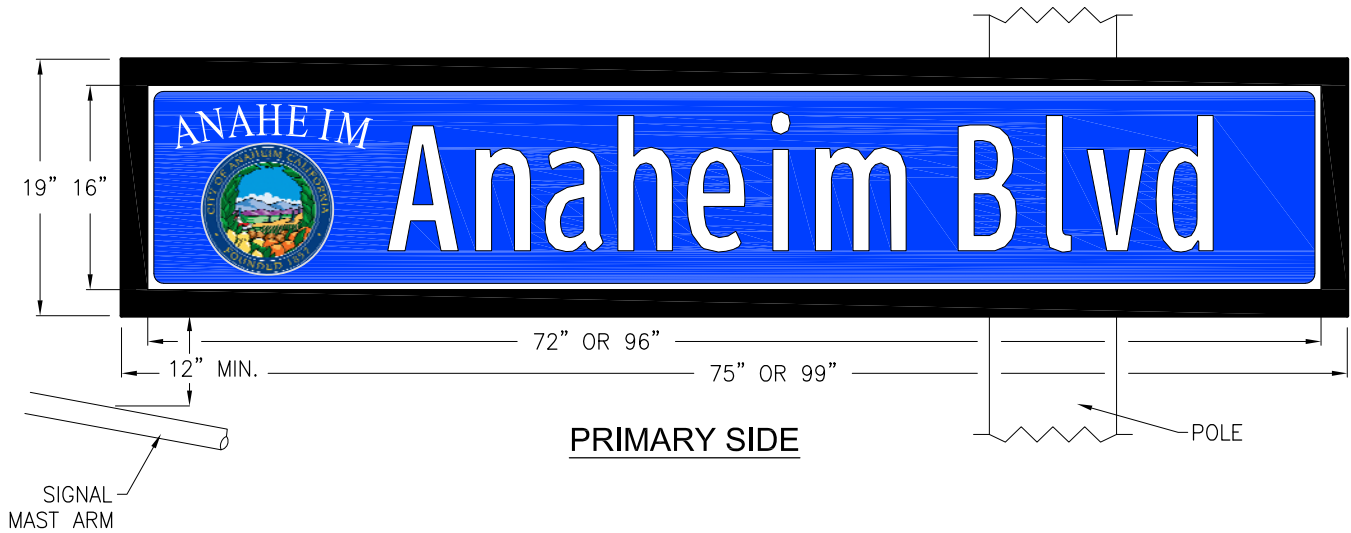
8/8/19  
DATE

STANDARD DETAIL

**406**

SHEET 2 OF 3

**DEPARTMENT OF PUBLIC WORKS**



**INTERNALLY ILLUMINATED STREET NAME SIGN  
FOR VERTICAL SHAFT MOUNTING**



REVISIONS			
No.	DATE	No.	DATE
A	02/84	B	4/19
C	8/19		

*[Signature]*  
CITY ENGINEER

8/8/19  
DATE

*[Signature]*  
DIRECTOR OF PUBLIC WORKS

8/8/19  
DATE

STANDARD DETAIL  
**406**  
SHEET 3 OF 3

**DEPARTMENT OF PUBLIC WORKS**