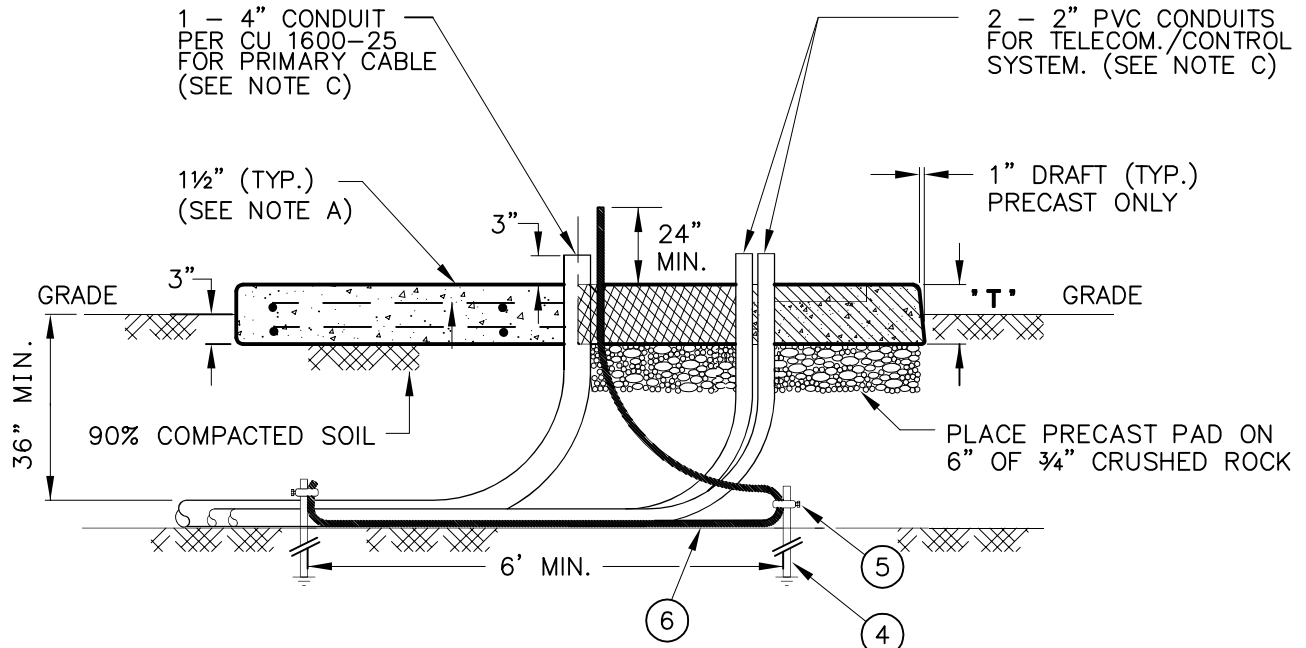
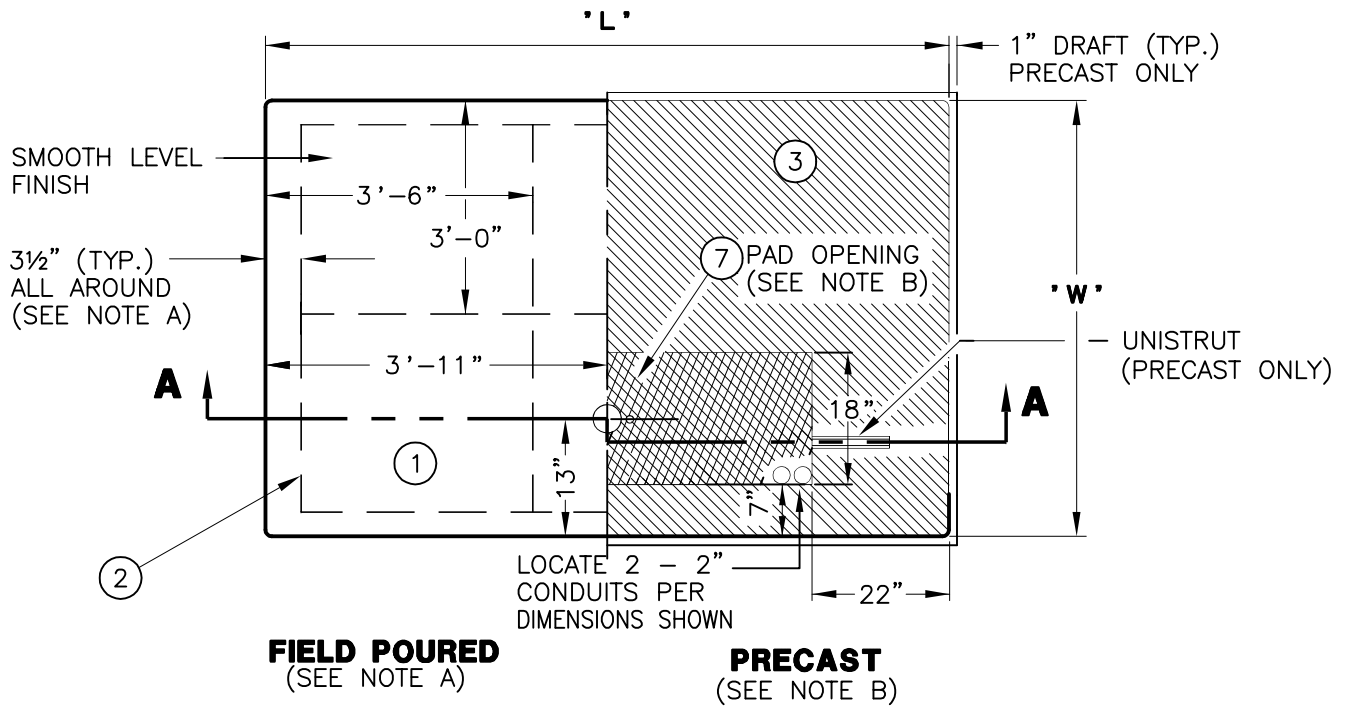


SCOPE: THIS STANDARD SHOWS PAD SIZE AND INSTALLATION REQUIREMENTS FOR 12KV PAD MOUNTED CAPACITOR CABINET.



| MANUFACTURER | CATALOG NO. | "L" | "W" | "T" | ANAHEIM PART NO. |
|---------------|--------------|-----|-----|-----|------------------|
| FIELD POURED | - | 96" | 80" | 6" | - |
| JENSEN | PD7294-T6-11 | 94" | 72" | 6" | - |
| UTILITY VAULT | 7294-06-P | 94" | 72" | 6" | - |

FILENAME: CU1600-2 REV3

CITY OF ANAHEIM
PUBLIC UTILITIES DEPARTMENT
ELECTRICAL DIVISION
T&D CONSTRUCTION STANDARDS

APPROVALS

| | | |
|---------|-----------|-----------|
| T&D MGR | FIELD MGR | OPER. MGR |
| | | |

REVISION KEYS:

| | | | |
|--|----------------------|--|--------------------------|
| | ADDED / REVISED TEXT | | ADDED / REVISED MATERIAL |
|--|----------------------|--|--------------------------|

**12KV PAD MOUNTED CAPACITOR CABINET
INSTALLATION REQUIREMENTS**

NEW SHEET

REVISION NO. **3**

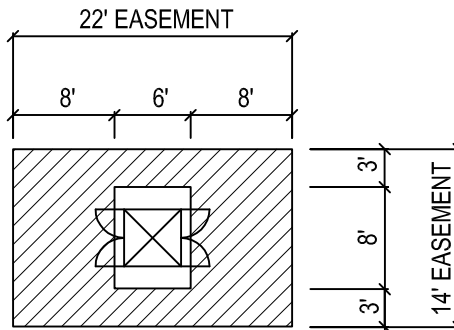
ISSUE DATE: **01-08**

SHEET **1** OF **2**

CONSTRUCTION STANDARD:
CU 1600-2

MATERIAL LIST

| ITEM | QTY | DESCRIPTION | ANAHEIM PART NO. | COMPATIBLE UNIT | |
|------|-----------|--------------------------------|------------------|-----------------|------------|
| 1 | .87 YDS | CONCRETE, CLASS A, 5 SACK MIX | - | - | SEE NOTE A |
| 2 | 95 LF | REINFORCING BAR #4 (1/2" DIA.) | - | - | SEE NOTE A |
| 3 | 1 | PAD, PRECAST (SEE TABLE) | - | - | SEE NOTE B |
| 4 | 2 | GROUND ROD, 5/8" x 8' LONG | 547005 | GRNDROD | SEE NOTE D |
| 5 | 2 | CLAMP, GROUND | 568075 | GRNDCLMP-ROD | SEE NOTE D |
| 6 | 15 FT | WIRE #4 BARE CU. SOLID, SOFT | 446150 | W4CUBARE-SD | |
| 7 | 1.8 CU.FT | READY MIX CONCRETE | - | - | SEE NOTE B |



PSC
6'X8' PAD
EASEMENT 14'X22'

NOTES:

- A. POURED PAD: PAD SIZE, PER TABLE. CONCRETE TO BE 3000 PSI (MINIMUM) AT 28 DAYS. REINFORCING STEEL TO BE NO. 4 BARS INSTALLED IN DOUBLE NET. PERIMETER BARS TO BE CONTINUOUS (8" MINIMUM LAP OR WELD).
- B. PRECAST PAD: SURFACE MOUNTED CAPACITOR PAD, (SEE TABLE). OPENING SHALL BE FILLED WITH MINIMUM OF 3" READY MIX CONCRETE (ITEM 7) FLUSH WITH TOP SURFACE.
- C. CONDUIT RISERS SHALL BE LOCATED PER DIMENSIONS IN THE PLAN VIEW ON SHEET 1 AND ROUTED PER WORK ORDER DRAWINGS. PLUG CONDUIT ENDS PER CU 1600-96G.
- D. FOR GROUND ROD & CLAMP MATERIAL REQUIREMENTS, SEE CO 782.
- E. CONDUITS, GROUNDING, BACKFILL AND COMPACTION TO BE COMPLETED AND INSPECTED PRIOR TO PLACEMENT OF PAD.
- F. NO VAULT IS REQUIRED UNDER THE PAD FOR THE INSTALLATION OF PADMOUNT CAPACITOR BANKS.

FILENAME: CU1600-2 REV3

| | | | |
|--|---|--|---|
| CITY OF ANAHEIM PUBLIC UTILITIES DEPARTMENT ELECTRICAL DIVISION T&D CONSTRUCTION STANDARDS | REVISION KEYS: | [Pattern] ADDED / REVISED TEXT [Arrow] ADDED / REVISED MATERIAL | NEW SHEET |
| | 12KV PAD MOUNTED CAPACITOR CABINET INSTALLATION REQUIREMENTS | | REVISION NO. 3 ISSUE DATE: 01-08 SHEET 2 OF 2 CONSTRUCTION STANDARD: CU 1600-2 |
| APPROVALS | | | |
| T&D MGR | FIELD MGR | OPER. MGR | |
| | | | |