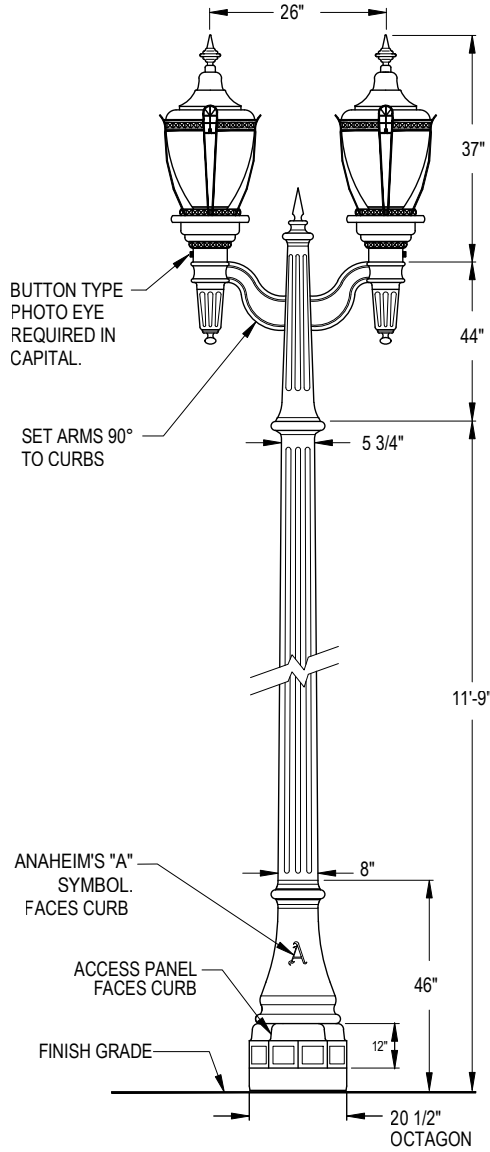
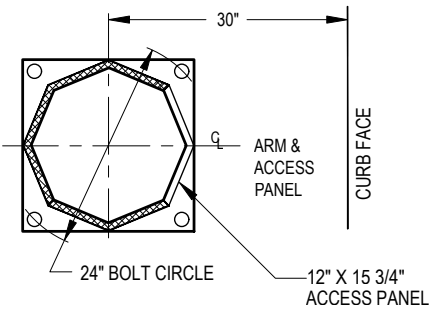


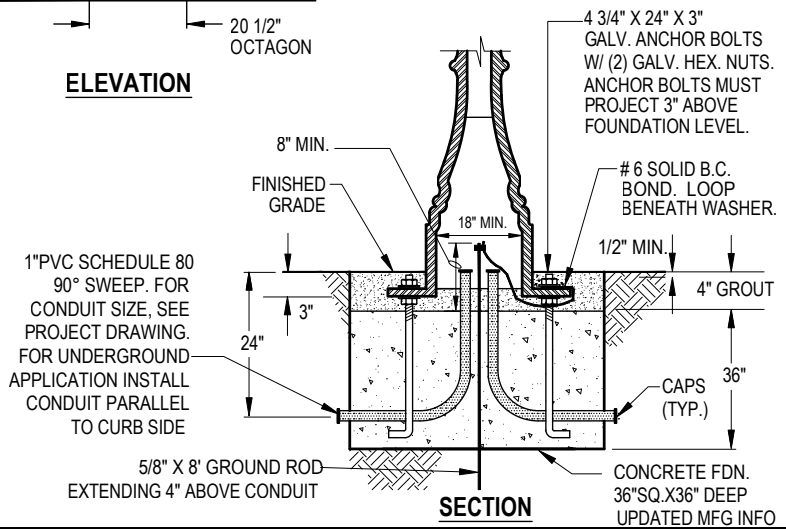
SCOPE: THIS STANDARD SHOWS CITY OF ANAHEIM STREET LIGHT DESIGN #743 CONSTRUCTION AND DETAILS.



ELEVATION



BASE DETAIL



SECTION

FILENAME: L130 REV2

CITY OF ANAHEIM
PUBLIC UTILITIES DEPARTMENT
ELECTRICAL DIVISION
T&D CONSTRUCTION STANDARDS

APPROVALS		
T&D MGR	FIELD MGR	OPER. MGR
<i>[Signature]</i>	<i>[Signature]</i>	<i>[Signature]</i>

REVISION KEYS:

ADDED / REVISED TEXT ADDED / REVISED MATERIAL

NEW SHEET

CITY OF ANAHEIM
STREET LIGHT DESIGN #743
ANAHEIM COLONY HISTORIC DISTRICT

REVISION NO.	2
ISSUE DATE:	01-11
SHEET	1 OF 2
CONSTRUCTION STANDARD:	L 130



NOTES:

1. THE POLE SHALL BE GREEN COLOR (ANAHEIM SPEC) CAST ALUMINUM, HEAVY DUTY, CORROSION RESISTANT WITH FOUR (4)- 3/4" x 24" x 3" HOT DIPPED GALVANIZED ANCHOR BOLTS WITH DOUBLE NUTS AND WASHERS.
2. WIRING SHALL BE #14 COPPER WIRES WITH XHHW-2 INSULATION (BLACK-PHASE, WHITE-NEUTRAL, GREEN-GROUND).
3. THE POLE MANUFACTURERS ARE "ECHO LIGHTING"; VENDORS TO ORDER THE UNIT ARE: ECHO LIGHTING; SOUTHCOAST LIGHTING, WESCO LIGHTING, PACIFIC LIGHT CORPORATION, AND ONE SOURCE.

ITEM	QTY	DESCRIPTION	ANAHEIM PART NO.	COMPATIBLE UNIT
1	1	POLE, WITH ANCHOR BOLTS AND TWIN ARM	476046	SLDES743
2	1	TWIN ARM	464016	-
3	1	ACCESS PANEL	466230	-
4	1	LUMINAIRE 100 WATT, 120 VOLTS	474195	L742/743FLM120V
		LUMINAIRE 100 WATT, 240 VOLTS	474200	L742/743FLM240V

FILENAME: L130 REV2

UPDATED MFG INFO

CITY OF ANAHEIM PUBLIC UTILITIES DEPARTMENT ELECTRICAL DIVISION T&D CONSTRUCTION STANDARDS	REVISION KEYS:	 ADDED / REVISED TEXT	 ADDED / REVISED MATERIAL	NEW SHEET
	CITY OF ANAHEIM STREET LIGHT DESIGN #743 ANAHEIM COLONY HISTORIC DISTRICT			
	REVISION NO. 2 ISSUE DATE: 01-11 SHEET 2 OF 2 CONSTRUCTION STANDARD:			
	L 130			
APPROVALS				
T&D MGR	FIELD MGR	OPER. MGR		
