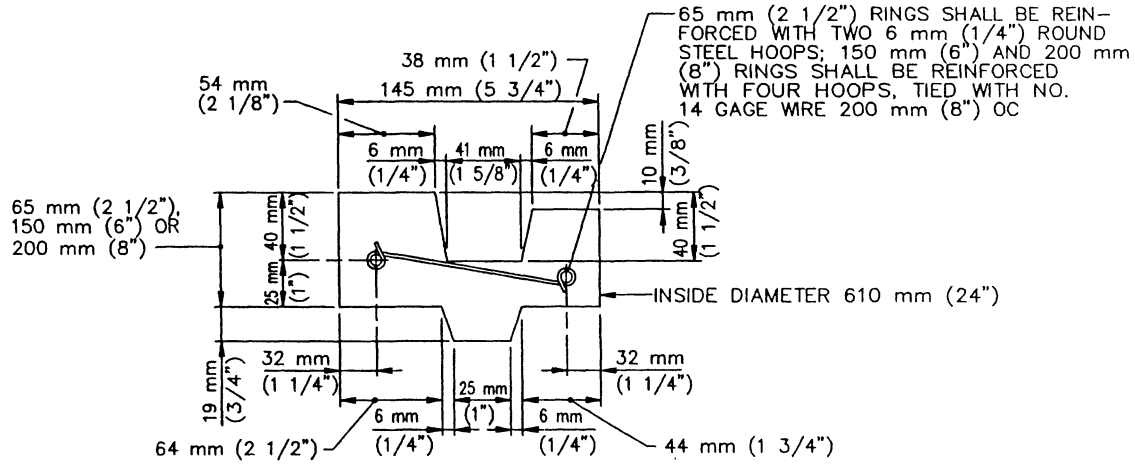


VERTICAL SECTION OF PLAIN CONCRETE ECCENTRIC MANHOLE SHAFT

VERTICAL SECTION OF REINFORCED CONCRETE ECCENTRIC MANHOLE SHAFT



CROSS SECTION OF REINFORCED CONCRETE RING

NOTES

1. UNLESS OTHERWISE INDICATED THIS STRUCTURE SHALL CONFORM TO ASTM C 478M (ASTM C 478) AND ALL CONCRETE SHALL BE PER SSPWC 201-1.2.
2. MANHOLE FRAME AND COVER SHALL CONFORM TO SPPWC 630.
3. ALL JOINTS SHALL BE SEALED BY FILLING THE ANNULAR SPACES WITH CLASS C MORTAR. THE INSIDE OF THE SHAFT AT EACH JOINT SHALL BE WIPED CLEAN OF EXCESS MORTAR.
4. PROTECTIVE PLASTIC LINER (T LOCK) OR ENGINEER-APPROVED COATINGS WHERE REQUIRED BY THE PLANS SHALL BE IN ACCORDANCE WITH SSPWC AND THE MANUFACTURER'S DIRECTIONS.
5. STEPS SHALL CONFORM TO SPPWC 635 OR 636. THE TOP STEP SHALL BE PLACED DIRECTLY BENEATH THE MANHOLE FRAME. UNLESS OTHERWISE SHOWN, STEPS SHALL BE UNIFORMLY SPACED 350 mm (14") TO 375 mm (15") OC.
6. THE ECCENTRIC MANHOLE SHAFT REDUCER AND RINGS MAY BE PLAIN CONCRETE. FOR PLAIN CONCRETE SECTIONS THE MINIMUM THICKNESS SHALL BE 150 mm (6").
7. THE PRECAST CONCRETE MANHOLE STRUCTURES WILL BE INSPECTED BY THE ENGINEER WHO WILL INDICATE ACCEPTANCE FOR SHIPMENT TO THE JOB BY MARKING THE STRUCTURES WITH THE AGENCY'S STAMP.
8. THE VERTICAL SIDES OF THE MANHOLE SHAFT AND THE ECCENTRIC REDUCER SHALL BE LOCATED ABOVE AND IN LINE WITH THE SIDE OF THE STORM DRAIN CONDUIT.
9. CONSTRUCT MANHOLE SAFETY LEDGE PER SPPWC 330 IF DEPTH OF MANHOLE TO INVERT IS GREATER THAN 6 m (20') AND MANHOLE SHAFT IS GREATER THAN 3 m (10'). WHEN SAFETY LEDGE IS REQUIRED AND MANHOLE SHAFT IS LESS THAN 4 m (12') SPPWC 326 MUST BE USED.
10. THE FOLLOWING SPPWC ARE INCORPORATED HEREIN:  
  
630 610 mm (24") MANHOLE FRAME AND COVER  
635 STEEL STEP  
636 POLYPROPYLENE PLASTIC STEP

STANDARD PLANS FOR PUBLIC WORKS CONSTRUCTION

**MANHOLE SHAFT WITH  
ECCENTRIC REDUCER**

STANDARD PLAN  
METRIC

**324-1**

SHEET 2 OF 2