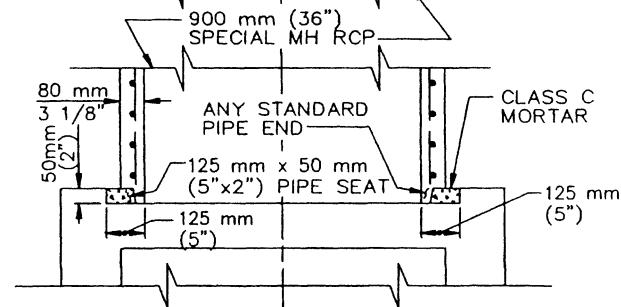
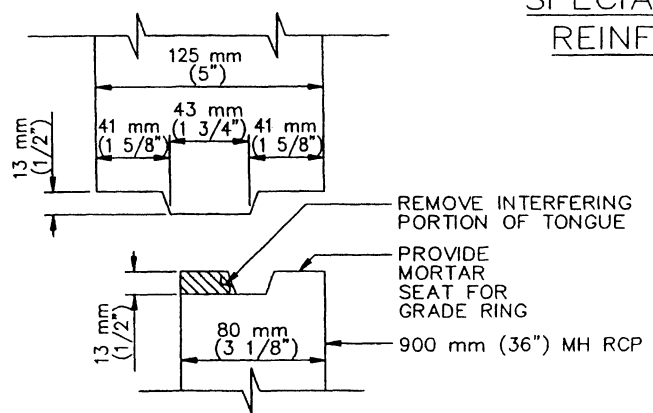


VERTICAL SECTION OF SPECIAL MANHOLE SHAFT WITH GRADE RING RISERS



VERTICAL SECTION OF SPECIAL MANHOLE SHAFT WITH REINFORCED CONCRETE PIPE



DETAIL "A"

STANDARD PLANS FOR PUBLIC WORKS CONSTRUCTION		
PROMULGATED BY THE PUBLIC WORKS STANDARDS INC. GREENBOOK COMMITTEE 1992 REV. 1996	MANHOLE SHAFT 900 mm (36") WITHOUT REDUCER	STANDARD PLAN METRIC 326-1 SHEET 1 OF 2
USE WITH STANDARD SPECIFICATIONS FOR PUBLIC WORKS CONSTRUCTION		

NOTES

1. UNLESS OTHERWISE INDICATED THIS STRUCTURE SHALL CONFORM TO ASTM C 478M (ASTM C 478). ALL STEEL SHALL TERMINATE 40 mm (1 1/2") CLEAR OF CONCRETE SURFACES AND ALL CONCRETE SHALL BE PER SSPWC.
2. WHERE A 900 mm (36") MANHOLE IS CONSTRUCTED WITH 900 mm (36") MANHOLE RCP, THE RCP SECTION SHALL CONTAIN A CIRCULAR CAGE AND HAVE A LOAD CARRYING CAPACITY OF AT LEAST 50D (1000D). SPECIAL MANHOLE SHAFT SHALL BE PER THIS STANDARD AND 900 mm (36") MANHOLE FRAME AND COVER SHALL BE PER SPPWC 633.
3. THE MANHOLE SHAFT AND RINGS MAY BE PLAIN CONCRETE. FOR PLAIN CONCRETE SECTIONS THE MINIMUM THICKNESS SHALL BE 150 mm (6").
4. ALL JOINTS SHALL BE SEALED BY FILLING THE ANNULAR SPACES WITH CLASS C MORTAR. THE INSIDE OF THE SHAFT AT EACH JOINT SHALL BE WIPED CLEAN OF EXCESS MORTAR.
5. PROTECTIVE PLASTIC LINER (T LOCK) OR ENGINEER-APPROVED COATINGS WHERE REQUIRED BY THE PLANS SHALL BE IN ACCORDANCE WITH SSPWC AND THE MANUFACTURER'S DIRECTIONS.
6. STEPS SHALL CONFORM TO SPPWC 635 OR 636. THE TOP STEP SHALL BE PLACED 150 mm (6") BENEATH THE MANHOLE COVER FRAME. UNLESS OTHERWISE SHOWN, STEPS SHALL BE UNIFORMLY SPACED 350 mm (14") TO 375 mm (15") OC.
7. THE PRECAST CONCRETE MANHOLE STRUCTURES WILL BE INSPECTED BY THE ENGINEER WHO WILL INDICATE ACCEPTANCE FOR SHIPMENT TO THE JOB BY MARKING THE STRUCTURES WITH THE AGENCY'S STAMP.
8. THE VERTICAL SIDES OF THE MANHOLE SHAFT SHALL BE LOCATED ABOVE AND IN LINE WITH THE SIDE OF THE STORM DRAIN CONDUIT.
9. CONSTRUCT MANHOLE SAFETY LEDGE PER SPPWC 330 IF DEPTH OF MANHOLE TO INVERT IS GREATER THAN 6 m (20') AND MANHOLE SHAFT IS GREATER THAN 3 m (10').
10. THE FOLLOWING SPPWC ARE INCORPORATED HEREIN:

633 914 mm (36") MANHOLE FRAME AND COVER
635 STEEL STEP
636 POLYPROPYLENE PLASTIC STEP

STANDARD PLANS FOR PUBLIC WORKS CONSTRUCTION

MANHOLE SHAFT
900 mm (36") WITHOUT REDUCER

STANDARD PLAN
METRIC

326-1

SHEET 2 OF 2