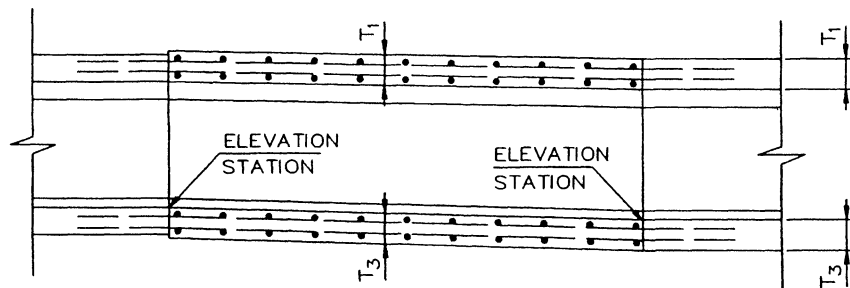
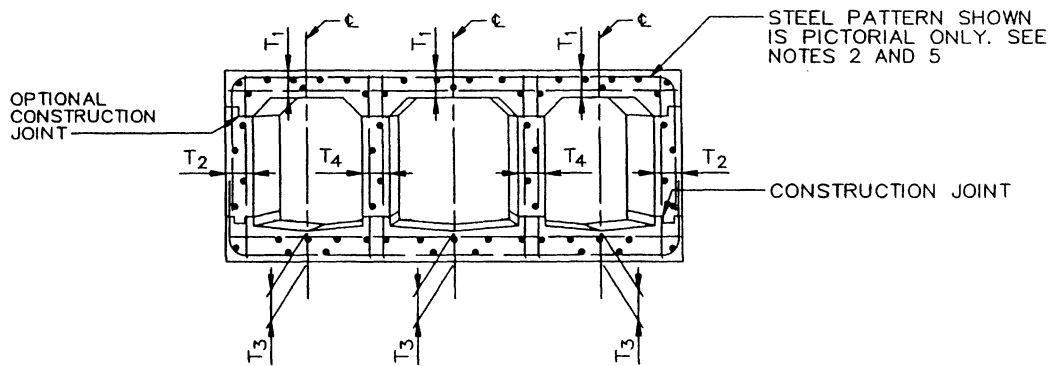


PLAN



SECTION A-A



SECTION B-B

STANDARD PLANS FOR PUBLIC WORKS CONSTRUCTION

PROMULGATED BY THE
PUBLIC WORKS STANDARDS INC.
GREENBOOK COMMITTEE
1992
REV. 1995

**TRANSITION STRUCTURE
TRIPLE RCB TO TRIPLE RCB**

USE WITH STANDARD SPECIFICATIONS FOR PUBLIC WORKS CONSTRUCTION

STANDARD PLAN
METRIC

346-1

SHEET 1 OF 2

NOTES

1. THE HORIZONTAL ANGLE OF DIVERGENCE OR CONVERGENCE, θ , SHALL NOT EXCEED 5° 45'.
2. REINFORCING STEEL BAR SIZE, SPACING AND OUTSIDE COVER SHALL BE THAT OF THE LARGER SECTION. FOR CURVED TRANSITIONS, SPACE BARS ON CENTERLINE AND PLACE TRANSVERSE STEEL RADially. BAR LENGTHS AND DIMENSIONS SHALL VARY UNIFORMLY THROUGHOUT TRANSITION. LONGITUDINAL BARS SHALL BE CONTINUED THROUGH THE JOINTS WITH THE TRANSITION STRUCTURE.
3. THE CONCRETE THICKNESS SHALL BE THAT OF THE LARGER RCB SECTION.
4. $f'_c = 28 \text{ MPa}$ (4000 PSI) AT 28 DAYS AND THE CONCRETE SHALL BE THE SAME MIX AS THE ADJACENT RCB.
5. ALL STEEL, EXCEPT LONGITUDINAL STEEL SHALL BE GRADE 400 (60) BILLET STEEL CONFORMING TO ASTM A 615 M (A 615) AND SHALL TERMINATE 40 mm (1 1/2") CLEAR OF CONCRETE SURFACE UNLESS OTHERWISE SHOWN.
6. TRANSVERSE JOINT KEYWAYS, AS DETAILED FOR LONGITUDINAL JOINT KEYWAYS AT BASE OF OUTER WALLS ON THE PLANS, SHALL BE PLACED IN BOTH SLABS AND WALLS AT THE END OF EACH POUR.
7. THE TRANSITION STRUCTURE SHALL BE CONSTRUCTED IN ACCORDANCE WITH THE STRUCTURAL NOTES APPLYING TO RCB STRUCTURES SHOWN ON THE PLANS.

STANDARD PLANS FOR PUBLIC WORKS CONSTRUCTION

**TRANSITION STRUCTURE
TRIPLE RCB TO TRIPLE RCB**

STANDARD PLAN
METRIC

346-1

SHEET 2 OF 2