

STANDARD PLANS FOR PUBLIC WORKS CONSTRUCTION

PROMULGATED BY THE
PUBLIC WORKS STANDARDS INC.
GREENBOOK COMMITTEE
1993
REV. 2005

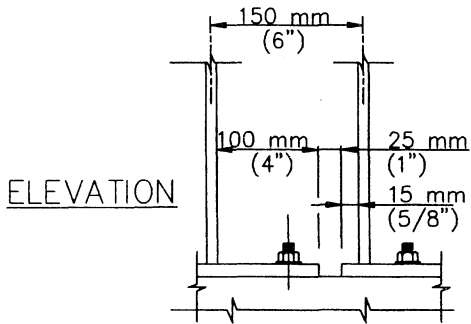
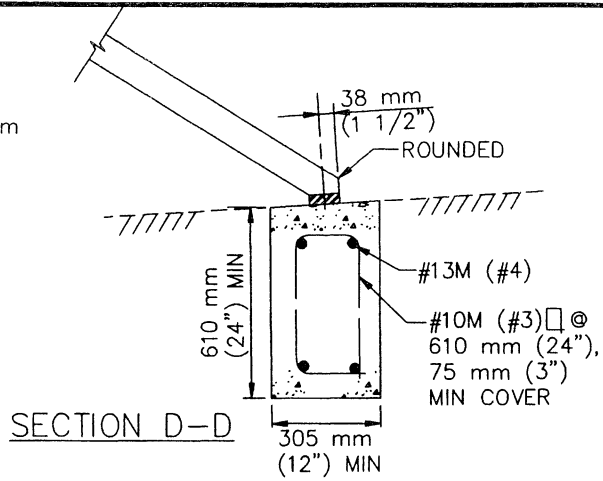
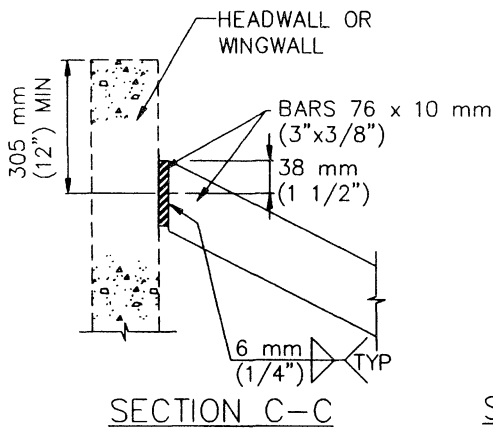
TRASH RACK (INCLINED)

USE WITH STANDARD SPECIFICATIONS FOR PUBLIC WORKS CONSTRUCTION

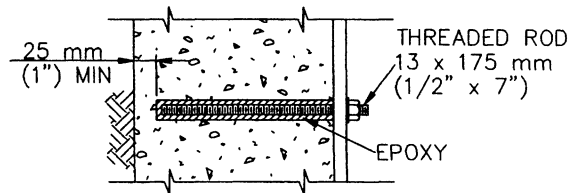
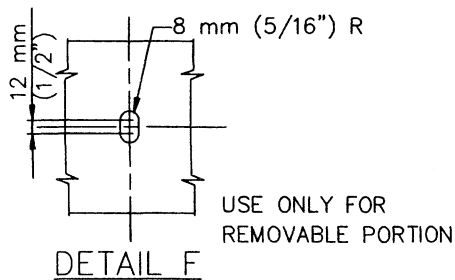
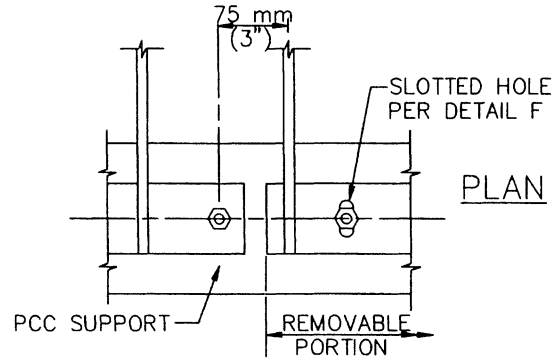
STANDARD PLAN
METRIC

361-1

SHEET 1 OF 2



DETAIL E



NOTES

1. MAXIMUM SIZE OF OUTLET FOR THIS RACK IS 1200 mm (48") PIPE OR 1.2 m (48") WIDE RCB. MAXIMUM LENGTH OF RACK L_R IS 3 m (10'-0").
2. ADJUST L_R SO THAT THE SLOPE OF THE RACK IS APPROXIMATELY 2 HORIZONTAL TO 1 VERTICAL.
3. THE PCC SUPPORT IS NOT NEEDED IF THE INLET STRUCTURE HAS A SUITABLE CUTOFF WALL. THE PCC SUPPORT SHALL NOT REPLACE THE CUTOFF WALL.
4. GALVANIZE RACK AFTER FABRICATION.
5. BOLTS SHALL BE 13 x 175 mm (1/2"x7"). BOLTS FOR REMOVABLE PORTION SHALL BE STAINLESS STEEL. PROVIDE WASHERS AT EACH BOLT.
6. SUBMIT SHOP DRAWINGS PER SSPWC 2-5.3.3. FOR RETROFIT WORK, INCLUDE DETAILS FOR ATTACHMENT TO EXISTING STRUCTURE.

STANDARD PLANS FOR PUBLIC WORKS CONSTRUCTION

TRASH RACK (INCLINED)

STANDARD PLAN METRIC

361-1

SHEET 2 OF 2