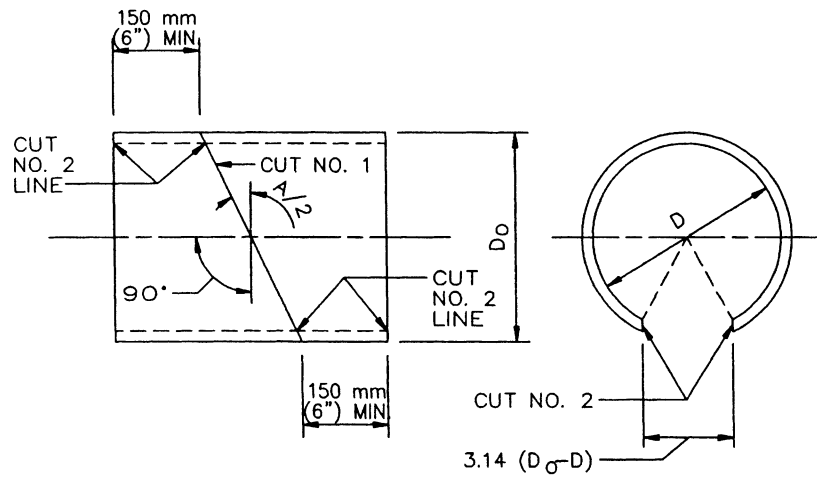
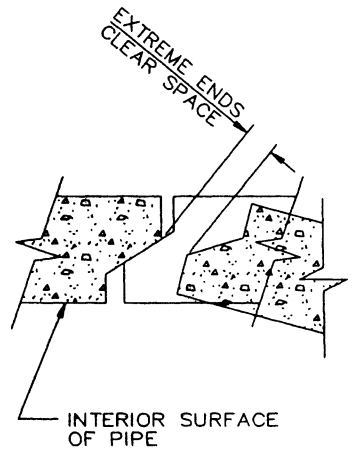


D	L	T
300 mm (12")	300 mm (12")	100 mm (4")
450 mm (18")	300 mm (12")	125 mm (5")
600 mm (24")	300 mm (12")	150 mm (6")
750 mm (30")	450 mm (18")	175 mm (7")
900 mm (36")	450 mm (18")	225 mm (9")
1050 mm (42")	450 mm (18")	225 mm (9")
1200 mm (48")	450 mm (18")	250 mm (10")
1425 mm (57")	450 mm (18")	250 mm (10")
1500 mm (60")	525 mm (21")	275 mm (11")
1650 mm (66")	525 mm (21")	275 mm (11")
1800 mm (72")	600 mm (24")	300 mm (12")



DETAIL "A" (SEE NOTE 10)
SONO-TUBE, OR EQUAL, INTERIOR FORM



DETAIL "B"
TYPICAL JOINT FOR
REINFORCED CONCRETE PIPE

CUT NO. 1: SAW THE TUBE AT AN ANGLE OF A/2 WITH THE TRANSVERSE PLANE. REVERSE ONE SECTION AND TAPE BOTH SECTIONS TOGETHER FORMING THE DEFLECTION ANGLE A.
CUT NO. 2: SAW THE TUBE LONGITUDINALLY REMOVING A STRIP 3.14 (D_o-D) WIDE ON THE SIDE OPPOSITE THE OPEN JOINT. BEND THE ENDS OF THE CUT TOGETHER AND INSERT THE TUBE IN THE PIPE.

STANDARD PLANS FOR PUBLIC WORKS CONSTRUCTION		
PROMULGATED BY THE PUBLIC WORKS STANDARDS INC. GREENBOOK COMMITTEE 1992 REV. 1996, 1997, 1999	CONCRETE COLLAR FOR RCP 300 mm (12") THROUGH 1800 mm (72")	STANDARD PLAN METRIC 380-3
USE WITH STANDARD SPECIFICATIONS FOR PUBLIC WORKS CONSTRUCTION		SHEET 1 OF 2

NOTES

1. A CONCRETE COLLAR IS REQUIRED WHERE THE CHANGE IN GRADE EXCEEDS 10%.
2. FOR CURVE JOINTS (SEE DETAIL B, SHEET 1)
 IF THE EXTREME ENDS OF THE PIPE LEAVE A CLEAR SPACE THAT IS GREATER THAN 25 mm (1"), BUT IS LESS THAN 75 mm (3") A CONCRETE COVER IS REQUIRED IN ACCORDANCE WITH SSPWC 306-1.2.4.
 IF THE EXTREME ENDS OF THE PIPE LEAVE A CLEAR SPACE THAT IS EQUAL TO OR GREATER THAN 75 mm (3"), BUT LESS THAN 150 mm (6"), A CONCRETE COLLAR IS REQUIRED. IF THE CLEAR SPACE IS 150 mm (6") OR GREATER, A TRANSITION STRUCTURE IS REQUIRED.
3. CONCRETE COLLAR SHALL NOT BE USED FOR A SIZE CHANGE ON THE MAIN LINE.
4. CONNECTOR PIPES
 - A. WHERE PIPES OF DIFFERENT DIAMETERS ARE JOINED WITH A CONCRETE COLLAR, L AND T SHALL BE THOSE OF THE LARGER PIPE. $D=D_1$ OR D_2 , WHICHEVER IS GREATER.
 - B. WHEN D_1 IS EQUAL TO OR LESS THAN D_2 , JOIN INVERTS AND WHEN D_1 IS GREATER THAN D_2 , JOIN SOFFITS.
5. FOR PIPE LARGER THAN 1800 mm (72") SPECIAL COLLAR DETAILS ARE REQUIRED.
6. FOR PIPE SIZE NOT LISTED USE NEXT SIZE LARGER.
7. REINFORCEMENT SHALL CONFORM TO ASTM A 615 M (A 615) GRADE 300 (40).
8. WHERE REINFORCING IS REQUIRED THE DIAMETER OF THE CIRCULAR TIES SHALL BE $D+(2X \text{ WALL THICKNESS}) + T$.
9. REINFORCING SHALL BE USED WHERE THE PIPE DIAMETER IS GREATER THAN 525 mm (21") AND ON ALL PIPES WHERE THE SPACES BETWEEN THE EXTREME OUTER ENDS IS 75 mm (3") OR LARGER.

CIRCULAR TIES:

PIPE DIAMETER	NO. OF CIRCULAR TIES
525 mm (21") OR LESS	3
600 mm (24") TO 750 mm (30")	3
825 mm (33") TO 1425 mm (57")	4
1500 mm (60") TO 1800 mm (72")	5

WHERE THE SPACE BETWEEN PIPE ENDS EXCEEDS 75 mm (3"), THE NUMBER OF CIRCULAR TIES SHALL BE INCREASED TO MAINTAIN AN APPROXIMATE SPACING OF 150 mm (6") O.C.

10. WHERE THE PIPE IS 525 mm (21") OR LESS IN DIAMETER AN INTERIOR FORM OF UNSEALED SONO-TUBE OR EQUAL SHALL BE USED TO PROVIDE A SMOOTH INTERIOR JOINT. THE PAPER FORM MAY BE LEFT IN PLACE (SEE DETAIL A). WHEN THE PIPE IS 600 mm (24") OR LARGER A REMOVABLE INTERIOR FORM SHALL BE USED OR THE INTERIOR JOINT SHALL BE COMPLETELY FILLED WITH MORTAR AND NEATLY POINTED.

STANDARD PLANS FOR PUBLIC WORKS CONSTRUCTION

**CONCRETE COLLAR FOR RCP
300 mm (12") THROUGH 1800 mm (72")**

STANDARD PLAN
METRIC

380-3

SHEET 2 OF 2