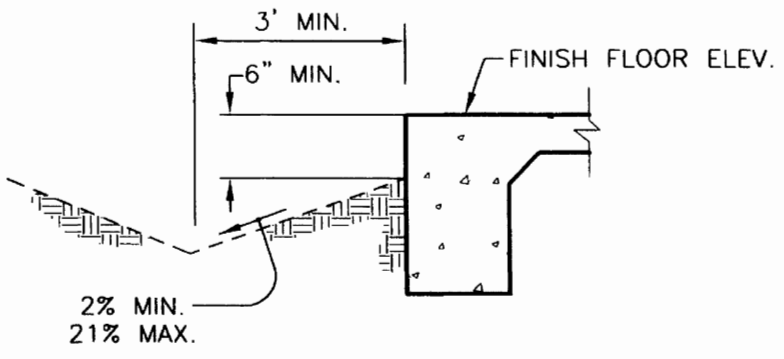


PLAN
N.T.S.

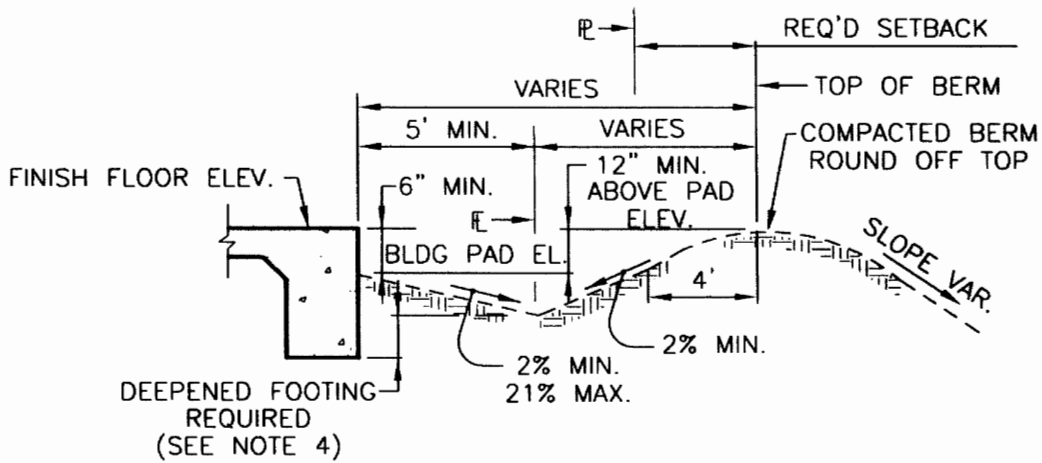


SECTION A-A
N.T.S.

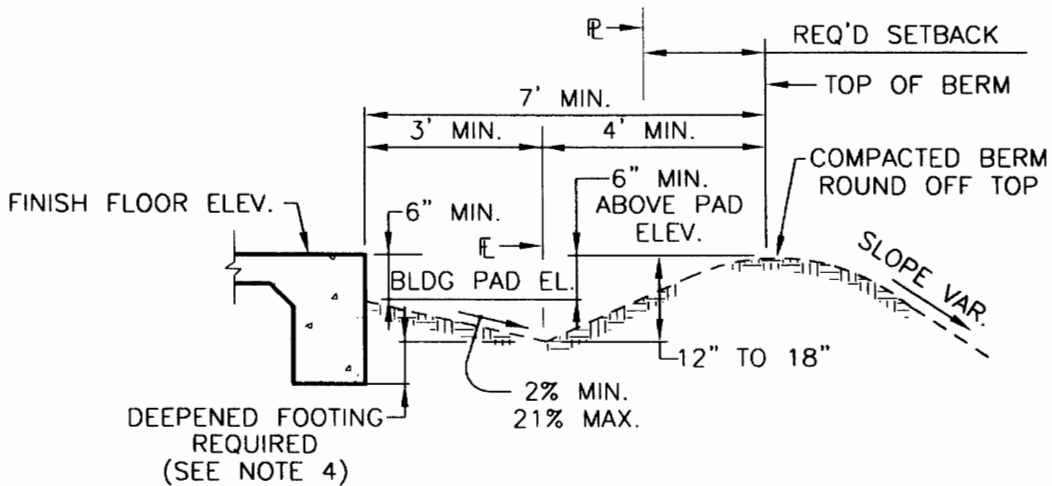
REC'D	<i>[Signature]</i> 11/17/04	APP	<i>[Signature]</i> 11/18/04		
	DEPUTY CITY ENGINEER		CITY ENGINEER	REVISED	BY

CITY OF ANAHEIM DEPARTMENT OF PUBLIC WORKS

LOT GRADING AND DRAINAGE			STANDARD DETAIL NO.
USE WITH STANDARD SPECIFICATIONS FOR PUBLIC WORKS CONSTRUCTION			390
			SHEET 1 OF 3

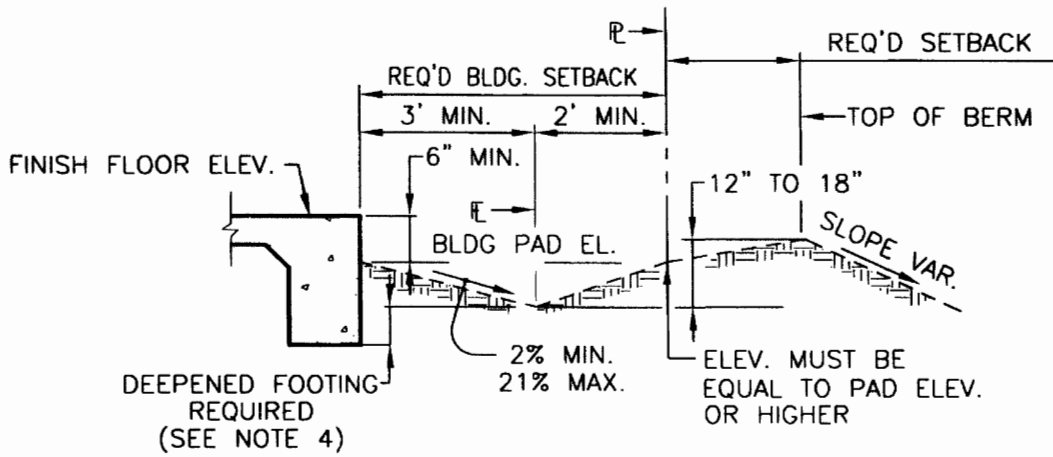


SECTION B-B
TYPICAL BERM DETAIL



SECTION C-C
N.T.S.

REC'D	<i>[Signature]</i> DEPUTY CITY ENGINEER	11/17/04 DATE	APP.	<i>[Signature]</i> D.P.W. / CITY ENGINEER	11-18-04 DATE	REVISED	BY
CITY OF ANAHEIM DEPARTMENT OF PUBLIC WORKS							
LOT GRADING AND DRAINAGE						STANDARD DETAIL NO.	
USE WITH STANDARD SPECIFICATIONS FOR PUBLIC WORKS CONSTRUCTION						390	
						SHEET 2 OF 3	



SECTION C-C (ALTERNATE)
N.T.S.

NOTES:

1. SWALES TO BE CUT AT 1% AT ROUGH GRADING AND PRIOR TO BUILDING CONSTRUCTION.
2. SLOPE OF DRAINAGE SWALES SHALL BE 1% MIN.
3. ELEVATION AT HIGH POINT OF SWALE TO BE 0.10' MIN. BELOW PAD ELEVATION.
4. IN NO CASE SHALL THE SWALE FLOW LINE BE LOWER THAN THE BOTTOM OF THE FOOTING WITHIN 5' OF THE FOOTING.
5. NO COMMON SIDYARD DRAINAGE SWALES WILL BE ALLOWED.

REC'D		11/17/04	DATE	APP.		11-18-04	DATE	REVISED	BY
CITY OF ANAHEIM DEPARTMENT OF PUBLIC WORKS									
LOT GRADING AND DRAINAGE								STANDARD DETAIL NO.	
USE WITH STANDARD SPECIFICATIONS FOR PUBLIC WORKS CONSTRUCTION								390	
								SHEET 3 OF 3	