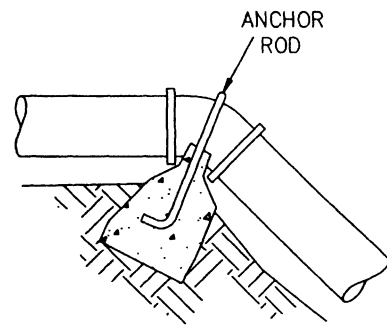
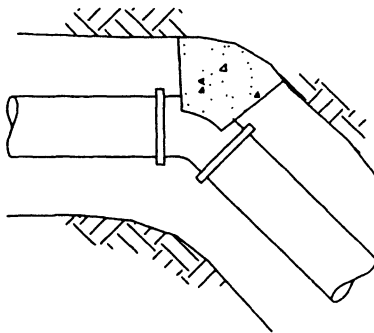
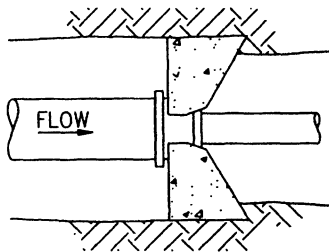
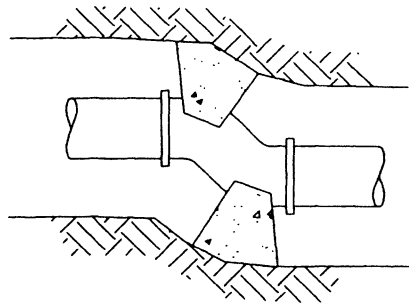
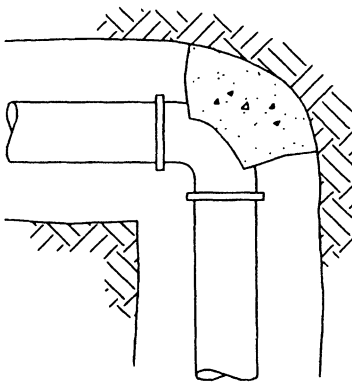
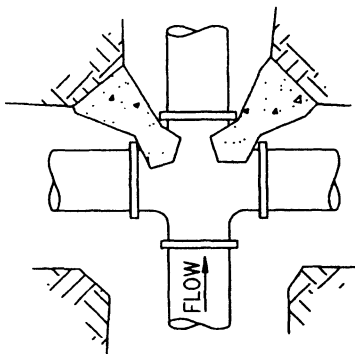
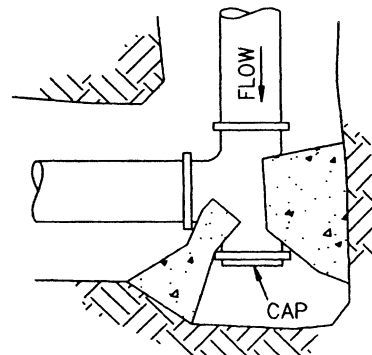
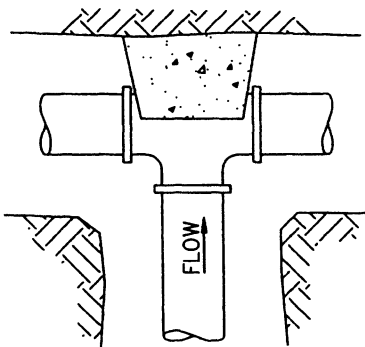
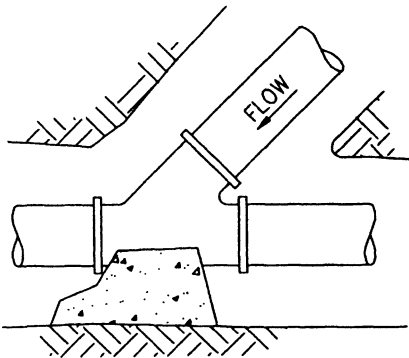


ELEVATION



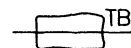
ELEVATION



NOTES:

1. THRUST BLOCKS SHALL BE USED FOR PLASTIC PIPE 75 mm DIAMETER OR LARGER.
2. THRUST BLOCKS SHALL BE PCC, 265-C-14 (450-C-2000).
3. ANCHOR RODS SHALL BE GALVANIZED STEEL, 12 mm (1/2") DIAMETER, WRAPPED AROUND PIPE.
4. SIZE OF THRUST BLOCKS SHALL BE AS SHOWN ON PLANS.
5. ALL VIEWS ARE PLAN VIEW UNLESS OTHERWISE SHOWN.

SYMBOL ON PLAN



STANDARD PLANS FOR PUBLIC WORKS CONSTRUCTION

PROMULGATED BY THE  
PUBLIC WORKS STANDARDS INC.  
GREENBOOK COMMITTEE  
1984  
REV. 1996, 2005

THRUST BLOCKS FOR PLASTIC PIPE

USE WITH STANDARD SPECIFICATIONS FOR PUBLIC WORKS CONSTRUCTION

STANDARD PLAN  
METRIC  
508-2

SHEET 1 OF 1