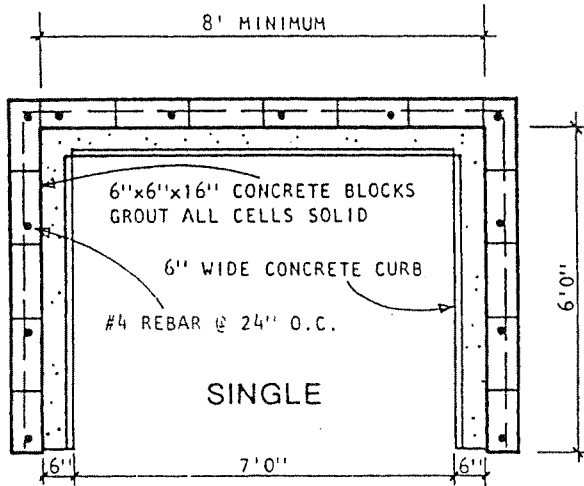


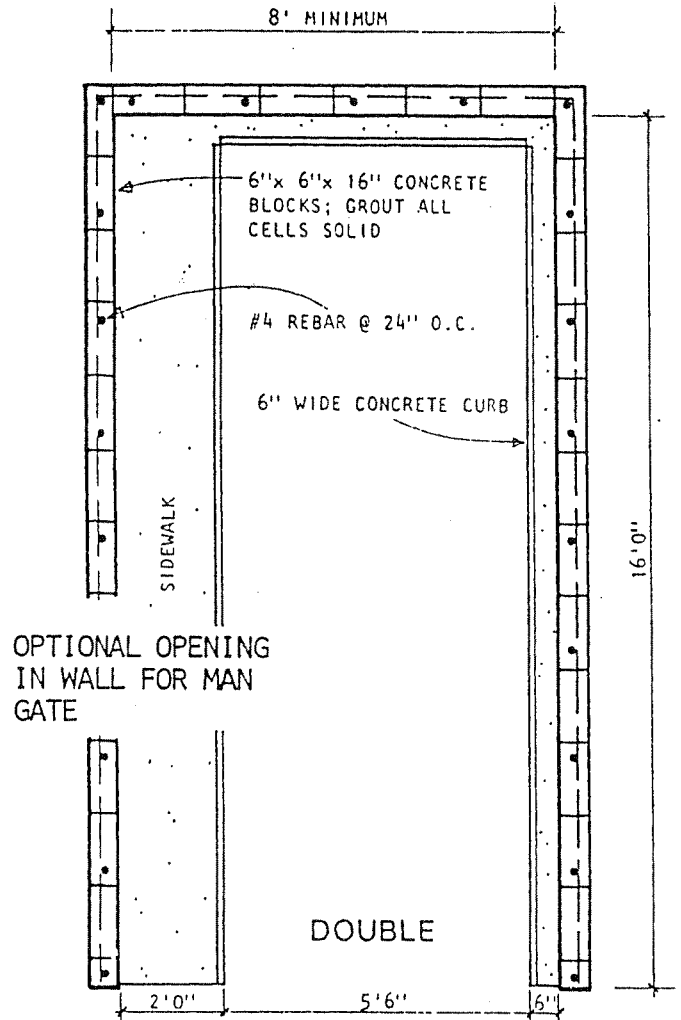
CITY OF ANAHEIM - TRASH ENCLOSURE REQUIREMENTS

NOTES:

1. Refuse container enclosure to be located clear of other structures where possible, but accessible to both deposit and pickup.
2. Slab to meet finished grade. If slab does not meet finished grade, provide ramp sloped at 1/4" per foot maximum.
3. Location, size and number of structures will be determined by the Sanitation Inspector prior to issuance of building permit. For information call 765-6836
4. All hardware to be corrosion resistant.
5. Plans must show refuse areas in detail.

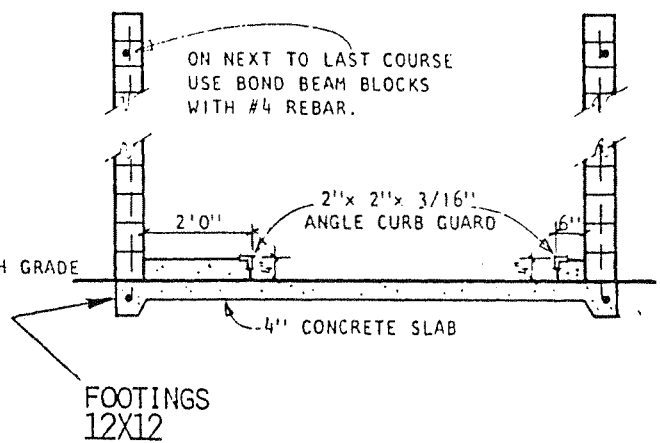
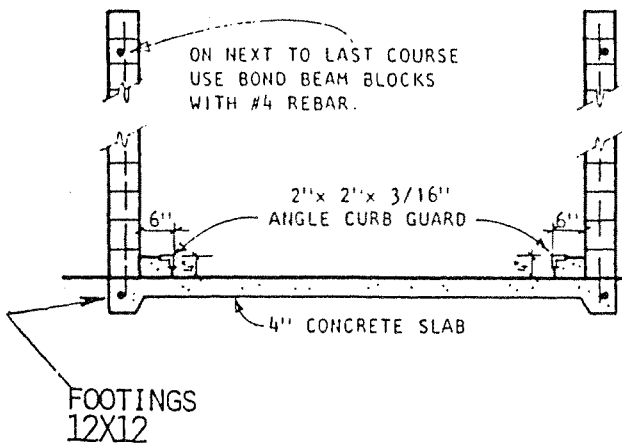


AREA IN FRONT TO REMAIN CLEAR TO ENABLE BINS TO BE ROLLED OUT FOR PICKUP



OPTIONAL OPENING IN WALL FOR MAN GATE

AREA IN FRONT TO REMAIN CLEAR TO ENABLE BINS TO BE ROLLED OUT FOR PICKUP



CITY OF ANAHEIM

Refuse Container Enclosure for Multiple- Family, Residential, Commercial and Industrial Use.