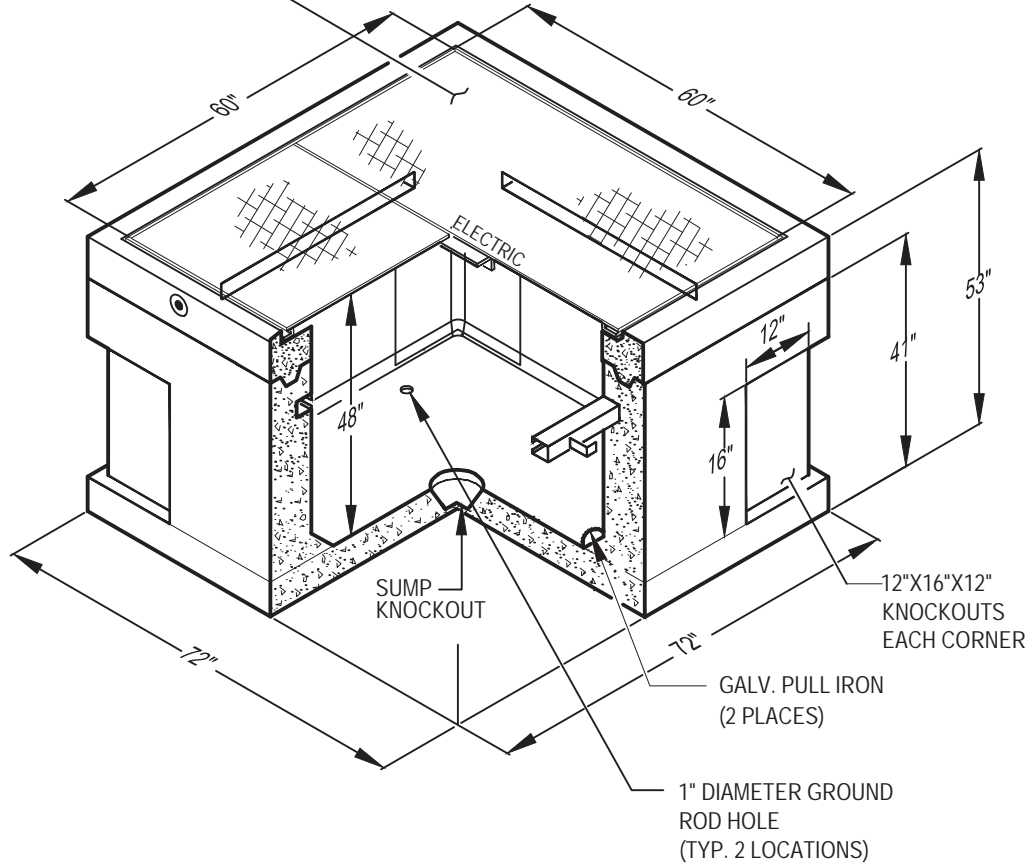


**SCOPE:**

THIS STANDARD SHOWS REQUIREMENTS FOR EASEMENT CLEARANCE AND INSTALLATION OF 5'x5' VAULTS FOR USE WITH 15KV, 200 AMP, GAS-SWITCHES.

TWO PIECE GALV. PARKWAY  
TORSION HINGED COVER  
MARKED "ELECTRIC"



MANUFACTURER	STYLE	5 X 5 VAULT	5 X 5 INTERCEPT VAULT
JENSEN	PARKWAY	K55-FP48-16P	K55-FP48-INT-16P
JENSEN	LIGHT TRAFFIC	K55-FP48-16T	K55-FP48-INT-16T
UTILITY VAULT	PARKWAY	COFA 55-48-P	COFA 55-48-INT-P
UTILITY VAULT	LIGHT TRAFFIC	COFA 55-48-T	COFA 55-48-INT-T

FILENAME: CU1600-15B REV5

ADDED PAGES 4 & 5

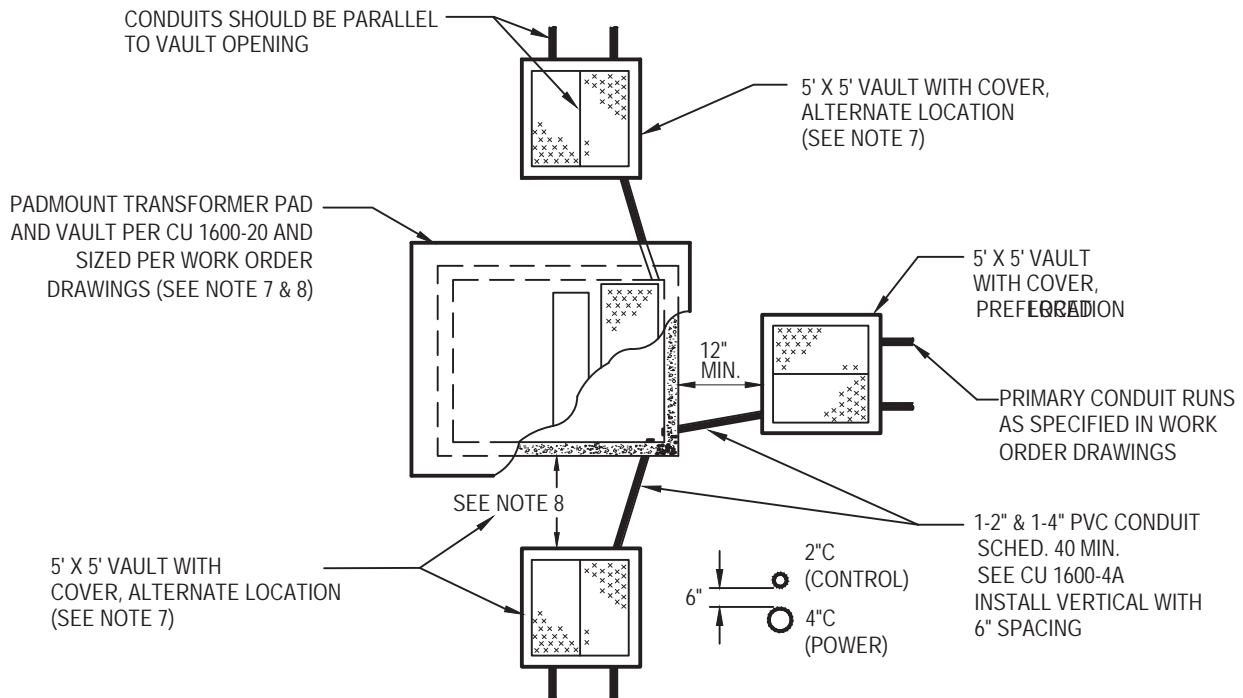
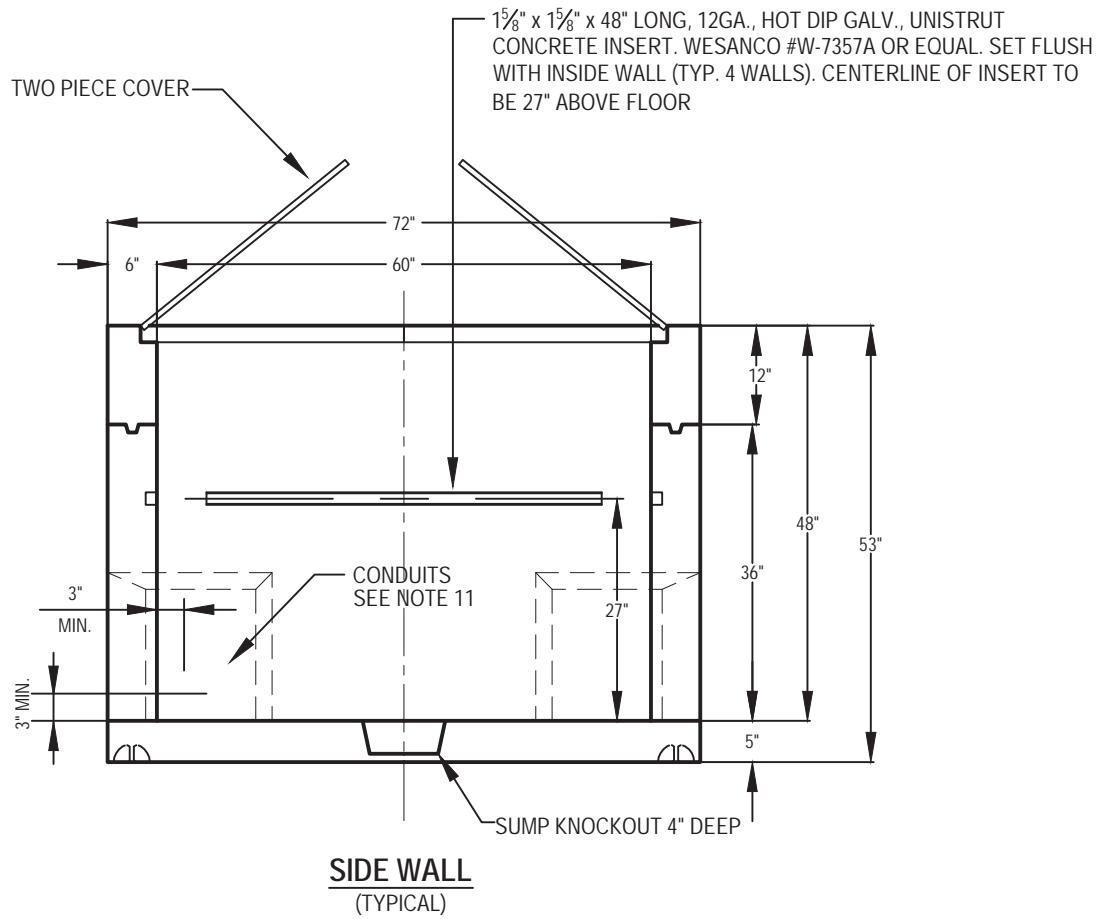
**CITY OF ANAHEIM**  
PUBLIC UTILITIES DEPARTMENT  
ELECTRICAL DIVISION  
T&D CONSTRUCTION STANDARDS

APPROVALS				
PREP BY	T&D MGR	SYS PLN MGR	OPS MGR	SUB MAINT
MH	EB	-	CMK	-

REVISION KEYS: ADDED / REVISED TEXT ADDED / REVISED MATERIAL

**5' x 5' VAULT WITH HINGED COVER  
FOR 12KV SUBMERSIBLE SWITCH**

REVISION NO.	5
ISSUE DATE :	01-14
SHEET	1 OF 5
CONSTRUCTION STANDARD:	CU 1600-15B



**LOCATION DETAIL WITH PADMOUNT TRANSFORMER**

FILENAME: CU1600-15B REV5

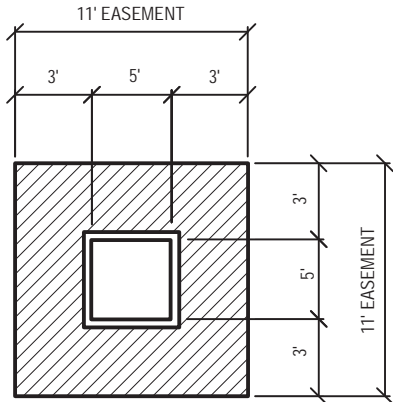
ADDED PAGES 4 & 5

<b>CITY OF ANAHEIM</b> PUBLIC UTILITIES DEPARTMENT ELECTRICAL DIVISION T&D CONSTRUCTION STANDARDS				
APPROVALS				
PREP BY	T&D MGR	SYS PLN MGR	OPS MGR	SUB MAINT
MH	EB	-	CMR	-

REVISION KEYS:	ADDED / REVISED TEXT	ADDED / REVISED MATERIAL	NEW SHEET
----------------	----------------------	--------------------------	-----------

**5' x 5' VAULT WITH HINGED COVER  
FOR 12KV SUBMERSIBLE SWITCH**

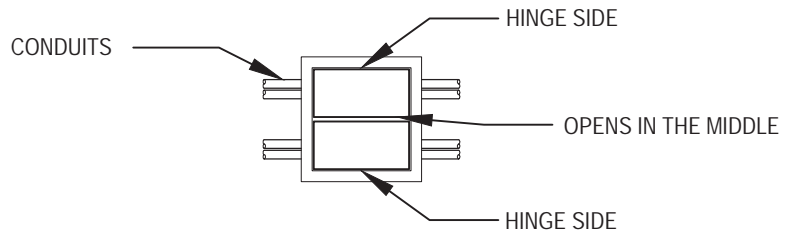
REVISION NO.	5
ISSUE DATE :	01-14
SHEET	2 OF 5
CONSTRUCTION STANDARD:	CU 1600-15B



**5' x 5' VAULT  
EASEMENT CLEARANCE REQUIREMENT**

**NOTES:**

1. VAULT DESIGNED IN ACCORDANCE WITH AASHTO H-20-44 TRAFFIC BRIDGE LOADING USING 5,500 PSI COMPRESSIVE STRENGTH CONCRETE AND 60,000 PSI YIELD STRENGTH ASTMA-706 STEEL REINFORCEMENT PER CALC
2. COVER DESIGNED FOR PARKWAY LOADING 300 P.S.F. AND FOR TRAFFIC LOADING H-20.
3. VAULT TO BE PLACED ON A MIN. 6" BASE OF 3/4" CRUSHED ROCK FOR EASE OF INSTALLATION AND EVEN LOAD DISTRIBUTION.
4. EXCAVATION PER CU 1600-4B, MINIMUM SIZE: 72" X 72" X DEPTH REQUIRED.
5. ALL JOINTS SHALL BE GASKETED AND WATERTIGHT.
6. ONLY TONGUE AND GROVE GRADE RINGS SHALL BE ADDED FOR GREATER DEPTHS.
7. WHEN INSTALLED IN CONJUNCTION WITH PADMOUNT TRANSFORMER PAD AND VAULT INSTALLATION, SEE LOCATION DETAIL ABOVE OR AS SPECIFIED ON WORK ORDER DRAWINGS.
8. FOR ALTERNATE LOCATIONS SHOWN ABOVE, THIS DIMENSION SHALL BE:  
18" MIN. WITH 6' X 8' TRANSFORMER PAD  
30" MIN. WITH 8' X 10' TRANSFORMER PAD.
9. INSTALL EQUIPMENT PROTECTIVE POSTS PER CU 1600-9 AND AS SHOWN ON WORK ORDER DRAWINGS OR REQUIRED BY UTILITY ELECTRICAL INSPECTOR.
10. INSTALL GROUND RODS, TWO (2) EACH PER CO 782, AND AS SHOWN ON WORK ORDER DRAWINGS OR REQUIRED BY UTILITY INSPECTOR.
11. WHEN INSTALLING THE COVER, ENSURE THAT DIRECTION OF OPENING SHOULD BE PARALLEL TO THE CONDUITS. SEE DETAIL BELOW.



FILENAME: CU1600-15B REV5

ADDED PAGES 4 & 5

<b>CITY OF ANAHEIM</b> PUBLIC UTILITIES DEPARTMENT ELECTRICAL DIVISION T&D CONSTRUCTION STANDARDS		REVISION KEYS:		ADDED / REVISED TEXT	ADDED / REVISED MATERIAL	NEW SHEET
		<b>5' x 5' VAULT WITH HINGED COVER FOR 12KV SUBMERSIBLE SWITCH</b>				
APPROVALS						
PREP BY	T&D MGR	SYS PLN MGR	OPS MGR	SUB MAINT		
MH	EB	-	GML	-		

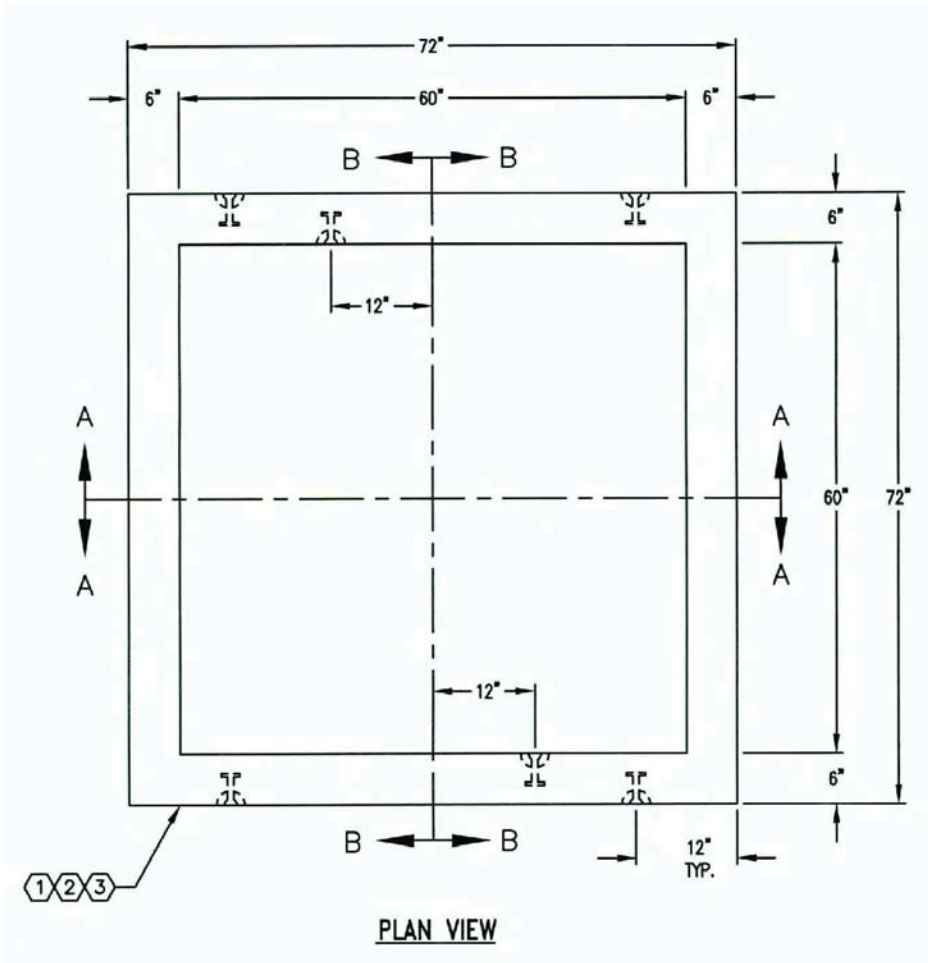
## 5'-0" X 5'-0" RISER SECTIONS

**NOTES:**

- CONCRETE DESIGNED IN ACCORDANCE WITH AASHTO H-20-44 TRAFFIC BRIDGE LOADING USING 5,500 PSI [37.92MPa] COMPRESSIVE STRENGTH CONCRETE AND 60,000 PSI [413.2MPa] YIELD STRENGTH ASTM A-706 STEEL REINFORCEMENT PER CALCS. #31395.

**PB55-RISERS**

1. PB55-R12, 12" RISER SECTION (CG-55-R12). WT. 1650 lbs.
2. PB55-R18, 18" RISER SECTION (CG-55-R18). WT. 2475 lbs.
3. PB55-R24, 24" RISER SECTION (CG-55-R24). WT. 3300 lbs.
4. 2 TON x 3 3/8" GALV. RISS FOR HANDLING. (2) CORE MTD., (4) SHELL. MTD.



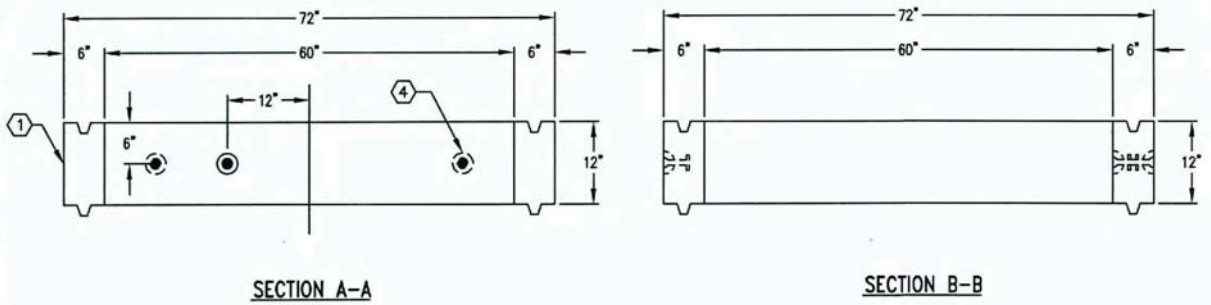
PB55-RISERS

FILENAME: CU1600-15B REV5

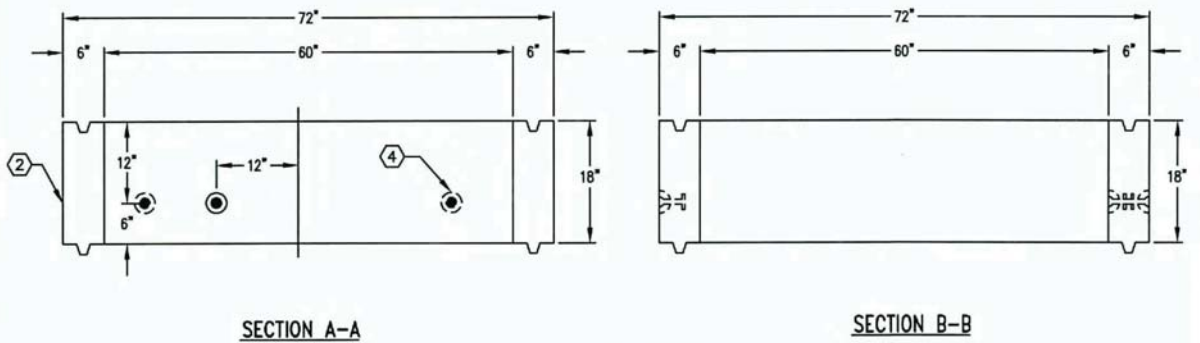
ADDED PAGES 4 & 5

<b>CITY OF ANAHEIM</b> PUBLIC UTILITIES DEPARTMENT ELECTRICAL DIVISION T&D CONSTRUCTION STANDARDS		REVISION KEYS:	[Pattern] ADDED / REVISED TEXT                    [Arrow] ADDED / REVISED MATERIAL	NEW SHEET
		<b>5' x 5' VAULT WITH HINGED COVER FOR 12KV SUBMERSIBLE SWITCH</b>		
APPROVALS				
PREP BY	T&D MGR	SYS PLN MGR	OPS MGR	SUB MAINT
<i>MH</i>	<i>EB</i>	-	<i>CMR</i>	-

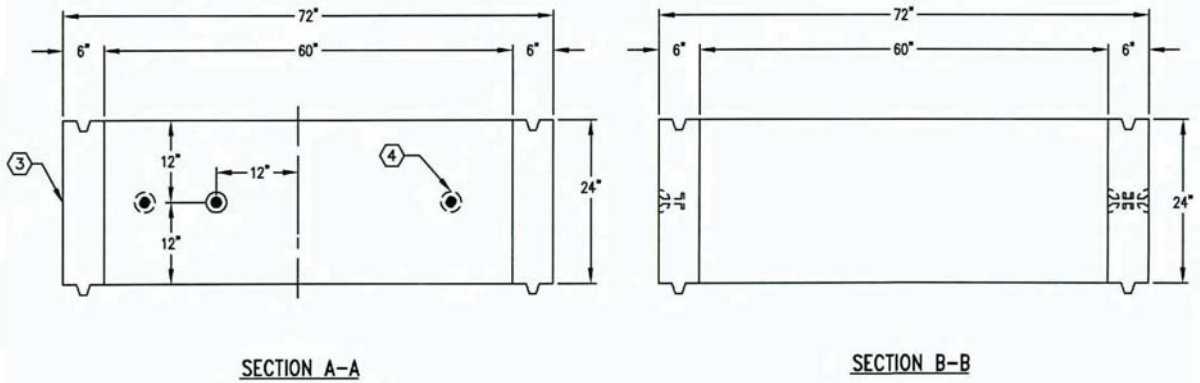
FILENAME: CU1600-15B REV5



**PB55-R12**



**PB55-R18**



**PB55-R24**

**PB55-RISERS**

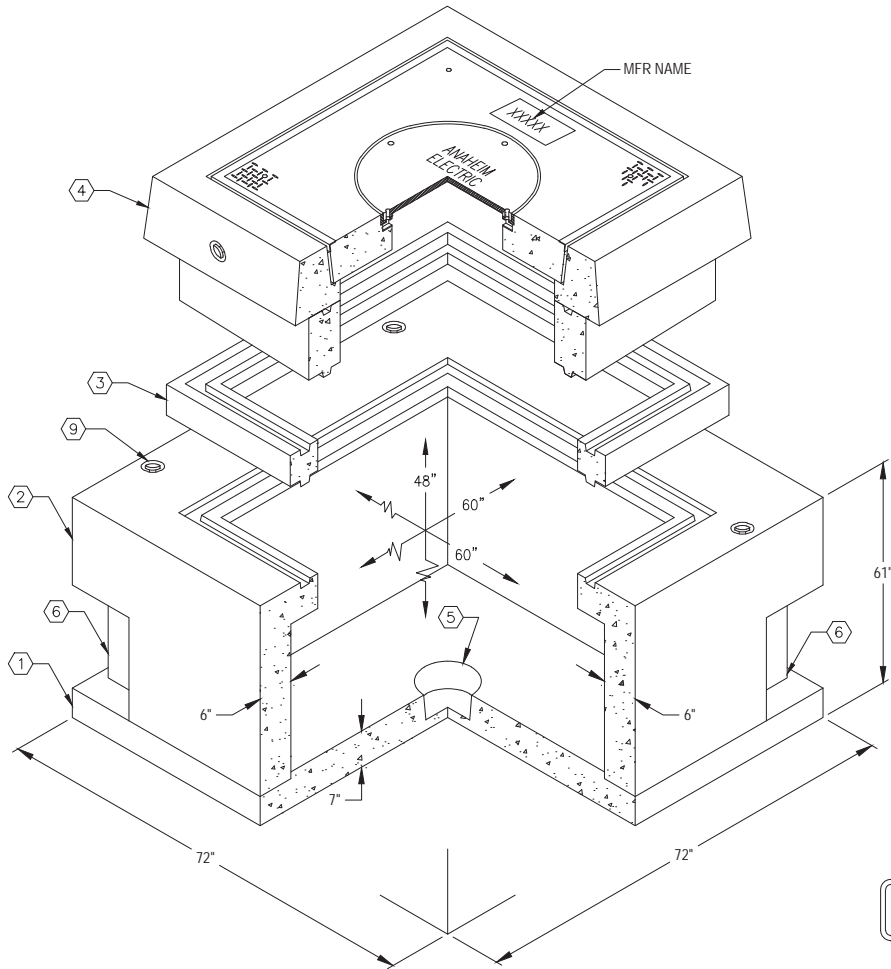
ADDED PAGES 4 & 5

<b>CITY OF ANAHEIM</b> PUBLIC UTILITIES DEPARTMENT ELECTRICAL DIVISION T&D CONSTRUCTION STANDARDS		REVISION KEYS:	ADDED / REVISED TEXT	ADDED / REVISED MATERIAL	NEW SHEET
		<b>5' x 5' VAULT WITH HINGED COVER          FOR 12KV SUBMERSIBLE SWITCH</b>			
ISSUE DATE: <b>01-14</b>					
SHEET <b>5</b> OF <b>5</b>					
APPROVALS PREP BY T&D MGR    SYS PLN MGR    OPS MGR    SUB MAINT				CONSTRUCTION STANDARD: <b>CU 1600-15B</b>	
-        -					

## 5'-0" x 5'-0" x 4'-0" DEEP INTERCEPT TRAFFIC HS-20 MANHOLE

**NOTES**

- MANHOLE DESIGNED IN ACCORDANCE WITH AASHTO HS-20-44 TRAFFIC BRIDGE LOADING USING 5,500 PSI [37.92MPa] COMPRESSIVE STRENGTH CONCRETE AND 60,000 PSI [413.2MPa] YIELD STRENGTH ASTM A-706 STEEL REINFORCEMENT PER CALCS.
  - MANHOLE TO BE PLACED ON A 6" BASE OF CRUSHER RUN FOR EASE OF INSTALLATION AND EVEN LOAD DISTRIBUTION.
  - LIMITS OF COVER OVER ROOF SECTION IS 1'-0" min. TO 4'-0" max.
  - WATER TABLE AT 3'-0" BELOW GRADE.
  - THE FOLLOWING MATERIAL IS TO BE SHIPPED WITH THE MANHOLE:
    - (a) 7/8" x 1 3/4" GASKET (45 FT. REQUIRED).
1. UV55-B-S13, 6" BASE SLAB (R55-B-S13). WT. 3,150 lbs.
  2. 42" TOP SECTION (R55-T42-S13). WT. 6,850 lbs.
  3. 12" EXTENSION SECTION.
  4. 4'x4' TRAFFIC VAULT NECK W/ CONCRETE COVER.
  5. 12" x 13" DIA. SUMP x 5" DEEP (5000-338). LOCATE AS FOLLOWS: BOTTOM SECTION (1) CORE MTD.
  6. 12" x 12" x 16" K.O. x 4 1/2" DEEP. DRAFT AS FOLLOWS: T=S1=S2=2", B=0". LOCATE AS FOLLOWS: BOTTOM SECTION (4) SHELL MTD.
  7. 1" DIA. BLIND GROUND ROD HOLE. LOCATE AS FOLLOWS: BOTTOM SECTION (2) CORE MTD.
  8. 4 TON x 9 1/2" GALVANIZED RISS FOR HANDLING. LOCATE AS FOLLOWS: BOTTOM SECTION (4) SURFACE MTD.; TOP SECTION (4) SURFACE MTD.
  9. 4 TON x 4 3/4" GALVANIZED RISS FOR HANDLING. LOCATE AS FOLLOWS: BOTTOM SECTION (4) CORE MTD.
  10. 7/8" x 3 3/8" GALVANIZED PULL IRON (08-2192). LOCATE AS FOLLOWS: TOP SECTION (4) CORE MTD.
  11. 1 5/8" x 1 5/8" x 48" LONG GALV. UNISTRUT CAST-IN (55-21-048) LOCATE AS FOLLOWS: TOP SECTION (4) CORE MTD.
  12. 97" LONG GALV HANGING LADDER W/ STEP KNURL. (IF APPLICABLE)



MINIMUM EXCAVATION SIZE:  
9'-0" x 9'-0" x DEPTH REQ'D.

MANUFACTURER	PART. NO.	COMPATIBLE UNIT
JENSEN	K55-FM48-16	V5X5BOX-TR-CONT
OLD CASTLE	55-48INTVAULT	

ADD OLD CASTLE, ELIMINATED OPTION 1

FILENAME: CU1600-15C REV2

<p><b>CITY OF ANAHEIM</b> PUBLIC UTILITIES DEPARTMENT ELECTRICAL DIVISION T&amp;D CONSTRUCTION STANDARDS</p>		REVISION KEYS:	ADDED / REVISED TEXT	ADDED / REVISED MATERIAL	NEW SHEET	2
		5' x 5' TRAFFIC RATED VAULT				REVISION NO.
APPROVALS				ISSUE DATE :	01-16	
PREP BY	T&D MGR	SYS PLN MGR	OPS MGR	SUB MAINT	SHEET 1 OF 5	
MH	EB	---	DA	---	CONSTRUCTION STANDARD:	
					CU 1600-15C	