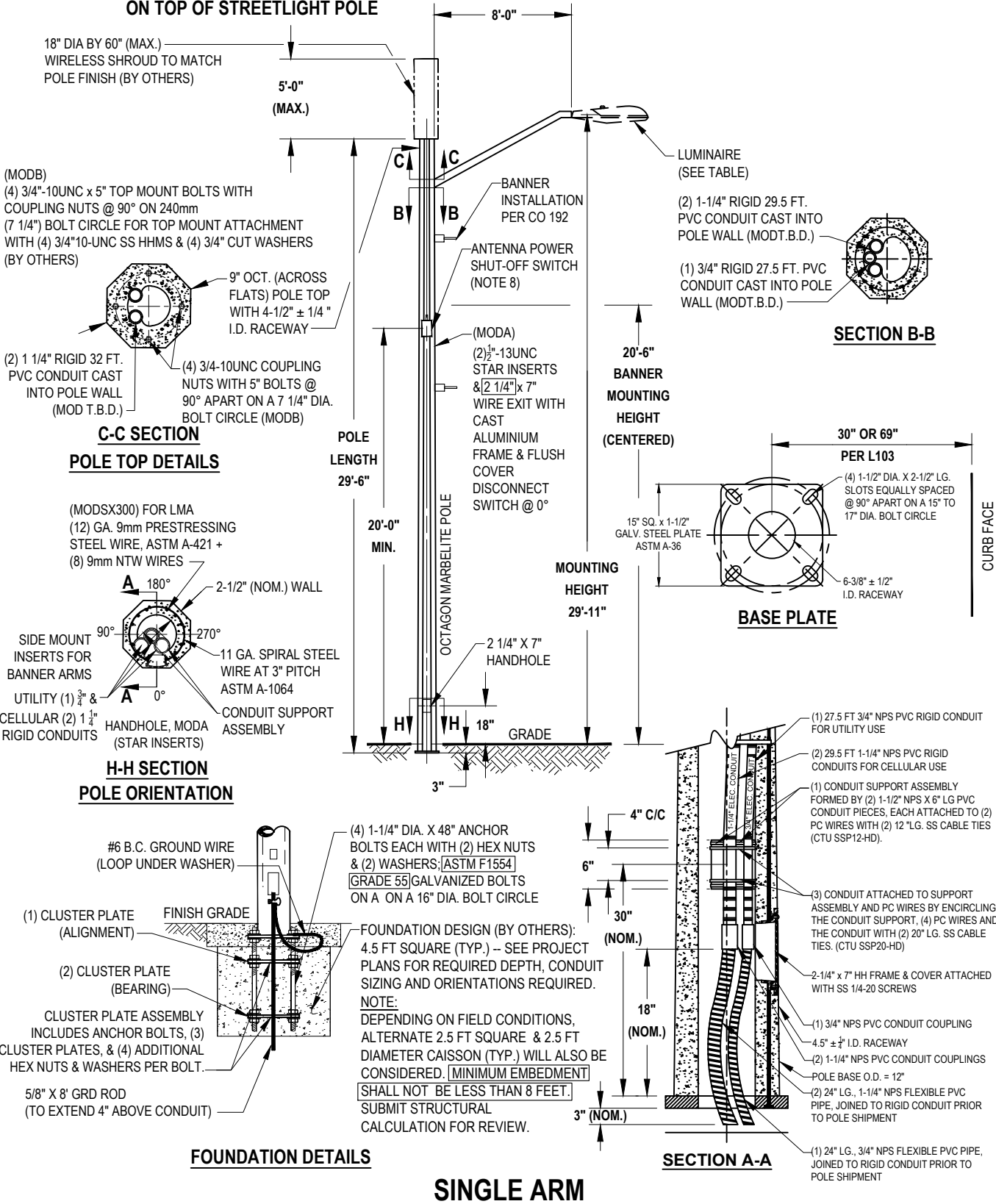


**SCOPE: THIS STANDARD SHOWS CITY OF ANAHEIM STREET LIGHT DESIGN #736 - FOR INSTALLATION OF CELL SITE ON TOP OF STREETLIGHT POLE**



FILENAME: L146 REV 0

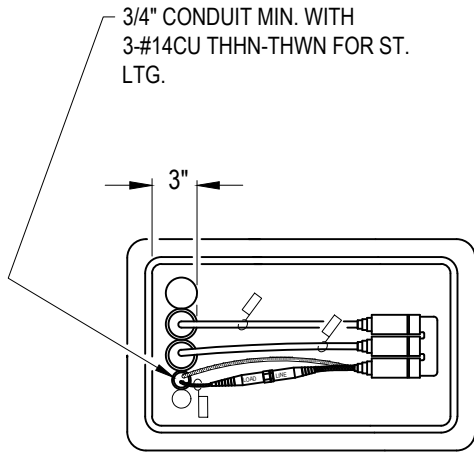
<b>CITY OF ANAHEIM</b> PUBLIC UTILITIES DEPARTMENT ELECTRICAL DIVISION T&D CONSTRUCTION STANDARDS				
APPROVALS				
STD ENG	T&D MGR	SYS PLN MGR	OPS MGR	SUB MAINT
Ry	EB	N/A	JA	N/A

REVISION KEYS:	ADDED / REVISED TEXT	ADDED / REVISED MATERIAL	NEW SHEET	NEW SHEET
----------------	----------------------	--------------------------	-----------	-----------

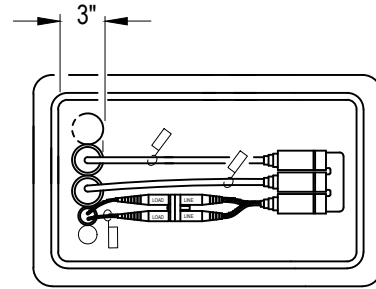
**CITY OF ANAHEIM  
STREET LIGHT DESIGN #736  
CELL SITE TOP**

REVISION NO.	0
ISSUE DATE:	08-18
SHEET	1 OF 3
CONSTRUCTION STANDARD:	L 146

FILENAME: L146 REV 0

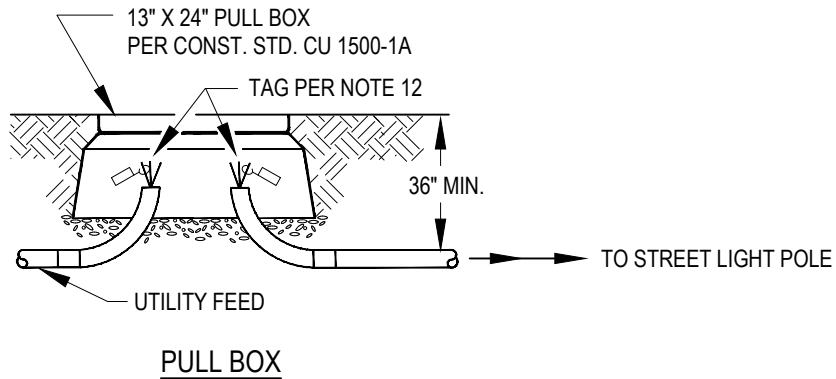


120V, SERVICE  
NOTE 12



240V, SERVICE  
SEE NOTE 12 & NOTE 13

PADMOUNT TRANSFORMER (PMT)  
OR SUBSURFACE TRANSFORMER (BURD)



<b>CITY OF ANAHEIM</b> PUBLIC UTILITIES DEPARTMENT ELECTRICAL DIVISION T&D CONSTRUCTION STANDARDS				
APPROVALS				
STD ENG	T&D MGR	SYS PLN MGR	OPS MGR	SUB MAINT
Ry	EB	N/A	DA	N/A

REVISION KEYS: ADDED / REVISED TEXT ADDED / REVISED MATERIAL

**CITY OF ANAHEIM**  
**STREET LIGHT DESIGN #736**  
**CELL SITE TOP**

REVISION NO.	0
ISSUE DATE:	08-18
SHEET	2 OF 3
CONSTRUCTION STANDARD:	<b>L 146</b>

**NOTES:**

1. POLE CONCRETE SHALL BE 6000 PSI COMPRESSION MINIMUM IN 28 DAYS, MANUFACTURED TO ASTM C 1089-88.
2. THE POLE SHALL BE BLACK AND WHITE MIX 37 AND ENTIRELY COATED WITH AMERISHIELD ANTI-GRAFFITI SEALANT.
3. BASE PLATE REFER TO SHEET 1 FOR DETAILS.
4. FOR COMPLETE POLE UNIT WITHOUT THE LUMINAIRE AND ARMS, ORDER "AMERON" PART NO. GBOX Ø9SPL. VENDORS TO ORDER INCLUDE HD-SUPPLY, WESCO LIGHTING, PACIFIC LIGHT CORPORATION, AND ONE SOURCE.
5. FOR COMPLETE LUMINAIRE UNIT WITH SET SCREWS TO ATTACH TO THE ARM , ORDER STOCK CODES **LISTED PER TABLE**.
6. WIRING FOR LUMINAIRE SHALL BE #14 COPPER CABLES WITH XHHW-2 INSULATION (BLACK-PHASE, WHITE-NEUTRAL, GREEN-GROUND) IN 3/4" CONDUIT FROM POLE BASE TO LUMINAIRE. SEE SHEET 2 FOR CONDUIT SIZE REQUIREMENT FROM SERVICE PULL BOX.
7. THE POLE DEPICTED IS DESIGNED TO WITHSTAND THE LOADS IMPARTED BY A CYLINDRICAL 18" DIA. X 60 " TALL ANTENNA SHROUD. THE TOP MOUNT LMA AND THE LUMINAIRE PER THE 2013 CALIFORNIA BUILDING CODE ASCE 7-05 & 2013 AASHTO LTS-6 IN A 103 MPH WIND ZONE (3-SECOND GUSTS) POLE CHECKED AGAINST LOCATION SPECIFIC SEISMIC CRITERIA, PLEASE ADVISE MFR IF INTENDED LOADING EXCEEDS THESE VALUES.
8. ANTENNA POWER SHUT OFF SWITCH FURNISHED AND INSTALLED BY WIRELESS COMPANY. DISCONNECT MOUNTING PROVISION BY OTHERS.
9. POLE CONDUITS SHALL BE SEPARATE AND NOT SHARED WITH ELECTRIC UTILITY. (1) 3/4" CONDUIT FOR UTILITY WITH CABLES PER NOTE 6. (1) 1 1/4" CONDUIT FOR ANTENNA POWER TO BE PROVIDED AND INSTALLED BY OTHERS. (1) 1 1/4" FOR ANTENNA CABLE.
10. STRUCTURAL STAMPED DRAWINGS TO BE SUBMITTED BY WIRELESS COMPANY TO C.O.A. STANDARDS SUPPORTING 103 MPH LOADING CRITERIA FOR POLE, BACKPLATE AND FOOTING WITH ALL ATTACHMENTS.
11. SEE CO 192 FOR BANNER ATTACHMENT.
12. COA TO PROVIDE 120V, 240V POSITION IN HAND HOLE WIRELESS COMPANY TO INSTALL MULTI/AUTO REG. EQUIP. UTILITY TO PROVIDE 20 AMP. MAX IN-LINE FUSE.
13. FUSING SHALL BE PER COA L104.
14. FOOTING (FOUNDATION) CONCRETE MIX SHALL BE 560-C-3250.
15. DESIGNER SHALL USE APPROPRIATE PHOTOMETRIC SOFTWARE TO CONFIRM IES GUIDELINES ARE FOLLOWED PRIOR TO STREETLIGHT INSTALLATION.

ITEM	QTY	DESCRIPTION	IDENTIFICATION OR CAT. NO.	ANAHEIM STOCK CODE	COMPATIBLE UNITS	
1	1	POLE AND ANCHOR BOLTS		476030	SLDES 736	
	1	SINGLE ARM WITH TOP CAP.		464006		
3	1	LUMINAIRE (HPS 100W EQUIV.)	LED	SEE STOCK CODE	474086	L100LED120/240C
4	1	LUMINAIRE (HPS 200W EQUIV.)		SEE STOCK CODE	474091	L200LED120/240C
5	1	LUMINAIRE (HPS 250W EQUIV.)		SEE STOCK CODE	474092	L250LED120/240C

FILENAME: L146 REV 0

<b>CITY OF ANAHEIM</b> PUBLIC UTILITIES DEPARTMENT ELECTRICAL DIVISION T&D CONSTRUCTION STANDARDS	REVISION KEYS:	ADDED / REVISED TEXT	ADDED / REVISED MATERIAL	NEW SHEET	NEW SHEET
	<b>CITY OF ANAHEIM</b> <b>STREET LIGHT DESIGN #736</b> <b>CELL SITE TOP</b>				
	REVISION NO. <b>0</b> ISSUE DATE: <b>08-18</b> SHEET <b>3</b> OF <b>3</b> CONSTRUCTION STANDARD:				
	<b>L 146</b>				

APPROVALS				
STD ENG	T&D MGR	SYS PLN MGR	OPS MGR	SUB MAINT
RY	EB	N/A	DA	N/A