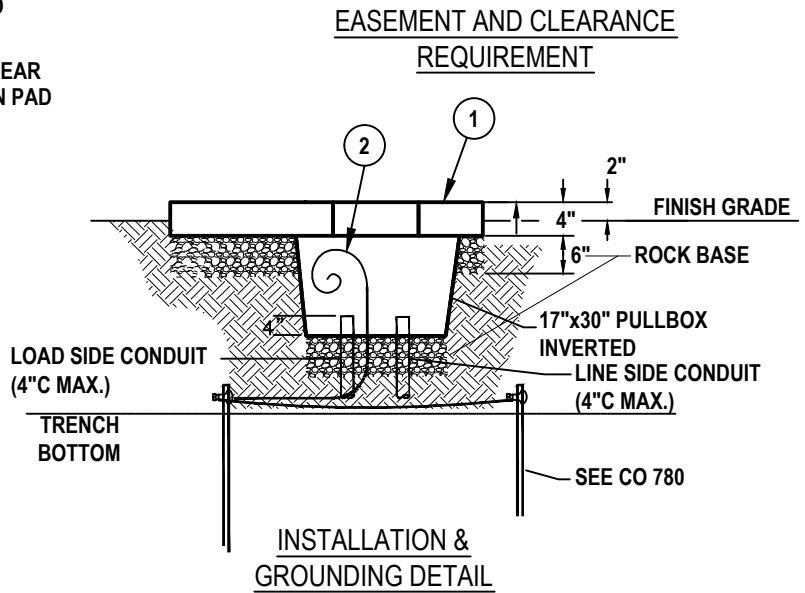
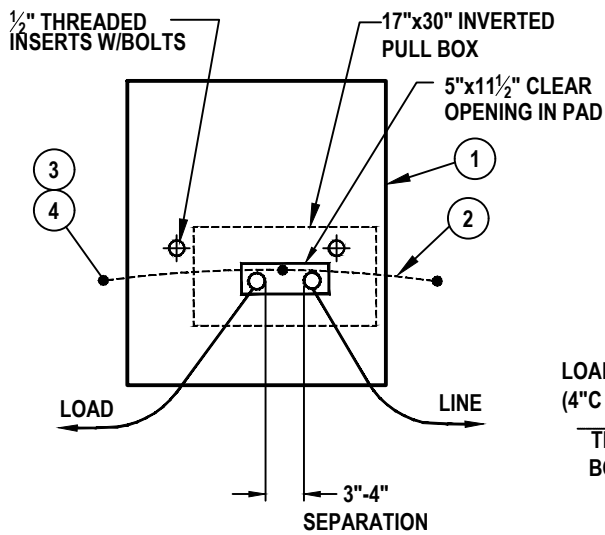
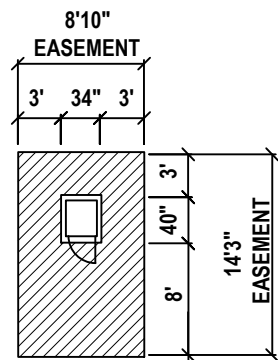
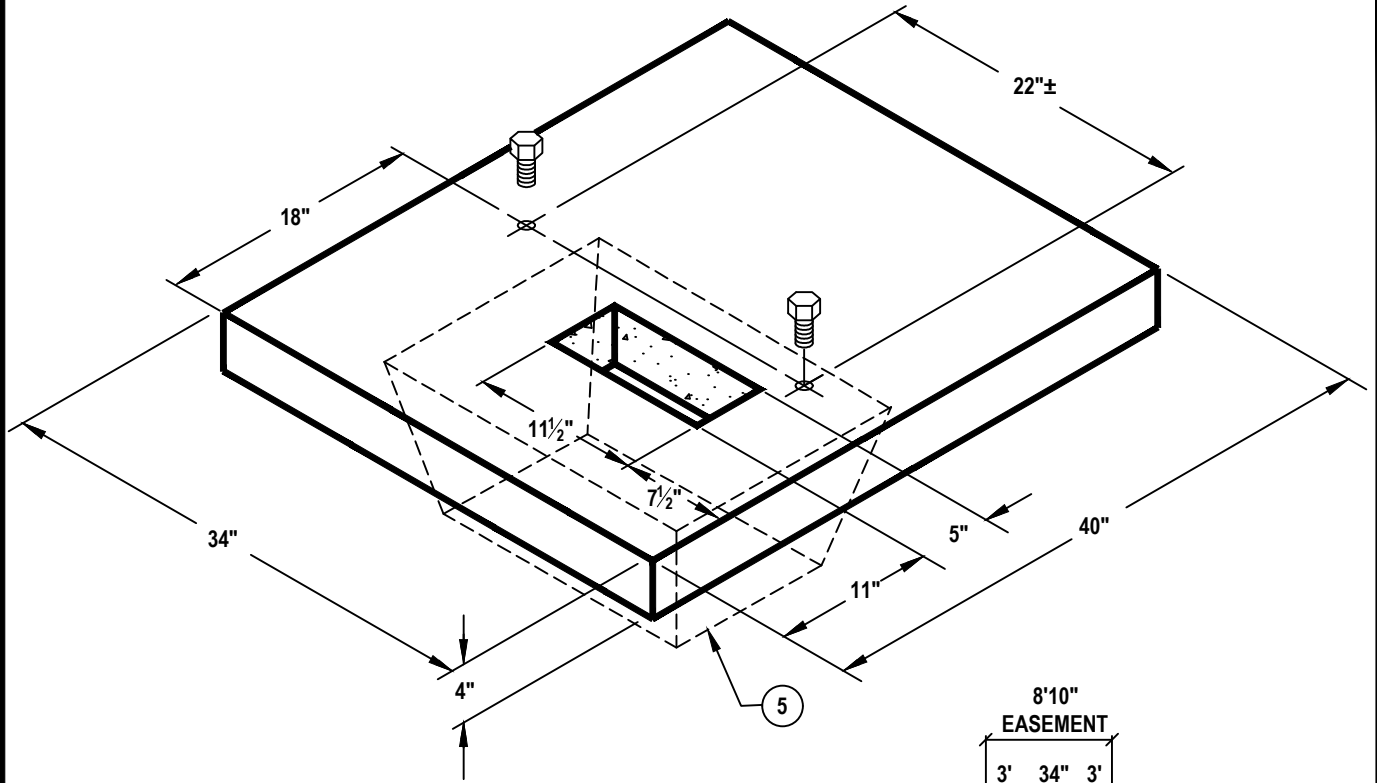


SCOPE: THIS STANDARD SHOWS REQUIREMENTS FOR EASEMENT AND CLEARANCE AND INSTALLATION OF POLYMER/CONCRETE PAD FOR 6.9KV SINGLE PHASE PAD MOUNTED FUSE CABINET.



FILENAME: CU1600-61 REV4

CITY OF ANAHEIM				
PUBLIC UTILITIES DEPARTMENT				
ELECTRICAL DIVISION				
T&D CONSTRUCTION STANDARDS				
APPROVALS				
PREP BY	T&D MGR	SYS PLN MGR	OPS MGR	SUB MAINT
MH	EB	N/A	EMR	N/A

REVISION KEYS: ADDED / REVISED TEXT ADDED / REVISED MATERIAL

6.9KV SINGLE PHASE FUSE CABINET 34" x 40" PAD INSTALLATION

NEW SHEET	NEW SHEET
REVISION NO.	4
ISSUE DATE:	01-15
SHEET	1 OF 2
CONSTRUCTION STANDARD:	
CU 1600-61	

MATERIAL LIST

ITEM	QTY	DESCRIPTION	ANAHEIM PART NO.	COMPATIBLE UNIT
1	1	PAD, FUSE CABINET 34" X 40"	SEE BELOW	-
2	AS REQ'D.	WIRE, #4 B.C. SOLID SOFT DRAWN	446150	W4CUBARE-SD
3	2	ROD, GROUND 5/8" X 8' COPPERWELD	547005	GRNDROD
4	2	CLAMPS, GROUND	568075	GRNDCLMP-ROD
5	1	17" X 30" PULL BOX	486300	PB17X30POLY

FUSE CABINET PAD



SIZE	MATERIAL	NEWBASIS	JENSEN	UTILITY VAULT CO.	ANAHEIM PART NO.
34" X 40"	POLYMER	PP1P-3440-90001	-	-	-

NOTES:

- A. GROUND RODS TO CLEAR ALL CONDUITS IN UNDISTRUBED SOIL, PER CO782
- B. LOCATE CONDUITS (4" MAX.) AS SHOWN AND WITHIN PULL BOX OPENING. (NOTE LINE AND LOAD SIDE POSITIONS).
- C. INSTALL TEMPORARY CONDUIT PLUGS IN ALL CONDUITS PER CU 1600-96H.
- D. BACKFILL AND COMPACT SOIL TO 95%, INSTALL 6" OF 3/4" ROCK BASE.
- E. INSTALL AND LEVEL PAD, BACKFILL TO 2" BELOW PAD TOP.
- F. FILL PULL BOX OPENING AROUND CONDUITS WITH 2" LAYER OF 3/4" ROCK FOR WEED AND RODENT CONTROL.
- G. MAINTAIN 8 FEET MIN. WORKING CLEARANCE IN FRONT OF PAD AND 3' CLEARANCE IN SIDES AND BACK.
- H. RETAINING WALLS PER CU 1600-6.
- J. PROTECTIVE POSTS PER CU 1600-9.
- K. PAD COMES COMPLETE WITH 2 NON-CORROSIVE 1/2" THREADED INSERTS (CAST IN PLACE) AND 1/2" HEX HEAD BOLTS INSTALLED FOR CABINET HOLD DOWN.
- L. INSTALL FUSE CABINET PER CU 1600-60.
- M. INSTALL INVERTED 17"X30" PULL BOX BELOW PAD SLOT PER CU 1500-1A. RETURN UN-USED TOP TO STOCK

FILENAME: CU1600-61 REV4

CITY OF ANAHEIM PUBLIC UTILITIES DEPARTMENT ELECTRICAL DIVISION T&D CONSTRUCTION STANDARDS	REVISION KEYS:	ADDED / REVISED TEXT	ADDED / REVISED MATERIAL	NEW SHEET	NEW SHEET
	6.9KV SINGLE PHASE FUSE CABINET 34" x 40" PAD INSTALLATION				REVISION NO. 4
APPROVALS PREP BY: T&D MGR, SYS PLN MGR, OPS MGR, SUB MAINT MH, <i>[Signature]</i> , N/A, <i>[Signature]</i> , N/A				SHEET 2 OF 2	CONSTRUCTION STANDARD: CU 1600-61