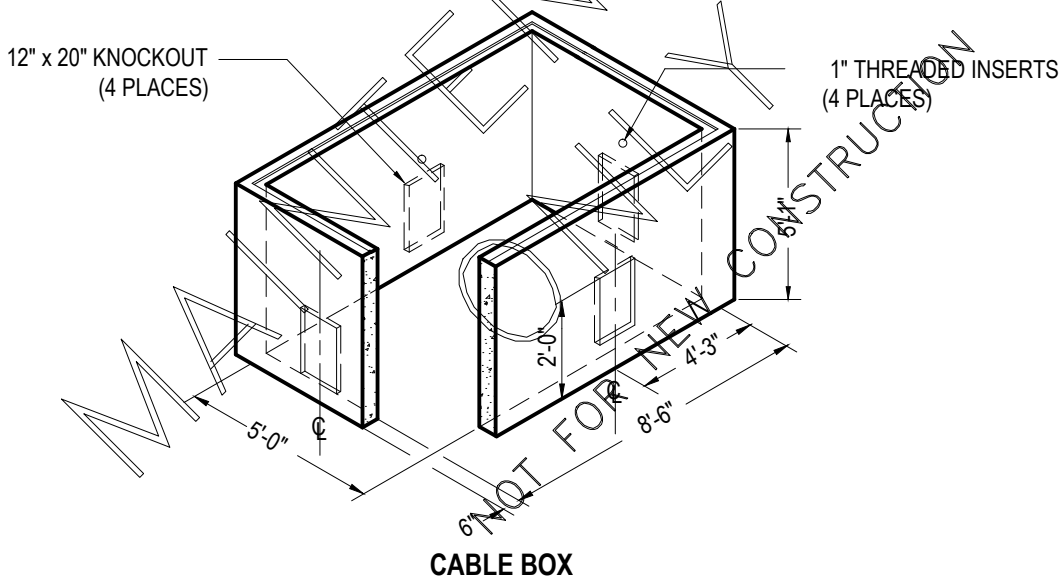
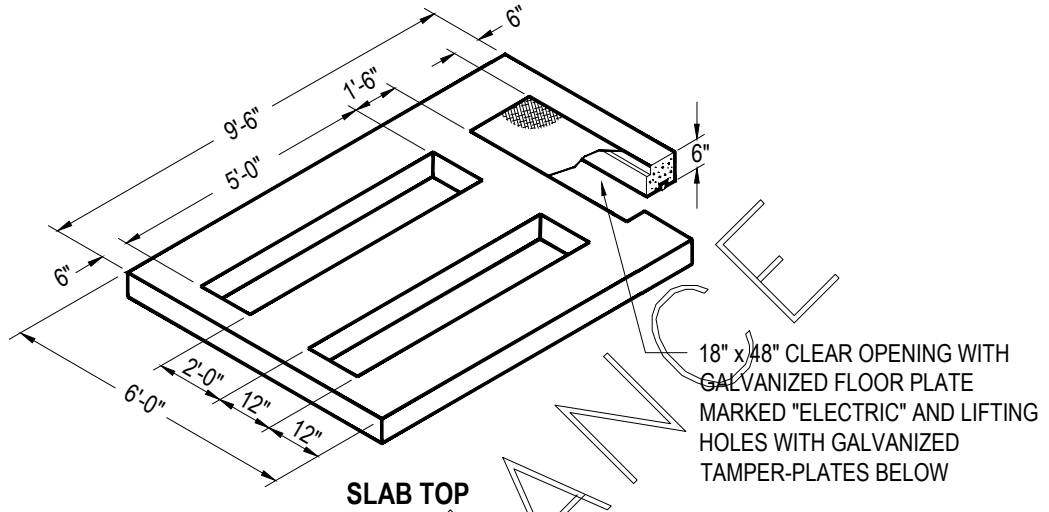


SCOPE:

THIS STANDARD SHOWS OPTION I , 6' x 9'-6" SLAB TOP AND CABLE BOX FOR INSTALLATION OF PME & PMC SWITCH CABINET. SEE CU 1600-3J FOR OPTION 2.



OPTION I

STYLE	JENSEN	UTILITY VAULT	ANAHEIM PART NO.
STANDARD	K586-SB61-16	ANA696 SB	-
PARKWAY	-	-	-

FILENAME: CU 1600 REV2

CITY OF ANAHEIM
PUBLIC UTILITIES DEPARTMENT
ELECTRICAL DIVISION
T&D CONSTRUCTION STANDARDS

APPROVALS				
PREP BY	T&D MGR	SYS PLN MGR	OPS MGR	SUB MAINT
MH	EB	--	DA	--

REVISION KEYS:



ADDED / REVISED TEXT



ADDED / REVISED MATERIAL

NEW SHEET

NEW SHEET

**6' X 9'-6" SLAB TOP,
CABLE BOX AND SAFETY COVER FOR
PME & PMC SWITCH CABINET**

REVISION NO. **2**

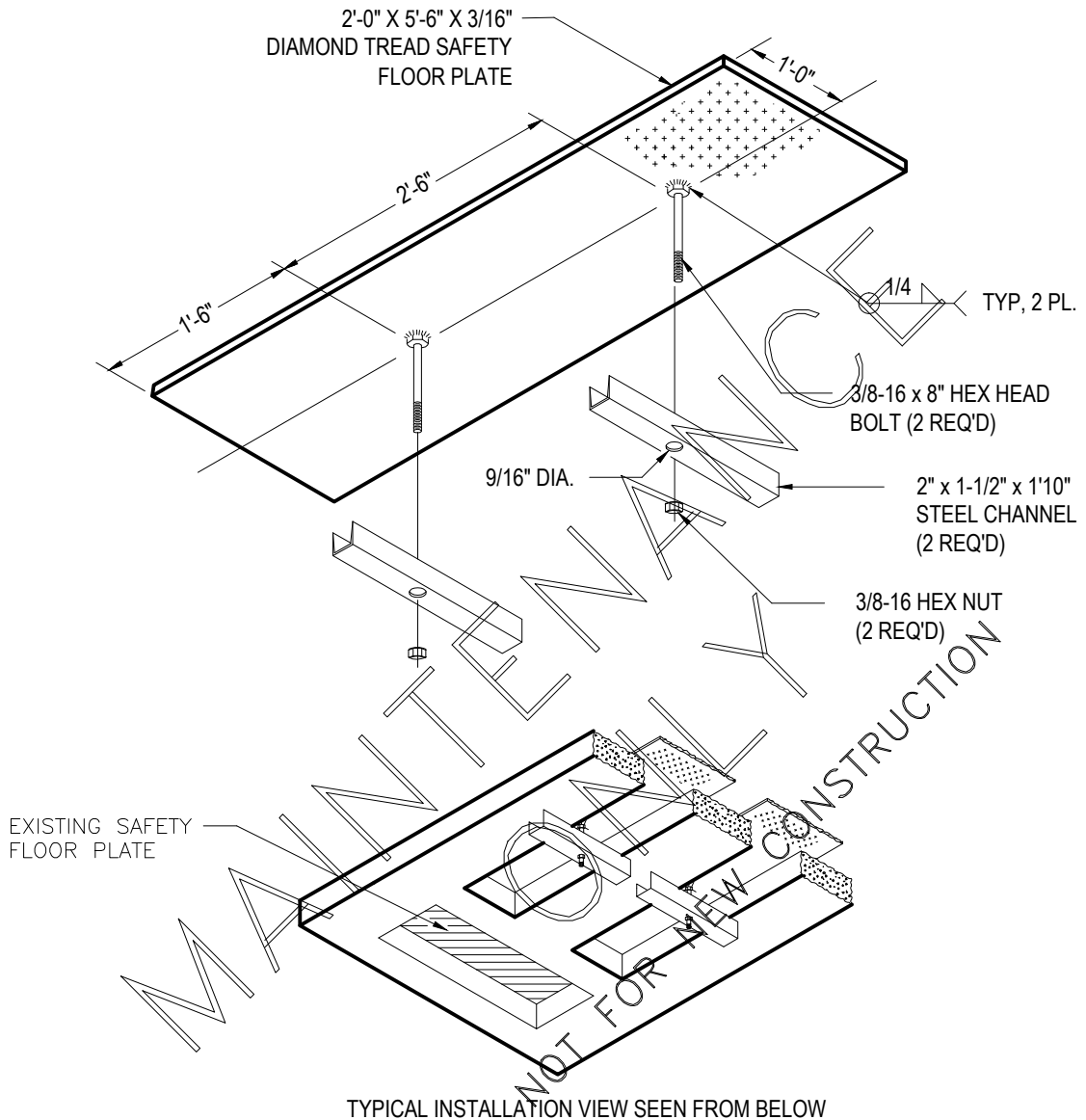
ISSUE DATE: **01-16**

SHEET **1** OF **2**

CONSTRUCTION STANDARD:

CU 1600-1A

FILENAME: CU 1600 REV2



NOTES:

1. 3750 PSI MIN. CONCRETE COMPRESSIVE STRENGTH IN 28 DAYS.
2. EXCAVATION PER CU 1600-4B, MINIMUM SIZE: SEE MANUFACTURER'S SUGGESTED EXCAVATION SIZE.
3. FOR USE WITH MOTOR OPERATED AND MANUAL OPERATED PADMOUNT SWITCH CABINETS.
4. FOR PMC & PME VAULT INSTALLATION AND CONDUIT ARRANGEMENT, SEE CU 1600-5.

CITY OF ANAHEIM PUBLIC UTILITIES DEPARTMENT ELECTRICAL DIVISION T&D CONSTRUCTION STANDARDS		REVISION KEYS:	ADDED / REVISED TEXT	ADDED / REVISED MATERIAL	NEW SHEET	NEW SHEET
		6' X 9'-6" SLAB TOP, CABLE BOX AND SAFETY COVER FOR PME & PMC SWITCH CABINET				REVISION NO. 2
APPROVALS PREP BY T&D MGR SYS PLN MGR OPS MGR SUB MAINT				SHEET 2 OF 2		CONSTRUCTION STANDARD:
				CU 1600-1A		