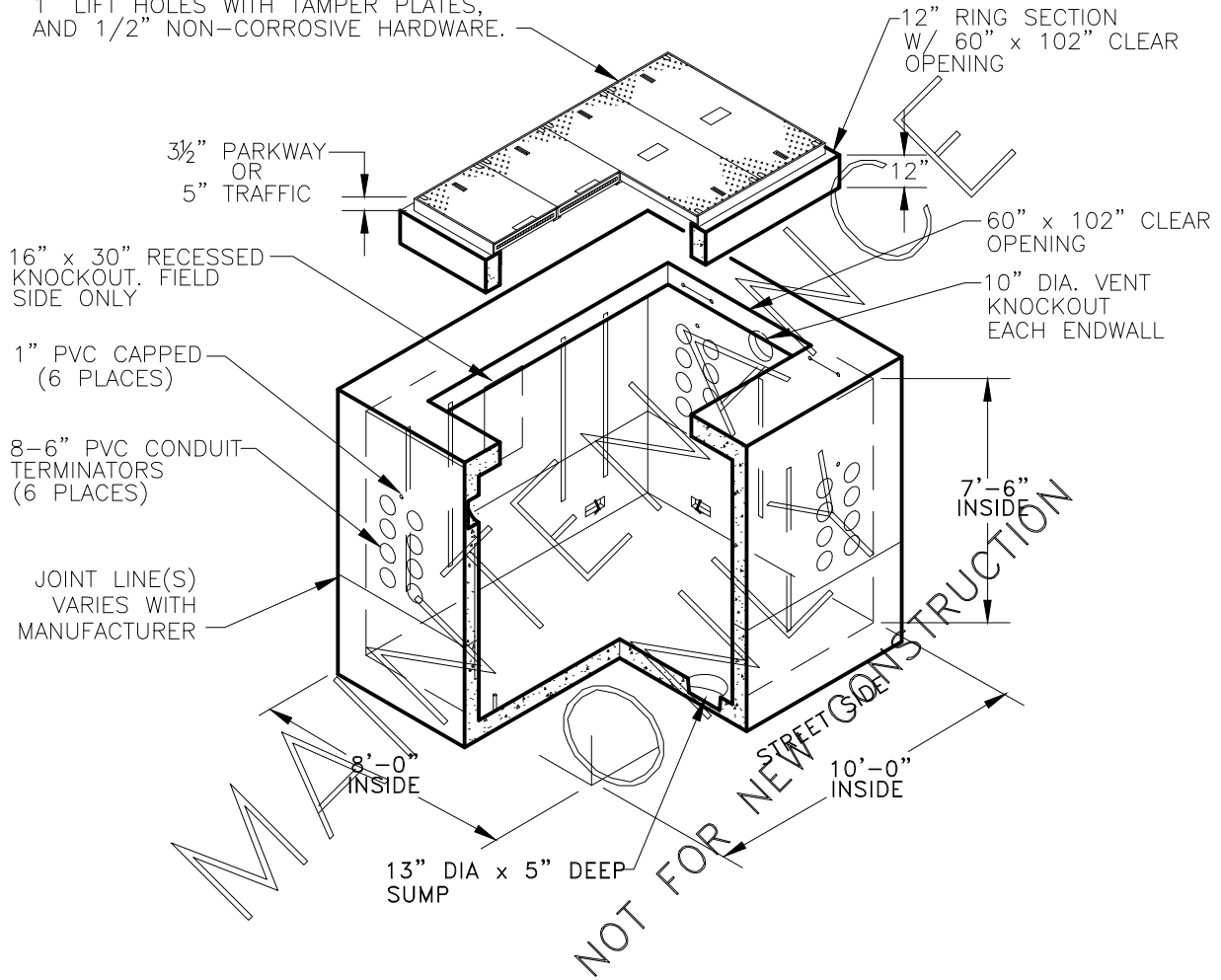


SCOPE: THIS STANDARD SHOWS APPROVED 8' x 10' x 7'-6" DEEP TUB STYLE PRECAST CONCRETE VAULT WITH PARKWAY COVER.

FRAME AND 4 PIECE PARKWAY COVER WITH 3 I-BEAMS, GALVANIZED. COVERS MARKED "ELECTRIC" AND INCLUDE 1" LIFT HOLES WITH TAMPER PLATES, AND 1/2" NON-CORROSIVE HARDWARE.



NOT FOR NEW STREET CONSTRUCTION

PARKWAY INSTALLATION- 4 PANELS

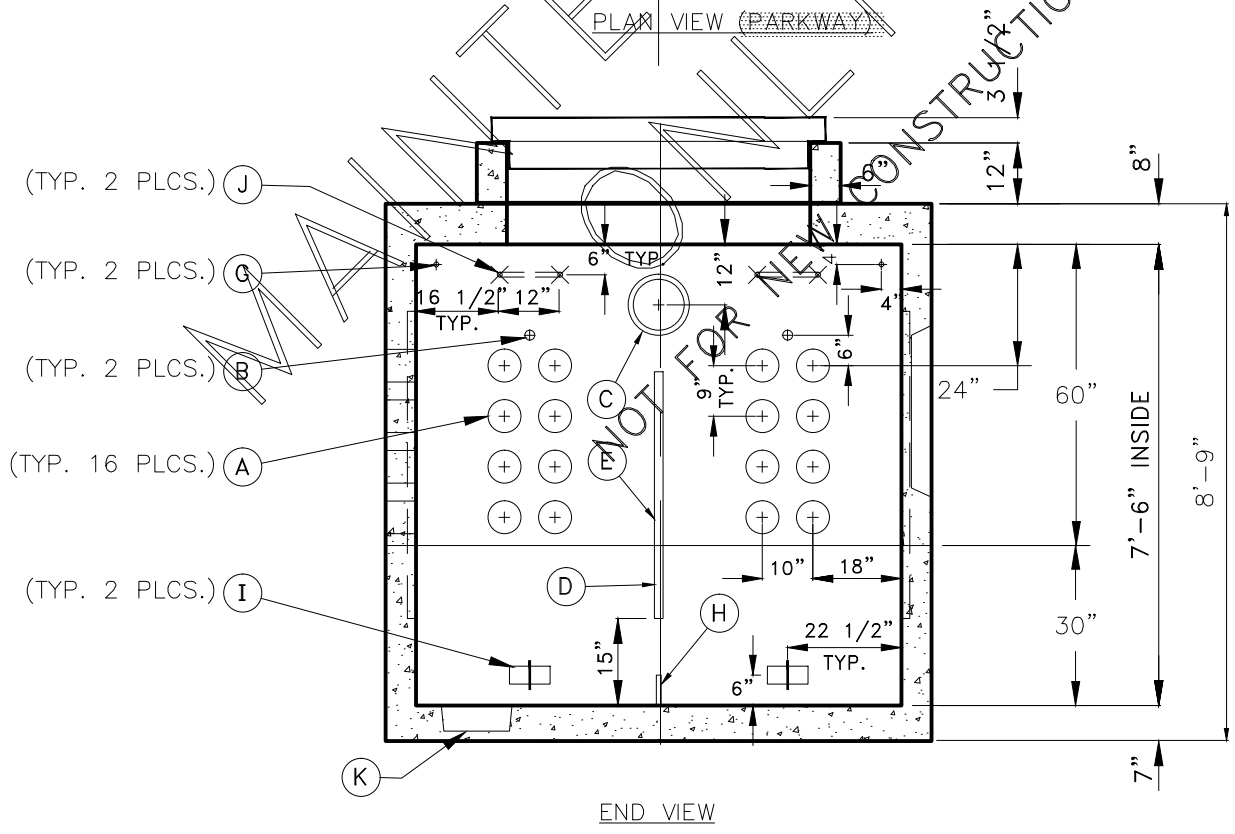
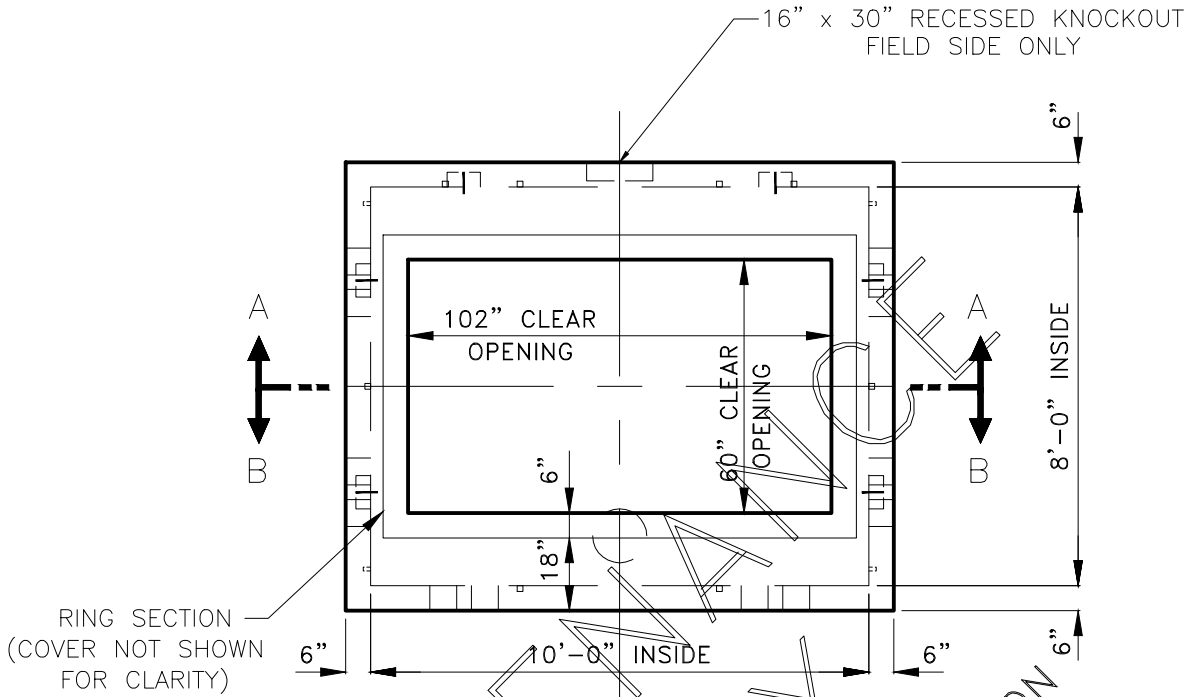
TRAFFIC INSTALLATION- 4 PANELS

FILENAME: CU 1600-3G REV6

SIZE INSIDE	LOCATION	MANUFACTURER & CAT. NO.		COVER TYPE	COMPATIBLE UNITS
		JENSEN	UTILITY VAULT		
8' x 10'	PARKWAY	K810-FV90-16P	COFA 810-90-P	4 SECTION STEEL PLATE	V8X10X7-6CONT
8' x 10'	TRAFFIC	K810-FV90-16T	COFA 810-90-T	4 SECTION STEEL PLATE	

CITY OF ANAHEIM PUBLIC UTILITIES DEPARTMENT ELECTRICAL DIVISION T&D CONSTRUCTION STANDARDS	REVISION KEYS:	ADDED / REVISED TEXT	ADDED / REVISED MATERIAL	NEW SHEET	NEW SHEET																		
	8' X 10' X 7'-6" DEEP DISTRIBUTION VAULT				REVISION NO. 6	ISSUE DATE: 01-16																	
					SHEET 1 OF 3	CONSTRUCTION STANDARD:																	
					CU 1600-3G																		
<table border="1" style="width: 100%; border-collapse: collapse;"> <thead> <tr> <th colspan="6">APPROVALS</th> </tr> <tr> <th>PREP BY</th> <th>T&D MGR</th> <th>SYS PLN MGR</th> <th>OPS MGR</th> <th colspan="2">SUB MAINT</th> </tr> </thead> <tbody> <tr> <td style="text-align: center;">MH</td> <td style="text-align: center;">EB</td> <td style="text-align: center;">--</td> <td style="text-align: center;">DA</td> <td colspan="2" style="text-align: center;">--</td> </tr> </tbody> </table>						APPROVALS						PREP BY	T&D MGR	SYS PLN MGR	OPS MGR	SUB MAINT		MH	EB	--	DA	--	
APPROVALS																							
PREP BY	T&D MGR	SYS PLN MGR	OPS MGR	SUB MAINT																			
MH	EB	--	DA	--																			

FILENAME: CU 1600-3G REV6



CITY OF ANAHEIM
 PUBLIC UTILITIES DEPARTMENT
 ELECTRICAL DIVISION
 T&D CONSTRUCTION STANDARDS

APPROVALS				
PREP BY	T&D MGR	SYS PLN MGR	OPS MGR	SUB MAINT
MH	ES	--	DA	--

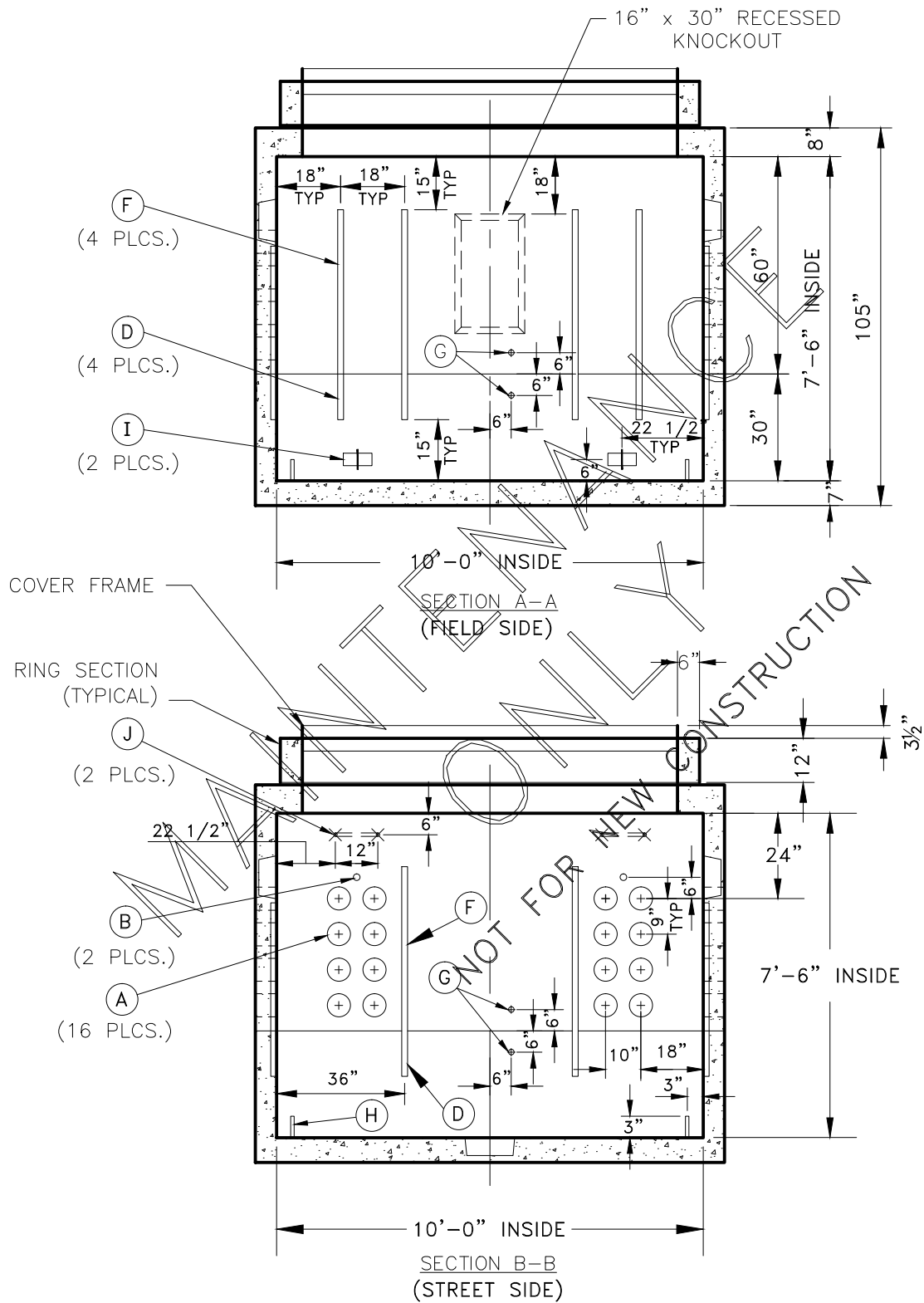
REVISION KEYS:



8' X 10' X 7'-6" DEEP DISTRIBUTION VAULT

NEW SHEET	NEW SHEET
REVISION NO.	6
ISSUE DATE:	01-16
SHEET	2 OF 3
CONSTRUCTION STANDARD:	
CU 1600-3G	

FILENAME: CU 1600-3G REV6



CITY OF ANAHEIM
PUBLIC UTILITIES DEPARTMENT
ELECTRICAL DIVISION
T&D CONSTRUCTION STANDARDS

APPROVALS				
PREP BY	T&D MGR	SYSPLN MGR	OPS MGR	SUB MAINT
MH	EB	--	DA	--

REVISION KEYS:



ADDED / REVISED TEXT



ADDED / REVISED MATERIAL

NEW SHEET

NEW SHEET

**8' X 10' X 7'-6" DEEP
DISTRIBUTION VAULT**

REVISION NO. **6**

ISSUE DATE: **01-16**

SHEET **3** OF **3**

CONSTRUCTION STANDARD:

CU 1600-3G