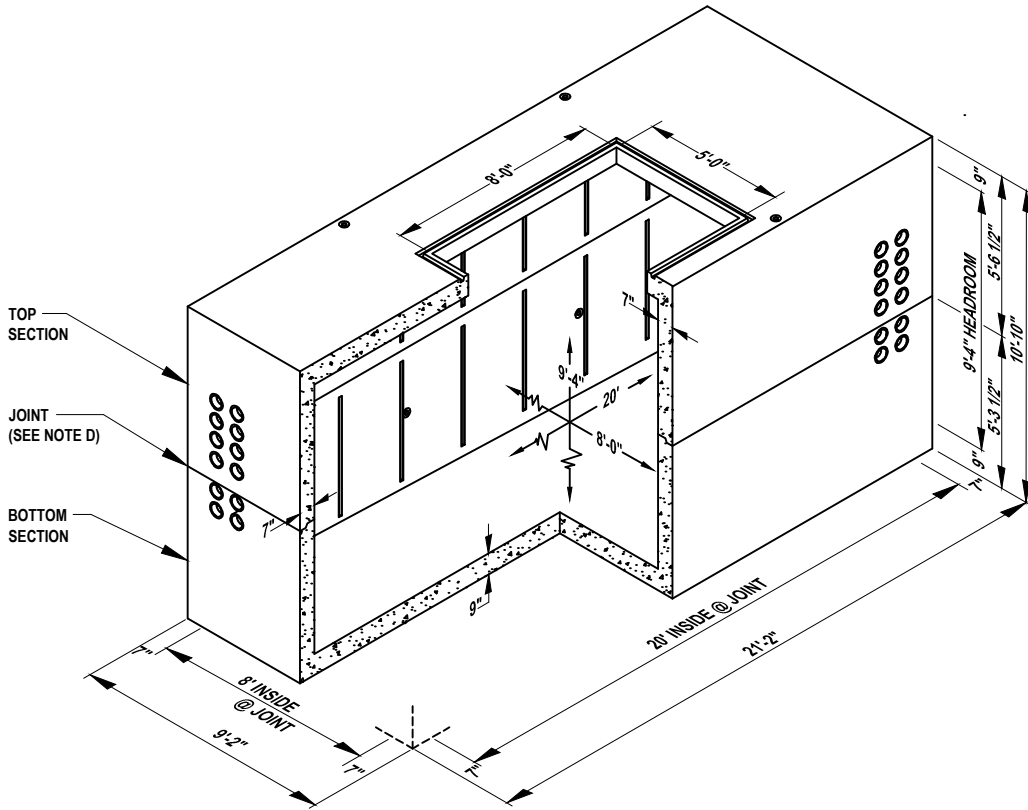
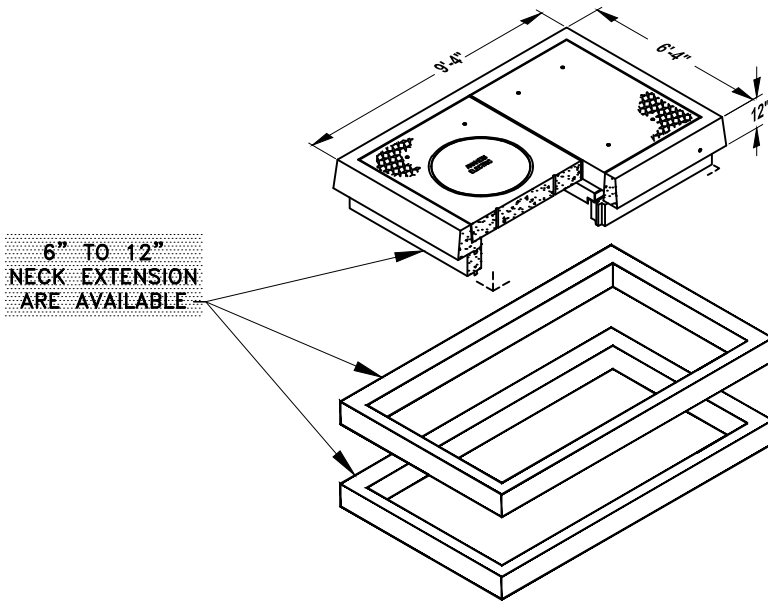


FILENAME: CU1600-3L REV0



VAULT LOCATION	STYLE	JENSEN CAT. NO.	UTILITY VAULT CAT. NO.	ANAHEIM CU. NO.
TRAFFIC	TUB	K820-FV112-163H-58	-	V8X20CONTX

CITY OF ANAHEIM
PUBLIC UTILITIES DEPARTMENT
ELECTRICAL DIVISION
T&D CONSTRUCTION STANDARDS

APPROVALS				
PREP BY	T&D MGR	SYS PLN MGR	OPS MGR	SUB MAINT
MH	EB	-	CM	-

REVISION KEYS:

ADDED / REVISED TEXT

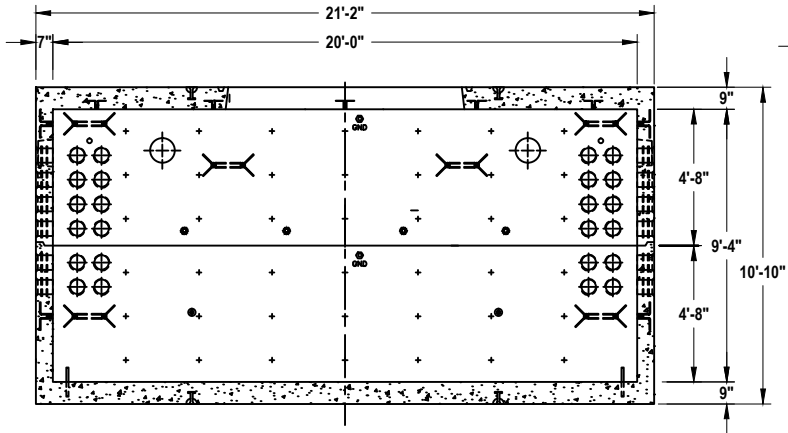
ADDED / REVISED MATERIAL

NEW SHEET

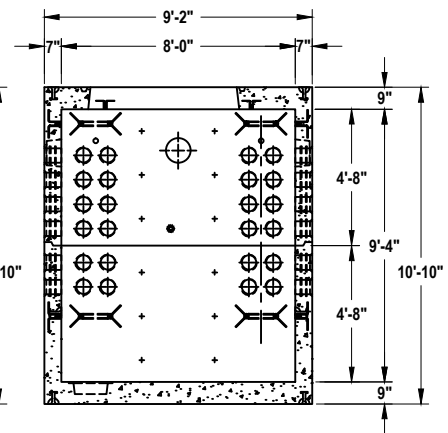
DISTRIBUTION VAULT
8' x 20' x 9'-4" DEEP TRAFFIC FLAT WALL
WITH 5'x8' OPENING

REVISION NO. **0**
ISSUE DATE: **01-13**
SHEET **1** OF **6**
CONSTRUCTION STANDARD:
CU1600-3L

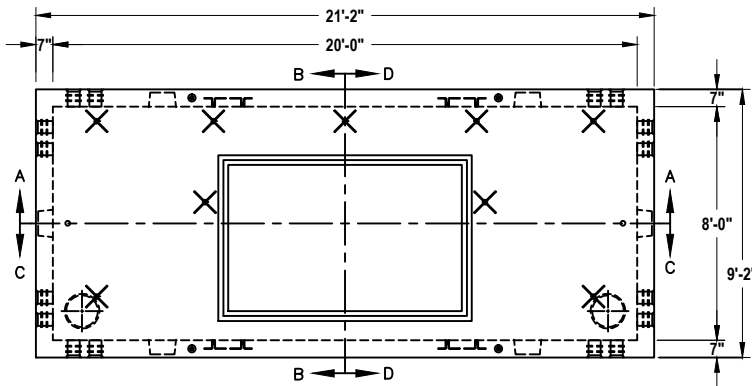
FILENAME: CU1600-3L REV0



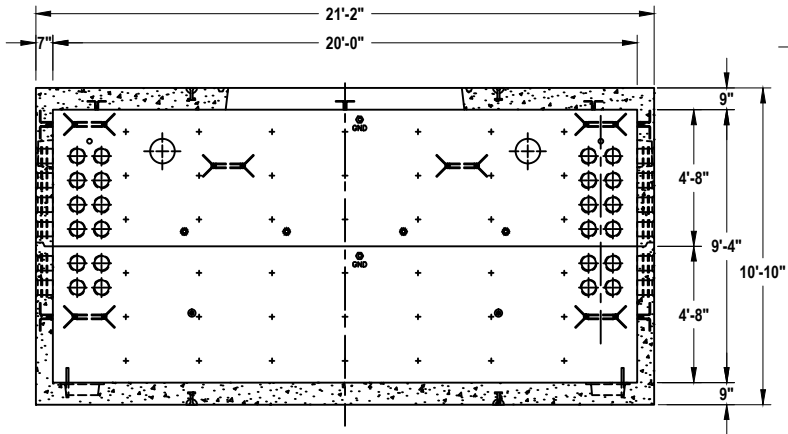
SECTION A-A



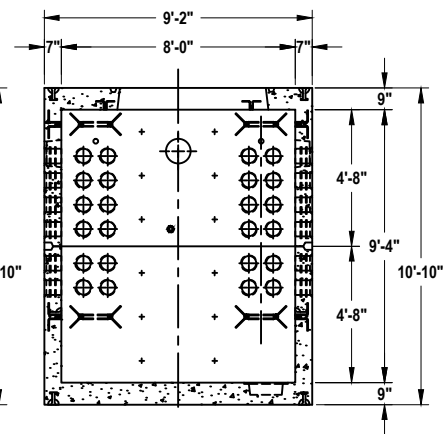
SECTION B-B



PLAN VIEW



SECTION C-C



SECTION D-D

CITY OF ANAHEIM
PUBLIC UTILITIES DEPARTMENT
ELECTRICAL DIVISION
T&D CONSTRUCTION STANDARDS

APPROVALS				
PREP BY	T&D MGR	SYS PLN MGR	OPS MGR	SUB MAINT
MH	EB	-	CM	-

REVISION KEYS:

ADDED / REVISED TEXT

ADDED / REVISED MATERIAL

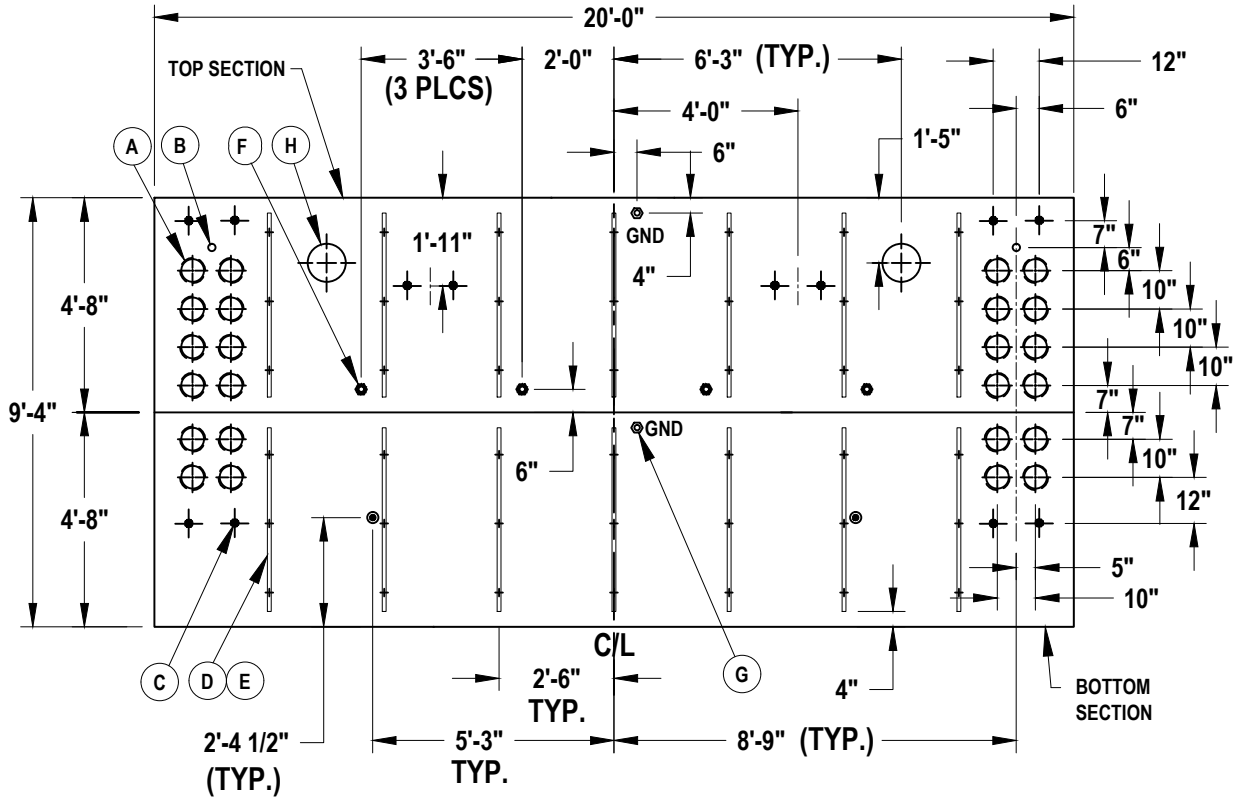
NEW SHEET

DISTRIBUTION VAULT
8' x 20' x 9'-4" DEEP TRAFFIC FLAT WALL
WITH 5'x8' OPENING

REVISION NO. **0**
ISSUE DATE: **01-13**
SHEET **2** OF **6**
CONSTRUCTION STANDARD:

CU 1600-3L

FILENAME: CU1600-3L REV0



TYPICAL SIDEWALL INTERIOR ELEVATION

ITEM (PER ENDWALL):

- A. 6" DIAMETER PVC CONDUIT TERMINATORS - 24 REQD.
- B. 1" DIAMETER PVC GROUND WIRE SLEEVE - 2 REQD.
- C. 1" DIA. X 6" DOUBLE COIL INSERT, GALV., 10,000 LB. PULL CAPACITY - 6 REQD.
- D. 1 5/8" X 1 5/8" X 48" LG. UNISTRUT WITH SHORT SLOTS, GALV., WITH 1/2" DIA. STAINLESS STEEL FASTENERS - 14 REQD.
- E. 1/2" DIA. IMPERIAL I-5000 PLASTIC INSERT - 42 REQD.
- F. 5/8" DIA. X 3 3/8" NC THREADED INSERT 2000 LB. LOAD CAPACITY - 4 REQD.
- G. 1/2" DIA. BRONZE GROUND INSERT, GROUND TO REINFORCEMENT BARS. - 2 REQD.
- H. 10" DIA. PLASTIC VENT COUPLING - 2 REQD.

NEW SHEET

CITY OF ANAHEIM
PUBLIC UTILITIES DEPARTMENT
ELECTRICAL DIVISION
T&D CONSTRUCTION STANDARDS

REVISION KEYS:

ADDED / REVISED TEXT

ADDED / REVISED MATERIAL

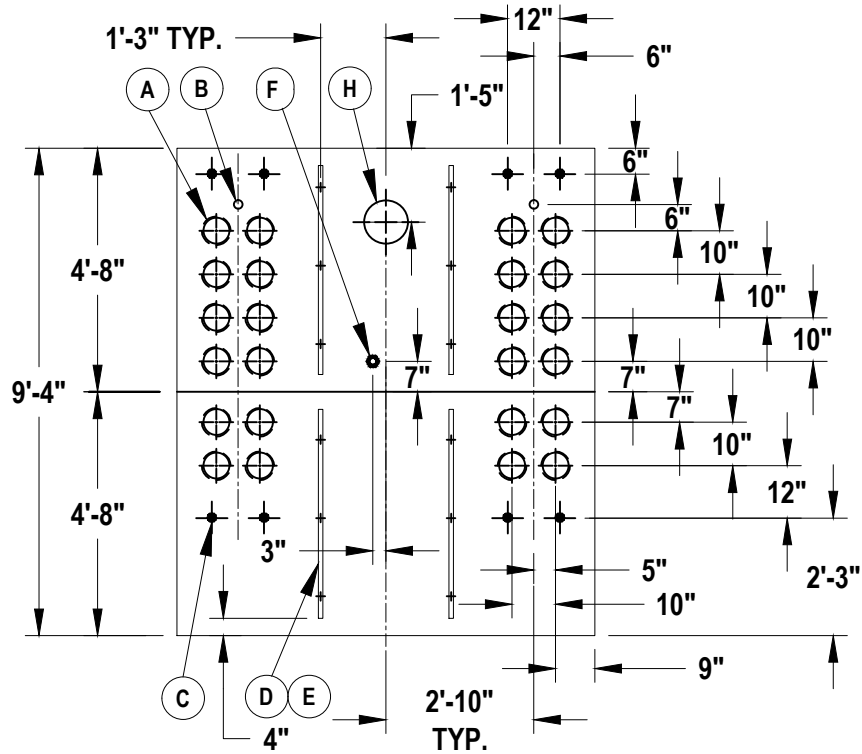
NEW SHEET

APPROVALS				
PREP BY	T&D MGR	SYS PLAN MGR	OPS MGR	SUB MAINT
MH	EB	-	CM	-

DISTRIBUTION VAULT
8' x 20' x 9'-4" DEEP TRAFFIC FLAT WALL
WITH 5'x8' OPENING

REVISION NO.	0
ISSUE DATE :	01-13
SHEET	3 OF 6
CONSTRUCTION STANDARD:	CU 1600-3L

FILENAME: CU1600-3L REV0



TYPICAL ENDWALL INTERIOR ELEVATION

ITEM (PER ENDWALL):

- A. 6" DIAMETER PVC CONDUIT TERMINATORS - 24 REQD.
- B. 1" DIAMETER PVC GROUND WIRE SLEEVE - 2 REQD.
- C. 1" DIA. X 6" DOUBLE COIL INSERT, GALV., 10,000 LB. PULL CAPACITY - 4 REQD.
- D. 1 5/8" X 1 5/8" X 48" LG. UNISTRUT WITH SHORT SLOTS, GALV., WITH 1/2" DIA. STAINLESS STEEL FASTENERS - 4 REQD.
- E. 1/2" DIA. IMPERIAL I-5000 PLASTIC INSERT - 12 REQD.
- F. 5/8" DIA. X 3 3/8" NC THREADED INSERT 2000 LB. LOAD CAPACITY - 1 REQD.
- H. 10" DIA. PLASTIC VENT COUPLING - 1 REQD.

NEW SHEET

CITY OF ANAHEIM
PUBLIC UTILITIES DEPARTMENT
ELECTRICAL DIVISION
T&D CONSTRUCTION STANDARDS

REVISION KEYS:

ADDED / REVISED TEXT

ADDED / REVISED MATERIAL

NEW SHEET

DISTRIBUTION VAULT
8' x 20' x 9'-4" DEEP TRAFFIC FLAT WALL
WITH 5'x8' OPENING

REVISION NO. 0

ISSUE DATE: 01-13

SHEET 4 OF 6

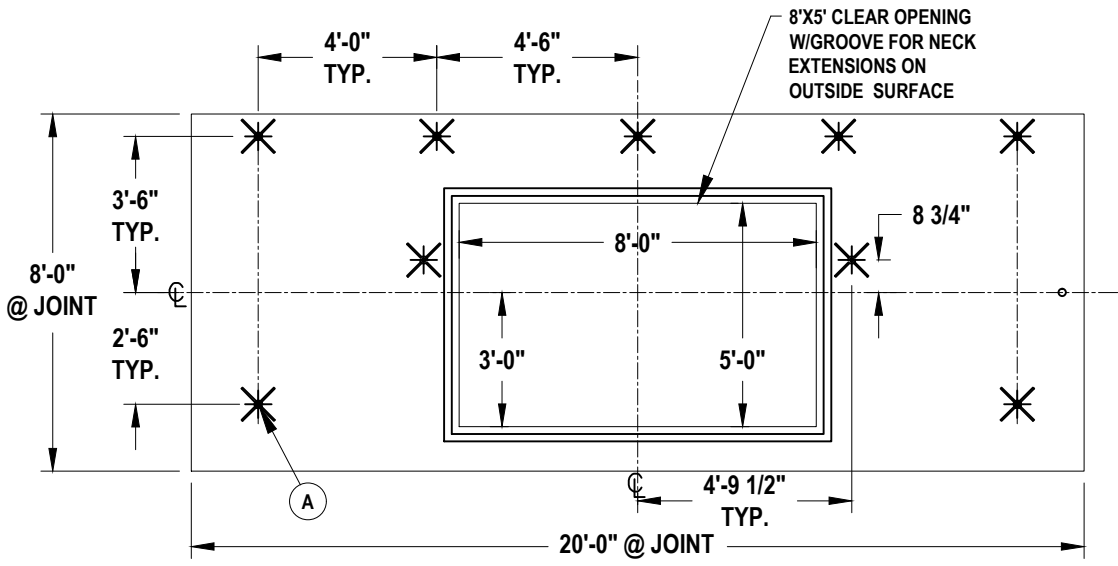
CONSTRUCTION STANDARD:

CU 1600-3L

APPROVALS

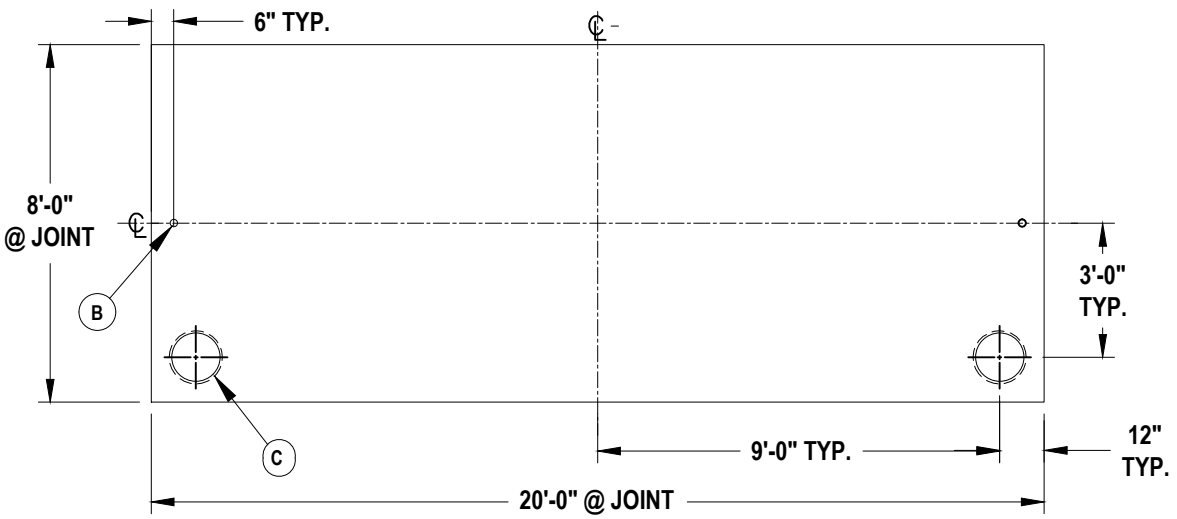
PREP BY	T&D MGR	SYS PLN MGR	OPS MGR	SUB MAINT
MH	EB	-	CM	-

FILENAME: CU1600-3L REV0



CEILING VIEW

TRAFFIC TYPE ONLY
(INSERTS A NOT REQUIRED FOR PARKWAY STYLE)



FLOOR VIEW

NOTES:

- A. 1" DIA. COIL INSERT, GALV. (SEE SHEET 1) - 9 REQD.
- B. 5/8" DIA COPPER CLAD GROUND ROD, WELD TO REINFORCEMENT & PROJECT 3" MIN. - 2 REQD.
- C. 13" DIA. SUMP, 5" DEEP W/PLATE RECESS. LOCATE AS SHOWN. - 2 REQD.

NEW SHEET

<p>CITY OF ANAHEIM PUBLIC UTILITIES DEPARTMENT ELECTRICAL DIVISION T&D CONSTRUCTION STANDARDS</p>	<p>REVISION KEYS:</p> <table style="font-size: small;"> <tr> <td style="width: 20px; height: 10px; background-color: #cccccc;"></td> <td>ADDED / REVISED TEXT</td> </tr> <tr> <td style="width: 20px; height: 10px; background-color: #cccccc;"></td> <td>ADDED / REVISED MATERIAL</td> </tr> <tr> <td style="width: 20px; height: 10px; border: 1px solid black; border-radius: 50%;"></td> <td>NEW SHEET</td> </tr> </table>		ADDED / REVISED TEXT		ADDED / REVISED MATERIAL		NEW SHEET	<p>DISTRIBUTION VAULT 8' x 20' x 9'-4" DEEP TRAFFIC FLAT WALL WITH 5'x8' OPENING</p>	<p>REVISION NO. 0 ISSUE DATE: 01-13 SHEET 5 OF 6 CONSTRUCTION STANDARD: CU 1600-3L</p>					
		ADDED / REVISED TEXT												
	ADDED / REVISED MATERIAL													
	NEW SHEET													
<p>APPROVALS</p> <table border="1" style="width: 100%; border-collapse: collapse;"> <tr> <td style="width: 25%;">PREP BY</td> <td style="width: 25%;">T&D MGR</td> <td style="width: 25%;">SYS PLN MGR</td> <td style="width: 25%;">OPS MGR</td> <td style="width: 25%;">SUB MAINT</td> </tr> <tr> <td>MH</td> <td>EB</td> <td>-</td> <td>CM</td> <td>-</td> </tr> </table>	PREP BY	T&D MGR	SYS PLN MGR	OPS MGR	SUB MAINT	MH	EB	-	CM	-				
PREP BY	T&D MGR	SYS PLN MGR	OPS MGR	SUB MAINT										
MH	EB	-	CM	-										

GENERAL NOTES

- A. THE STRUCTURE SHALL MEET THE APPLICABLE REQUIREMENTS OF THE LATEST REVISED EDITIONS OF THE FOLLOWING STANDARDS: ACI318, ASTM C-857 & AASHTO (WHICH INCLUDES AASHTO H-20 TRAFFIC WHEEL LOADING).
- B. FOR VAULT DESIGN PURPOSES, USE 3' GROUND WATER TABLE LEVEL.
- C. INTERIOR WALLS AND CEILING SHALL BE PAINTED WITH 2 COATS FLAT WHITE PAINT. (FRAZEE #410 LATEX OR APPROVED EQUAL).
- D. ALL JOINTS SHALL BE GASKETED AND WATERTIGHT.
- E. EXCAVATIONS PER CU 1600-4B, MINIMUM SIZE: 10'2" X 16'2" X DEPTH REQ'D - SEE MANUFACTURES SUGGESTED EXCAVATION SIZE.
- F. FOR REFERENCE SEE CU 1600-4D FOR TYPICAL VAULT SETTING DETAILS.
- G. PANEL OR TUNNEL STYLE REQUIRE APPROVAL BY ELECTRICAL ENGINEERING DIVISION.
- H. TRAFFIC STYLE TO INCLUDE 1 ACCESS LADDER.
- J. FOR VAULT VENTING, SEE CU 1700-6.
- K. FOR SUMP PUMP INSTALLATION, SEE CU 1700-5.
- L. FOR VAULT IDENTIFICATION, SEE C0 114-10.
- M. 1 5/8" X 1 5/8" X 48" GALV. UNISTRUT WITH SHORT SLOTS, SURFACE MOUNTED WITH 1/2" DIA. STAINLESS STEEL BOLTS AND WASHERS, FURNISHED AND INSTALLED BY VAULT MANUFACTURER.

NOTES

- 1. INSTALL VAULT WITH MINIMUM TWO NECK EXTENSION, 6" TO 12" THICK EACH.
- 2. INSTALL CUSTOM MADE NECK EXTENSION (6" TO 12" HIGH) IF ADJUSTMENT TO VAULT-TOP ELEVATION IS REQUIRED.
- 3. THE GRADE RINGS (NECK EXTENSION) SHOULD HAVE 6000 PSI BREAK TEST APPROVAL PRIOR TO SHIPMENT.
- 4. DRY PACK SHOULD BE WITH 6000 PSI COMPRESSIVE STRENGTH AND APPLIED TO NOT MORE THAN 3" THICK AND SUPPORTED BY STAINLESS STEEL WASHERS AT EVERY 12". AFTER APPLYING DRY PACK, VAULT SHOULD NOT BE EXPOSED TO TRAFFIC FOR 24 HOURS.
- 5. THIS STANDARD IS DEVELOPED BY USING MANUFACTURER INFORMATION. THE CONTRACTOR/INSTALLER TO CONTACT MANUFACTURER AND FOLLOW MANUFACTURER INSTRUCTION FOR PROPER EXCAVATION, SETTING AND INSTALLATION OF THIS VAULT.

NEW SHEET

FILENAME: CU1600-3L REV0

CITY OF ANAHEIM PUBLIC UTILITIES DEPARTMENT ELECTRICAL DIVISION T&D CONSTRUCTION STANDARDS		REVISION KEYS:	ADDED / REVISED TEXT	ADDED / REVISED MATERIAL	NEW SHEET
		DISTRIBUTION VAULT 8' x 20' x 9'-4" DEEP TRAFFIC FLAT WALL WITH 5'x8' OPENING			
APPROVALS					
PREP BY	T&D MGR	SYS PLN MGR	OPS MGR	SUB MAINT	
<i>MH</i>	<i>EB</i>	-	<i>CM</i>	-	