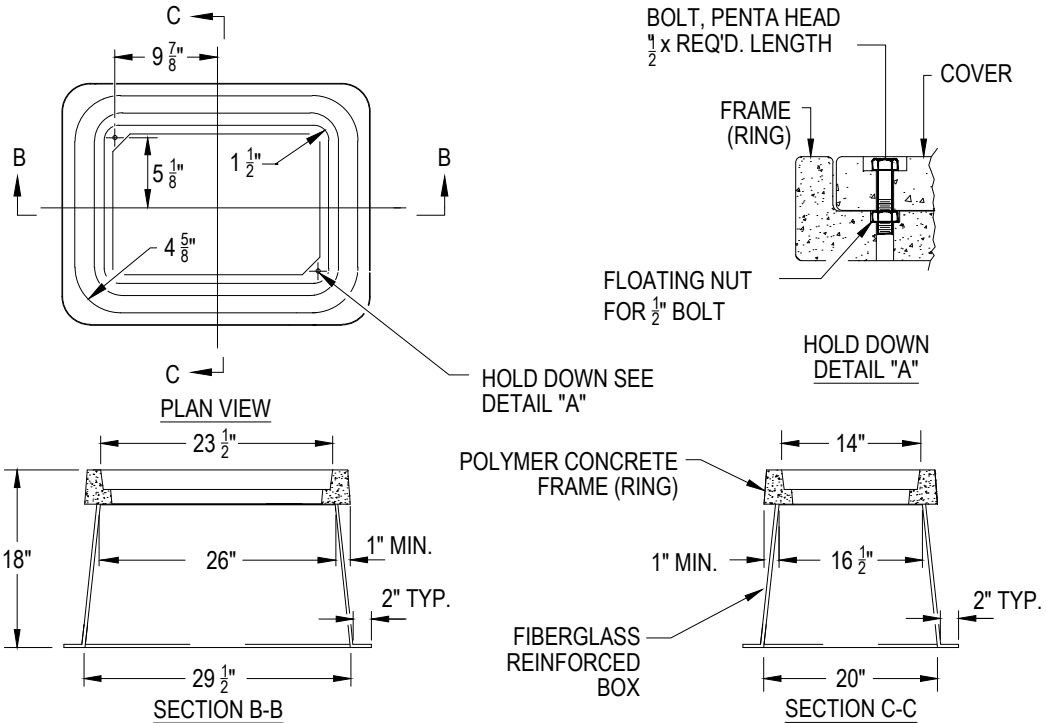
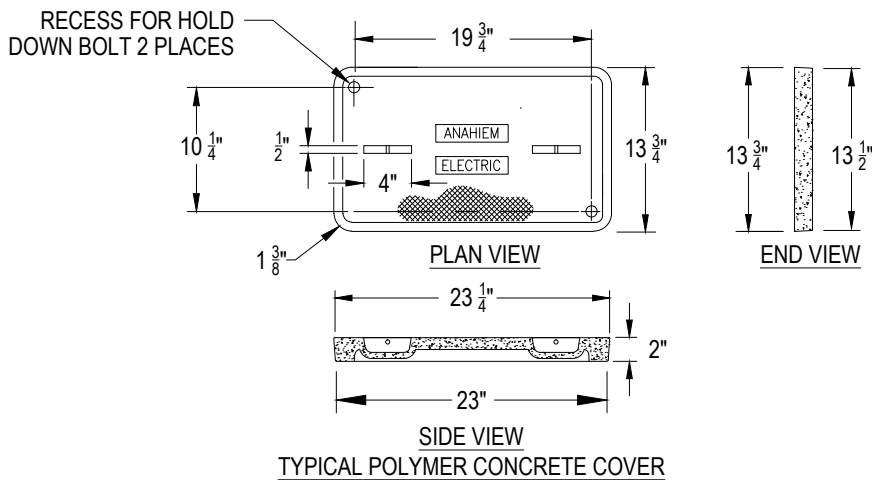


SCOPE: THIS STANDARD SHOWS DETAILS, SPECIFICATIONS, AND ORDERING INFORMATION FOR APPROVED 13"x24" FIBERGLASS REINFORCED OR PLASTIC (HDPE) PULL BOX FOR USE ON CITY ELECTRIC DISTRIBUTION, STREET LIGHTING AND TELECOMMUNICATIONS SYSTEMS. ALSO, THIS STANDARD SHOWS PULL BOXES AND COVERS OF VARIOUS MATERIALS NOW DESIGNATED FOR MAINTENANCE ONLY.

CAUTION: FIBERGLASS REINFORCED PULL BOX WITH POLYMER CONCRETE COVER SUITABLE FOR LANDSCAPE LOCATIONS OR LOCATIONS THAT MAY SEE OCCASIONAL NON-DELIBERATE TRAFFIC.



TYPICAL FIBERGLASS REINFORCED BOX

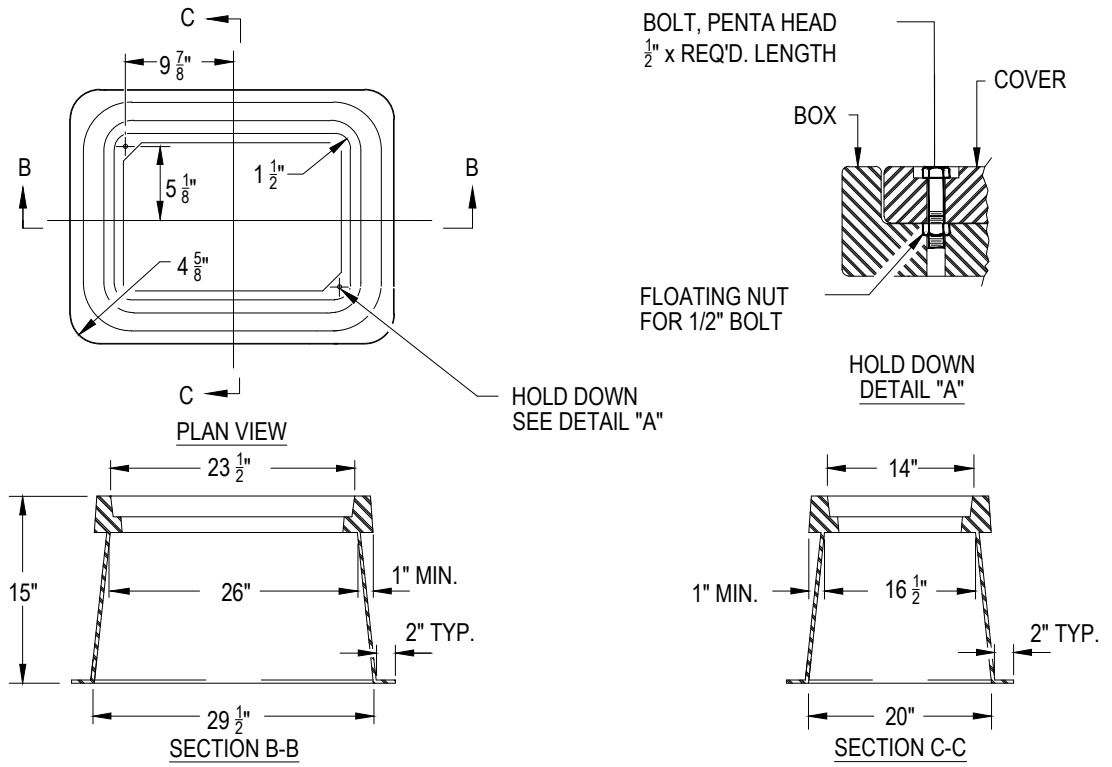


UPDATED MANUFACTURER TABLE

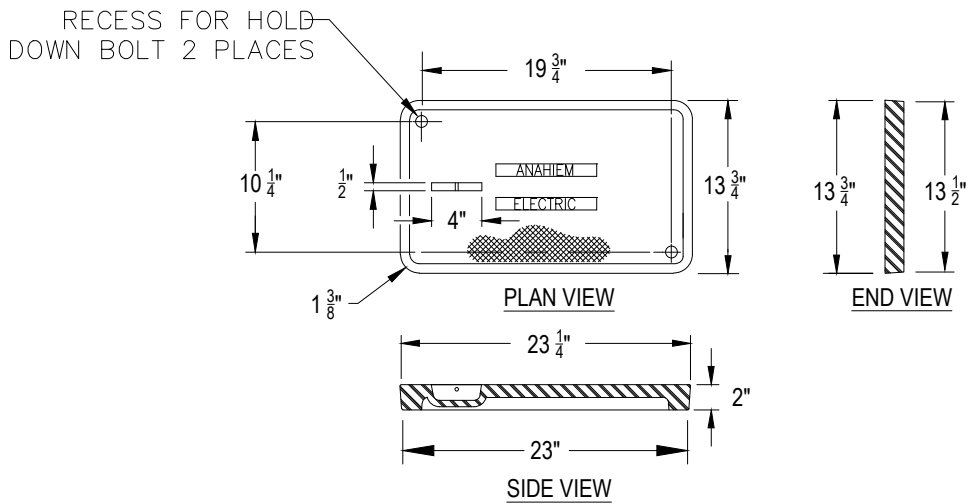
FILENAME: CU1500-1A REV7

CITY OF ANAHEIM PUBLIC UTILITIES DEPARTMENT ELECTRICAL DIVISION T&D CONSTRUCTION STANDARDS		REVISION KEYS:	ADDED / REVISED TEXT	ADDED / REVISED MATERIAL	NEW SHEET	NEW SHEET										
		13" x 24" PULL BOX AND COVER DETAILS				REVISION NO. 7	ISSUE DATE: 01-16									
SHEET 1 OF 4	CONSTRUCTION STANDARD:															
CU 1500-1A																
APPROVALS <table border="1"> <tr> <td>PREP BY</td> <td>T&D MGR</td> <td>SYS PLN MGR</td> <td>OPS MGR</td> <td>SUB MAINT</td> </tr> <tr> <td>MH</td> <td>ES</td> <td>--</td> <td>AT</td> <td>--</td> </tr> </table>							PREP BY	T&D MGR	SYS PLN MGR	OPS MGR	SUB MAINT	MH	ES	--	AT	--
PREP BY	T&D MGR	SYS PLN MGR	OPS MGR	SUB MAINT												
MH	ES	--	AT	--												

CAUTION: PLASTIC (HDPE) PULL BOX AND COVER SUITABLE FOR LANDSCAPE LOCATIONS ONLY.



TYPICAL PLASTIC (HDPE) BOX



TYPICAL PLASTIC (HDPE) COVER

UPDATED MANUFACTURER TABLE

FILENAME: CU1500-1A REV 7

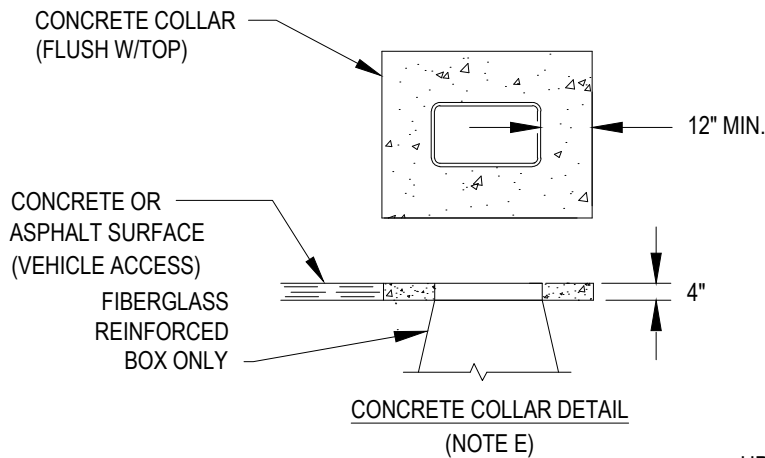
CITY OF ANAHEIM PUBLIC UTILITIES DEPARTMENT ELECTRICAL DIVISION T&D CONSTRUCTION STANDARDS	REVISION KEYS: ADDED / REVISED TEXT ADDED / REVISED MATERIAL	NEW SHEET	NEW SHEET
	13" x 24" PULL BOX AND COVER DETAILS	REVISION NO. 7	NEW SHEET
		ISSUE DATE: 01-16	NEW SHEET
		SHEET 2 OF 4	NEW SHEET
APPROVALS PREP BY T&D MGR SYS PLN MGR OPS MGR SUB MAINT -- --	CONSTRUCTION STANDARD: CU 1500-1A		



MAT'L	TYPE	MANUFACTURER & CATALOG NO.						ANAHEIM PART NO.	COMPATIBLE UNITS
		ARMORCAST	CDR	CARSON	NEWBASIS	SYNERTECH	MARTIN		
FIBERGLASS REINFORCED BOX W/POLY CONCRETE COVER. 18" DEEP	PULL BOX W/COVER	A6001946TAX18	PA12-1324-18	-	FCA132418T-900015	S1324B18AA	132418FRP-COA	486290	PB13X24POLY
	COVER ONLY	A6001969	-	-	PCC1324A1G20	S1324HBB0A	1324PC-COA	486295	PB13X24CVR
	WEIGHT # BOX/COVER	45/33	-	-	45/35	65/30	56/44	-	-
PLASTIC (HDPE) 15" DEEP	PULL BOX W/COVER	-	-	1324-15-3B	SGA132415-COA	-	-	486025	PBPLAS13X24
	COVER ONLY	-	-	1324-3PB	SGC1324-ANAELEC	-	-	486005	PBPLAS13X24CVR
	WEIGHT # BOX/COVER	-	-	20/6	17/8	-	-	-	-

NOTES:

- A. FIBERGLASS REINFORCED PULL BOX W/ POLYMER CONCRETE COVER SHALL BE 20,000# LOAD RATED AND MEET APPLICABLE REQUIREMENTS OF WESTERN UNDERGROUND COMMITTEE (WUC) GUIDE 3.6.
- B. PLASTIC (HDPE) PULL BOX & COVER SHALL BE 300# LOAD RATED (ASTM C857, A-0.3) AND MEET APPLICABLE REQUIREMENTS OF WUC GUIDE 3.6.
- C. COVERS SHALL BE FASTENED TO THE BOX USING TWO, 1/2"-13 UNC (UNIFIED NATIONAL COARSE) BY REQUIRED LENGTH NON-CORROSIVE PENTA-HEAD BOLTS.
- D. ALL COVERS SHALL CONFORM TO DIMENSIONS SHOWN AND BE INTERCHANGEABLE WITH ALL OTHER BOXES OF THE SAME SIZE AND MATERIAL MANUFACTURED PER THIS STANDARD
- E. FIBERGLASS REINFORCED PULL BOX SHALL BE SUITABLE FOR DIRECT BURIED INSTALLATION IN NATIVE SOIL (COMPACTED TO 95%) OR, EMBEDDED WITHIN CONCRETE OR ASPHALT SURFACE. WHEN EMBEDDED WITHIN CONCRETE OR ASPHALT SURFACE (OCCASIONAL TRAFFIC), A CONCRETE COLLAR 12" WIDE x 4" MINIMUM THICKNESS SHALL BE INSTALLED PER DETAIL BELOW.



UPDATED MANUFACTURER TABLE

FILENAME: CU1500-1A REV 7

CITY OF ANAHEIM PUBLIC UTILITIES DEPARTMENT ELECTRICAL DIVISION T&D CONSTRUCTION STANDARDS	REVISION KEYS: ADDED / REVISED TEXT ADDED / REVISED MATERIAL													
	<h2 style="margin: 0;">13" x 24" PULL BOX AND COVER DETAILS</h2>	REVISION NO. 7	ISSUE DATE: 01-16	SHEET 3 OF 4										
	CONSTRUCTION STANDARD: <h3 style="margin: 0;">CU 1500-1A</h3>													
	APPROVALS <table border="1" style="width: 100%; border-collapse: collapse;"> <tr> <th style="width: 15%;">PREP BY</th> <th style="width: 15%;">T&D MGR</th> <th style="width: 15%;">SYS PLN MGR</th> <th style="width: 15%;">OPS MGR</th> <th style="width: 15%;">SUB MAINT</th> </tr> <tr> <td style="text-align: center;"><i>MH</i></td> <td style="text-align: center;"><i>ES</i></td> <td style="text-align: center;">---</td> <td style="text-align: center;"><i>AT</i></td> <td style="text-align: center;">---</td> </tr> </table>	PREP BY	T&D MGR	SYS PLN MGR	OPS MGR	SUB MAINT	<i>MH</i>	<i>ES</i>	---	<i>AT</i>	---			
PREP BY	T&D MGR	SYS PLN MGR	OPS MGR	SUB MAINT										
<i>MH</i>	<i>ES</i>	---	<i>AT</i>	---										

NOTES: (CONTINUED)

- F. ALL COVERS SHALL HAVE HIGH COEFFICIENT OF FRICTION (EQUAL TO OR BETTER THAN 0.65), SLIP-RESISTANT SURFACE.
- G. COVER AND EXPOSED PORTIONS OF FIBERGLASS REINFORCED BOX SHALL BE CONCRETE COLOR.
- H. PLASTIC (HDPE) PULL BOX AND COVER SHALL BE GREEN COLOR.
- J. COVER MUST HAVE "ANAHEIM ELECTRIC" OR "ANAHEIM TELECOMM" IDENTIFICATION.
- K. BOX BODY AND COVER MUST BE LABELED WITH MANUFACTURER'S NAME AND CATALOG NUMBER ON INSIDE SURFACE.
- L. EXTENSIONS OF SAME MATERIAL AND MANUFACTURER MAY BE USED TO BRING COVER ON EXISTING INSTALLATIONS TO A NEW FINISH GRADE. CONSULT ELECTRICAL ENGINEERING DIVISION FOR APPROVAL.

APPLICATION:

SELECTION OF THE CORRECT TYPE OF PULL BOX INVOLVES JUDGMENT, TAKING INTO ACCOUNT THE PRESENT AND FUTURE INTENDED TRAFFIC FOR THE AREA WHERE THE PULL BOX WILL BE INSTALLED.

SUITABLE LOCATIONS FOR FIBERGLASS REINFORCED PULL BOXES ARE:

- SIDEWALKS;
- PEDESTRIAN TRAFFIC AREAS;
- LANDSCAPED AREAS;
- PARKWAY STRIPS ADJACENT TO CURBS;
- DRIVEWAYS;
- PARKING LOTS;
- COMMERCIAL/INDUSTRIAL AREAS.


SUITABLE LOCATIONS FOR PLASTIC (HDPE) PULL BOXES ARE LANDSCAPED AREAS ONLY AWAY FROM VEHICLE TRAFFIC.

ITEMS TO BE CONSIDERED IN SELECTION OF PULL BOXES ARE AS FOLLOW:

- A. NUMBER AND SIZE OF CABLES INVOLVED.
- B. LOCATION OF CONDUIT ENTRANCES, CABLE LAYOUT AND MINIMUM BENDING RADIUS OF CABLES.
- C. THESE PULL BOXES SHALL NOT BE USED FOR PRIMARY CABLES.
- D. DO NOT PAVE OVER COVER WHEN INSTALLED IN TRAFFIC AREAS.

FILENAME: CU1500-1A REV 7

UPDATED MANUFACTURER TABLE

CITY OF ANAHEIM PUBLIC UTILITIES DEPARTMENT ELECTRICAL DIVISION T&D CONSTRUCTION STANDARDS		REVISION KEYS:	 ADDED / REVISED TEXT	 ADDED / REVISED MATERIAL	NEW SHEET	NEW SHEET																		
		13" x 24" PULL BOX AND COVER DETAILS				REVISION NO.	7																	
ISSUE DATE :	01-16																							
SHEET	4 OF 4																							
CONSTRUCTION STANDARD:	CU 1500-1A																							
<table border="1" style="width: 100%; border-collapse: collapse;"> <thead> <tr> <th colspan="6">APPROVALS</th> </tr> <tr> <th>PREP BY</th> <th>T&D MGR</th> <th>SYS PLN MGR</th> <th>OPS MGR</th> <th>SUB MAINT</th> <th></th> </tr> </thead> <tbody> <tr> <td>MH</td> <td>ES</td> <td>--</td> <td>AT</td> <td>--</td> <td></td> </tr> </tbody> </table>							APPROVALS						PREP BY	T&D MGR	SYS PLN MGR	OPS MGR	SUB MAINT		MH	ES	--	AT	--	
APPROVALS																								
PREP BY	T&D MGR	SYS PLN MGR	OPS MGR	SUB MAINT																				
MH	ES	--	AT	--																				