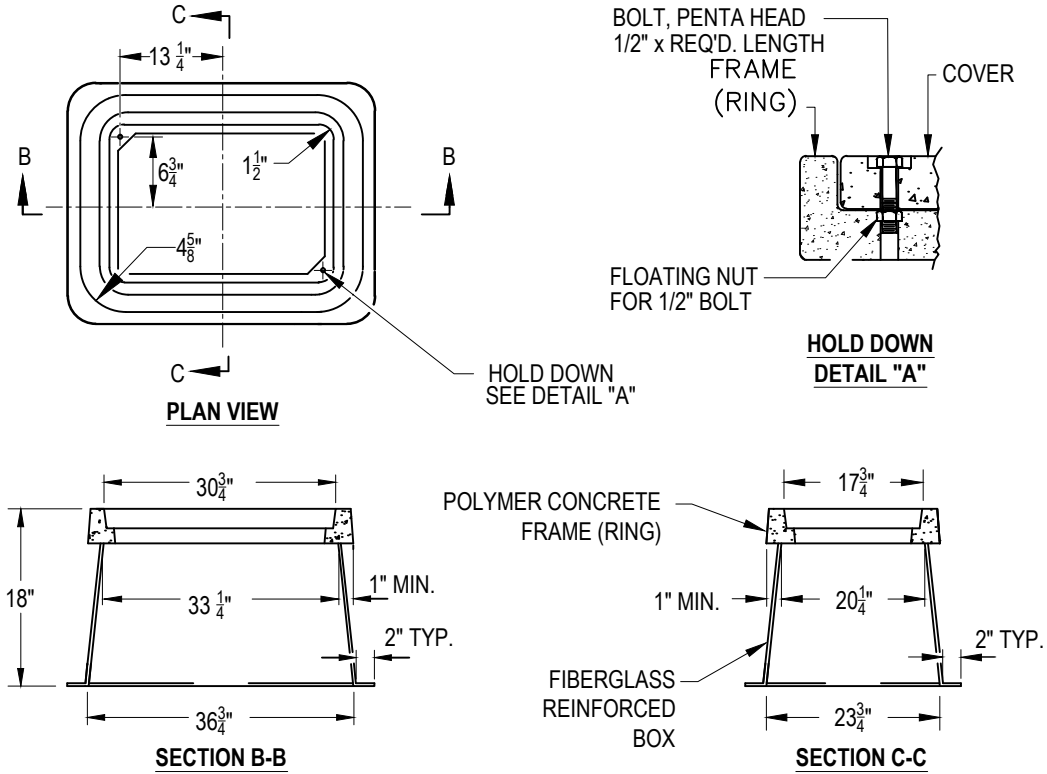
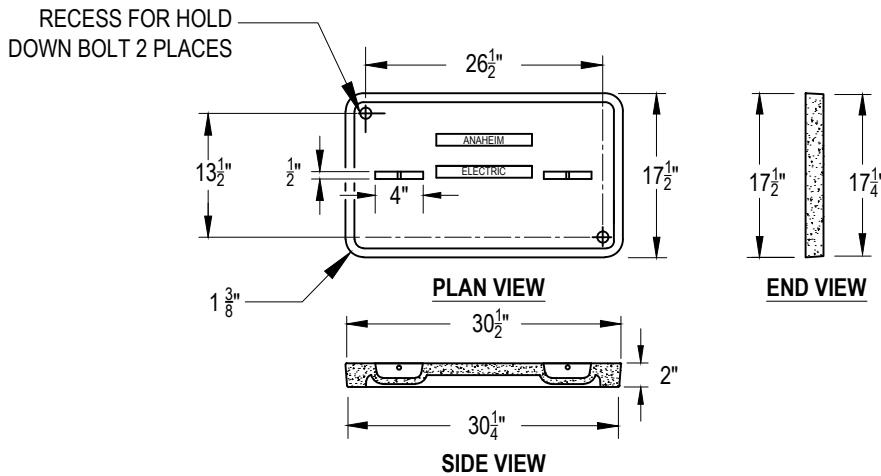


SCOPE: THIS STANDARD SHOWS DETAILS, SPECIFICATIONS, AND ORDERING INFORMATION FOR APPROVED 17"x30" FIBERGLASS REINFORCED PULL BOX FOR USE ON CITY'S ELECTRIC DISTRIBUTION, STREET LIGHTING AND TELECOMMUNICATIONS SYSTEMS. ALSO, THIS STANDARD SHOWS PULL BOXES AND COVERS OF VARIOUS MATERIALS NOW DESIGNATED FOR MAINTENANCE ONLY.

CAUTION: FIBERGLASS REINFORCED PULL BOX WITH POLYMER CONCRETE COVER SUITABLE FOR LANDSCAPED LOCATIONS OR LOCATIONS THAT MAY SEE OCCASIONAL NON-DELIBERATE TRAFFIC.



TYPICAL FIBERGLASS REINFORCED BOX



TYPICAL POLYMER CONCRETE COVER

UPDATED MANUFACTURER TABLE

FILENAME: CU1500-1B REV9

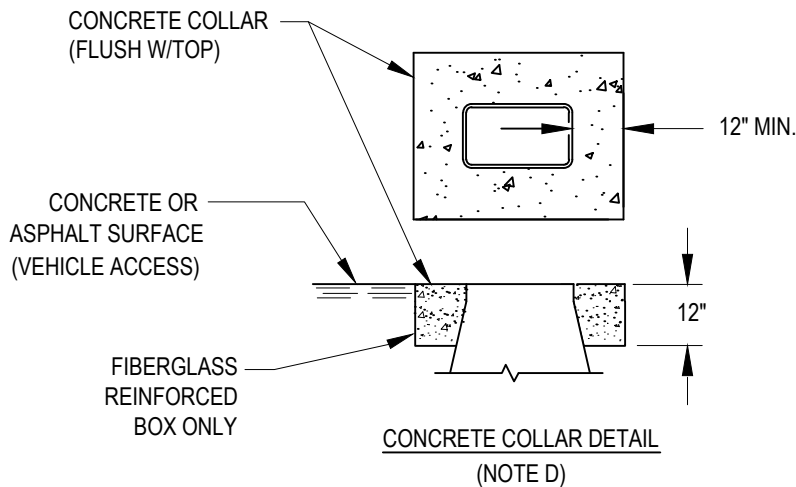
CITY OF ANAHEIM PUBLIC UTILITIES DEPARTMENT ELECTRICAL DIVISION T&D CONSTRUCTION STANDARDS		REVISION KEYS:	ADDED / REVISED TEXT	ADDED / REVISED MATERIAL	NEW SHEET	NEW SHEET
		17" x 30" PULL BOX AND COVER DETAILS				REVISION NO. 9
APPROVALS PREP BY: <i>MH</i> T&D MGR: <i>EB</i> SYS PLN MGR: N/A OPS MGR: <i>CMK</i> SUB MAINT: N/A					SHEET 1 OF 3	CONSTRUCTION STANDARD: CU 1500-1B

MAT'L	TYPE	MANUFACTURER & CATALOG NO.				ANAHEIM PART NO.	COMPATIBLE UNITS
		ARMORCAST	NEWBASIS	CDR	MARTIN		
FIBERGLASS REINFORCED BOX W/POLY CONCRETE COVER (18" DEEP)	PULL BOX W/COVER	A6001640TAX18	FCA173018T-90008	PA12-1730-18	173018FRP-COA	486300	PB17X30POLY
	ELECTRIC COVER ONLY	A6001947T	PCC1730P1-90008		1730PC-COA	486305	PB17X30PCVR
	COMM COVER ONLY	A6001947T-COA	PCC1730P1-90045			486325	
	WEIGHT # BOX/COVER	56/50	95/73			-	

NOTES:

- A. FIBERGLASS REINFORCED PULL BOX W/ POLYMER CONCRETE COVER SHALL BE 20,000# LOAD RATED AND MEET APPLICABLE REQUIREMENTS OF WESTERN UNDERGROUND (WUC) GUIDE 3.6.
- B. COVERS SHALL BE FASTENED TO THE BOX USING TWO, 1/2"-13 UNC (UNIFIED NATIONAL COARSE) BY LENGTH REQUIRED NON-CORROSIVE PENTA-HEAD BOLTS.
- C. ALL COVERS SHALL CONFORM TO DIMENSIONS SHOWN AND BE INTERCHANGEABLE WITH ALL OTHER BOXES OF THE SAME SIZE AND MATERIAL MANUFACTURED PER THIS STANDARD.
- D. FIBERGLASS REINFORCED PULL BOX SHALL BE SUITABLE FOR DIRECT BURIED INSTALLATION IN NATIVE SOIL (COMPACTED TO 95%) OR, EMBEDDED WITHIN CONCRETE OR ASPHALT SURFACE.

WHEN EMBEDDED WITH CONCRETE OR ASPHALT SURFACE (OCCASIONAL TRAFFIC, ALLEY WAY) A 4500 PSI CONCRETE COLLAR 12" WIDE AND 12" THICK SHOULD BE POURED ALL AROUND THE FRAME, CURE CONCRETE 3 DAYS BEFORE LOADING.



UPDATED MANUFACTURER TABLE

FILENAME: CU1500-1B REV9

CITY OF ANAHEIM PUBLIC UTILITIES DEPARTMENT ELECTRICAL DIVISION T&D CONSTRUCTION STANDARDS		REVISION KEYS:	ADDED / REVISED TEXT	ADDED / REVISED MATERIAL	NEW SHEET	NEW SHEET	
		17" x 30" PULL BOX AND COVER DETAILS				REVISION NO. 9	
APPROVALS						ISSUE DATE: 01-15	
PREP BY	T&D MGR	SYS PLN MGR	OPS MGR	SUB MAINT	SHEET 2 OF 3		
MH	EB	N/A	ML	N/A	CONSTRUCTION STANDARD:		
					CU 1500-1B		

NOTES: (CONTINUED)

- E. POLYMER CONCRETE COVER SHALL HAVE HIGH COEFFICIENT OF FRICTION EQUAL TO OR BETTER THAN 0.65 SLIP-RESISTANT SURFACE.
- F. COVER AND EXPOSED PORTIONS OF FIBERGLASS REINFORCED BOX SHALL BE CONCRETE COLOR.
- G. PURCHASE ORDER SHALL SPECIFY COVER MARKING AS "ANAHEIM ELECTRIC" OR "ANAHEIM COMM".
- H. BOX BODY AND COVER MUST BE LABELED WITH MANUFACTURER'S NAME AND CATALOG NUMBER ON INSIDE SURFACE.
- J. EXTENSIONS OF SAME MATERIAL AND MANUFACTURER MAY BE USED TO BRING COVER ON EXISTING INSTALLATIONS TO A NEW FINISH GRADE. CONSULT ELECTRICAL ENGINEERING DIVISION FOR APPROVAL.

APPLICATION:

SELECTION OF THE CORRECT TYPE OF PULL BOX INVOLVES JUDGMENT, TAKING INTO ACCOUNT THE PRESENT AND FUTURE INTENDED TRAFFIC FOR THE AREA WHERE THE PULL BOX WILL BE INSTALLED.

SUITABLE LOCATIONS FOR FIBERGLASS REINFORCED PULL BOXES ARE:



- SIDEWALKS; PEDESTRIAN TRAFFIC AREAS;
- LANDSCAPED AREAS;
- PARKWAY STRIPS ADJACENT TO CURBS;
- DRIVEWAYS;
- PARKING LOTS;
- COMMERCIAL/INDUSTRIAL AREAS.

ITEMS TO BE CONSIDERED IN SELECTION OF PULL BOXES ARE AS FOLLOW:

- A. NUMBER AND SIZE OF CABLES INVOLVED.
- B. LOCATION OF CONDUIT ENTRANCES, CABLE LAYOUT AND MINIMUM BENDING RADIUS OF CABLES.
- C. THESE PULL BOXES SHALL NOT BE USED FOR PRIMARY CABLES.
- D. DO NOT PAVE OVER COVER WHEN INSTALLED IN TRAFFIC AREAS.

FILENAME: CU1500-1B REV9

UPDATED MANUFACTURER TABLE

CITY OF ANAHEIM PUBLIC UTILITIES DEPARTMENT ELECTRICAL DIVISION T&D CONSTRUCTION STANDARDS		REVISION KEYS:		ADDED / REVISED TEXT		ADDED / REVISED MATERIAL	NEW SHEET	NEW SHEET															
		17" x 30" PULL BOX AND COVER DETAILS						REVISION NO. 9															
								ISSUE DATE: 01-15															
								SHEET 3 OF 3															
								CONSTRUCTION STANDARD:															
								CU 1500-1B															
<table border="1" style="width: 100%; border-collapse: collapse;"> <thead> <tr> <th colspan="5">APPROVALS</th> </tr> <tr> <th>PREP BY</th> <th>T&D MGR</th> <th>SYS PLN MGR</th> <th>OPS MGR</th> <th>SUB MAINT</th> </tr> </thead> <tbody> <tr> <td>MH</td> <td>EB</td> <td>N/A</td> <td>ML</td> <td>N/A</td> </tr> </tbody> </table>									APPROVALS					PREP BY	T&D MGR	SYS PLN MGR	OPS MGR	SUB MAINT	MH	EB	N/A	ML	N/A
APPROVALS																							
PREP BY	T&D MGR	SYS PLN MGR	OPS MGR	SUB MAINT																			
MH	EB	N/A	ML	N/A																			