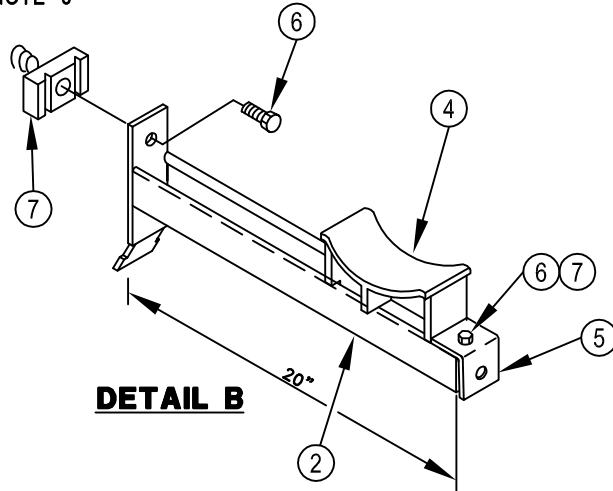
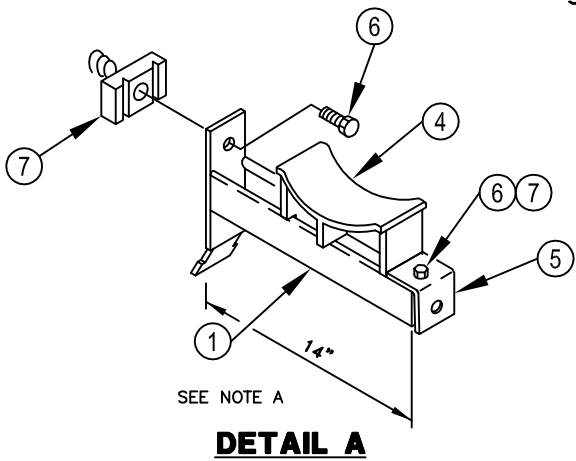
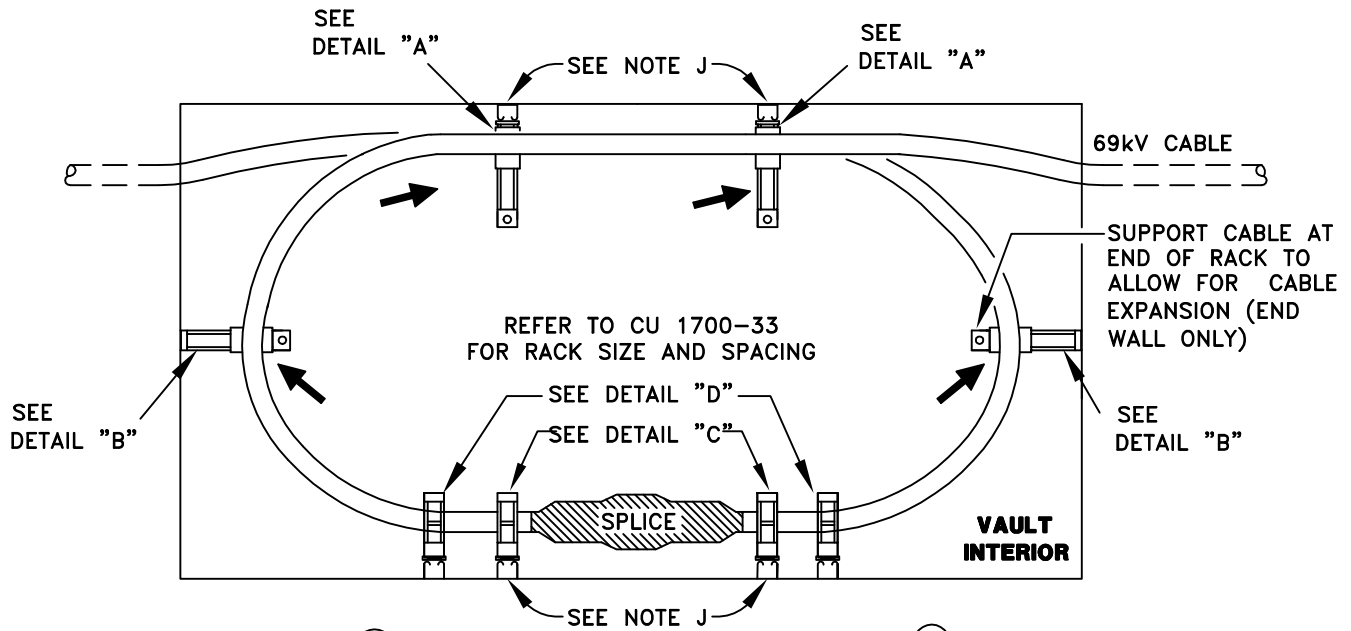
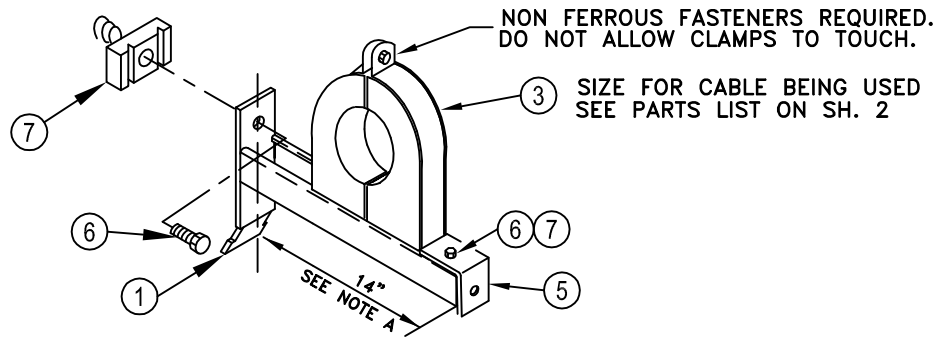


SCOPE: THIS STANDARD SHOWS 69KV CABLE AND 3KV SURGE ARRESTER RACKING DETAILS.



FIBERGLASS CABLE SADDLE AND RACK



**DETAIL C
POLYMER CABLE CLAMP AND RACK**

COMPLETELY MODIFIED SEE. SHEET 2 FOR MATERIAL LIST AND NOTES

FILENAME: CU1700-34 REV5

CITY OF ANAHEIM PUBLIC UTILITIES DEPARTMENT ELECTRICAL DIVISION T&D CONSTRUCTION STANDARDS	REVISION KEYS: ADDED / REVISED TEXT ADDED / REVISED MATERIAL	NEW SHEET
	69KV CABLE AND 3KV SURGE ARRESTER RACKING DETAILS	REVISION NO. 5
		ISSUE DATE: 01-08
		SHEET 1 OF 3
APPROVALS T&D MGR FIELD MGR OPER. MGR	CONSTRUCTION STANDARD: CU 1700-34	

MATERIAL LIST FOR DETAILS A, B & C (PER 69KV CIRCUIT)

ITEM	QTY	DESCRIPTION	ANAHEIM PART NO.	COMPATIBLE UNITS
1	12	14" CABLE RACK, UNISTRUT SUPPORT	448135	UNICBL14"-SUP
2	6	20" CABLE RACK, UNISTRUT SUPPORT	448137	UNICBL20"-SUP
3	6	CABLE CLAMP, 3/2" HOLE, POLYMER	568095	CLMPUPCBL3-1/2
		CABLE CLAMP, 3/8" HOLE, POLYMER	568100	CLMPUPCBL3-7/8
4	18	CABLE SADDLE, FIBERGLASS	448100	UNISADDLE
5	20	UNISTRUT ANGLE FITTING	448080	UNIANGLE
6	40	BOLT 1/2" X 3/4" LG. SILICONE BRONZE	550050	-
7	40	UNISTRUT SPRING NUT 1/2"	448090	-

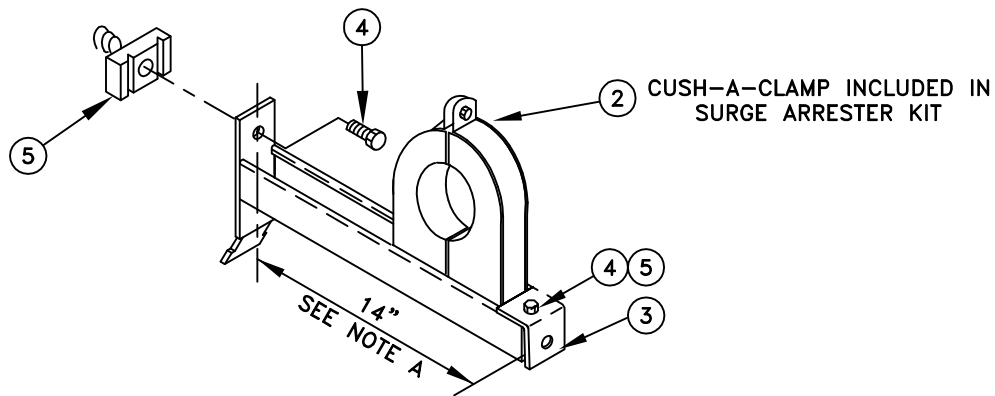
SEE NOTE A

SEE NOTE A

SEE NOTE B

ⓔ SEE NOTE C

SEE NOTE C



DETAIL D
CUSH-A-CLAMP AND RACK
 (FOR SURGE ARRESTER)

MATERIAL LIST FOR DETAIL D (PER EACH 3KV SURGE ARRESTER KIT)

ITEM	QTY	DESCRIPTION	ANAHEIM PART NO.	COMPATIBLE UNITS
1	3	14" CABLE RACK, UNISTRUT	448135	UNICBL14"-SUP
2	3	CUSH-A-CLAMP	-	-
3	3	UNISTRUT ANGLE FITTING	448080	UNIANGLE
4	6	BOLT 1/2" X 3/4" LG. SILICONE BRONZE	550050	-
5	6	UNISTRUT SPRING NUT 1/2"	448090	-

INCLUDED

ⓔ



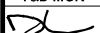
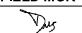

FILENAME: CU1700-34 REV5

<p>CITY OF ANAHEIM PUBLIC UTILITIES DEPARTMENT ELECTRICAL DIVISION T&D CONSTRUCTION STANDARDS</p>	REVISION KEYS:	[Pattern] ADDED / REVISED TEXT [Arrow] ADDED / REVISED MATERIAL	NEW SHEET
	<p>69KV CABLE AND 3KV SURGE ARRESTER RACKING DETAILS</p>		REVISION NO. 5 ISSUE DATE: 01-08 SHEET 2 OF 3 CONSTRUCTION STANDARD: CU 1700-34
APPROVALS			
T&D MGR	FIELD MGR	OPER. MGR	

NOTES:

- A. POLYMER CABLE CLAMP INCLUDES STRAPS AND 3/8" x 1/4" LG SILICONE BRONZE, MACHINE BOLT AND NUT.
- B. REQUIRED AS A RETAINER FOR CABLE SADDLES.
- C. FASTENERS REQUIRED TO INSTALL ITEMS 1, 2, 3, AND 6 FOR 69KV CABLE RACKING.
- D. SEE CU 1600-83 FOR BENDING RADIUS AND PULLING TENSIONS.
- ⬡ EXEMPT MATERIAL.
- F. SECURE CABLE SADDLE AND CABLE CLAMP AS CLOSE TO WALL AS POSSIBLE.

FILENAME: CU1700-34 REV5

CITY OF ANAHEIM PUBLIC UTILITIES DEPARTMENT ELECTRICAL DIVISION T&D CONSTRUCTION STANDARDS			REVISION KEYS:	 ADDED / REVISED TEXT	 ADDED / REVISED MATERIAL	NEW SHEET
			69KV CABLE AND 3KV SURGE ARRESTER RACKING DETAILS			
ISSUE DATE : 01-08						
SHEET 3 OF 3						
CONSTRUCTION STANDARD:						
APPROVALS T&D MGR FIELD MGR OPER. MGR   			CU 1700-34			