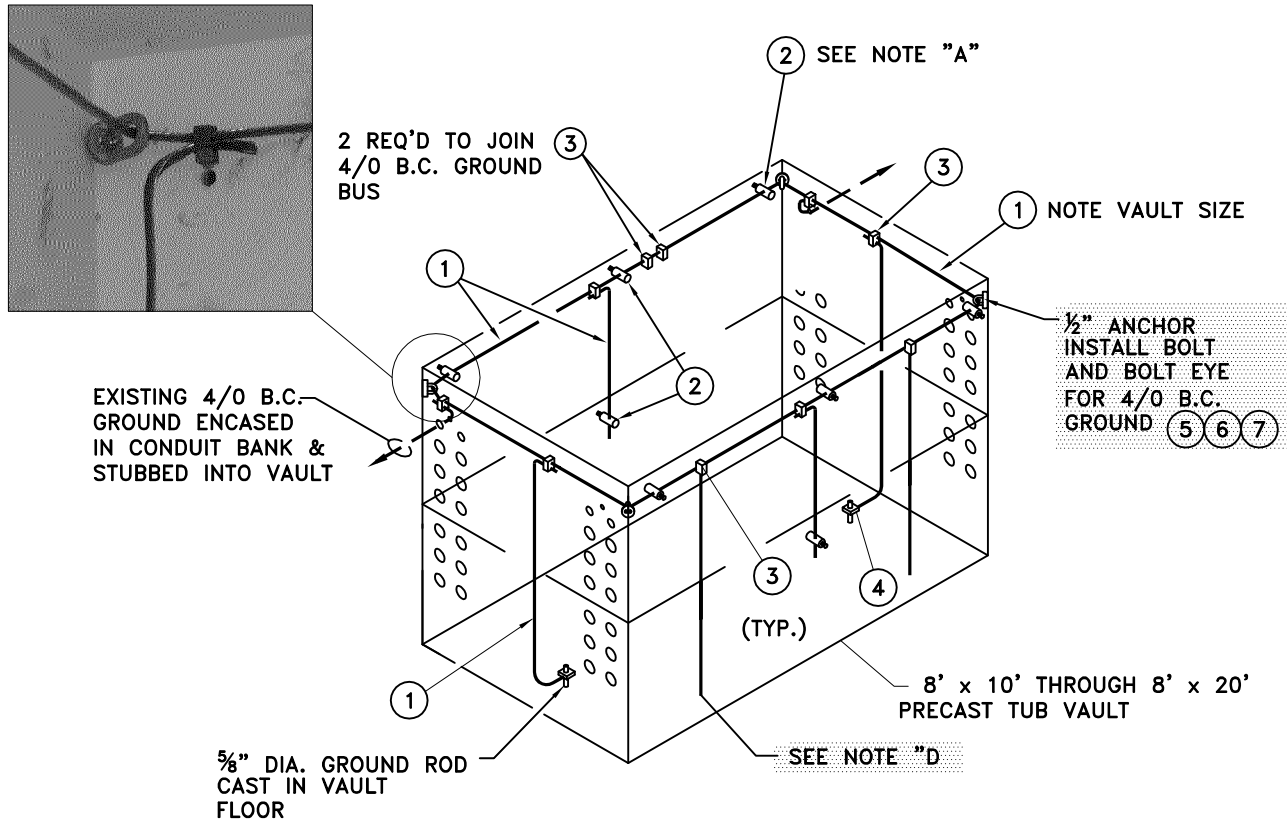


SCOPE: THIS STANDARD SHOWS DETAILS AND MATERIALS REQUIRED FOR BASIC GROUNDING WITHIN DISTRIBUTION AND TRANSMISSION VAULTS.



MATERIAL LIST

ITEM	QTY	DESCRIPTION	ANAHEIM PART NO.	COMPATIBLE UNITS
1	66 LF	(10' VAULT) WIRE #4/0 B.C. (19 STR.) SOFT	442145	W4/OBCUSOFT
	70 LF	(12' VAULT)		
	74 LF	(14' VAULT)		
	94 LF*	(16' VAULT)		
	86 LF	(20' VAULT)		
2	8	CONNECTOR, GRN'D 4/0 SPLIT BOLT W/STUD	504300	CNU4/0-W/STUD
3	10*	CONNECTOR, VISE TYPE, 4/0 CU.	552045	CNV4/0CU
4	2	CLAMP, GRN'D 4/0 CROSS TYPE	568090	GRNDCLMP4/0-500
5	4	BOLT EYE 5/8"	550015	-
6	4	1/2" x 2" MACHINE BOLT, SB	550060	-
7	4	1/2" ROUND WASHER, SB	564070	-

SEE NOTE "B"

SEE NOTE "A"

E
E
E

NOTES:

- A. INSTALL ITEM 2 INTO EXISTING 1/2" THREADED INSERTS IN VAULT WALLS (8 LOCATIONS). **DO NOT OVERTIGHTEN WHEN INSTALLING.**
- B. QUANTITY SHOWN IS MINIMUM LENGTH REQUIRED FOR NOTED VAULT SIZE.
- C. ADDITIONAL GROUNDING REQUIRED FOR INSTALLED EQUIPMENT.
- D. * ADD 2-8', 4/0 COPPERGROUND VERTICALS IF 3 KV SURGE ARRESTORS ARE USED IN 69KV VAULT.
- E. EXEMPT MATERIAL.

FILENAME: CU1700-31 REV3

CITY OF ANAHEIM PUBLIC UTILITIES DEPARTMENT ELECTRICAL DIVISION T&D CONSTRUCTION STANDARDS	REVISION KEYS:	[Pattern] ADDED / REVISED TEXT [Arrow] ADDED / REVISED MATERIAL	NEW SHEET
	BASIC VAULT GROUNDING DETAILS		
APPROVALS T&D MGR FIELD MGR OPER. MGR 			