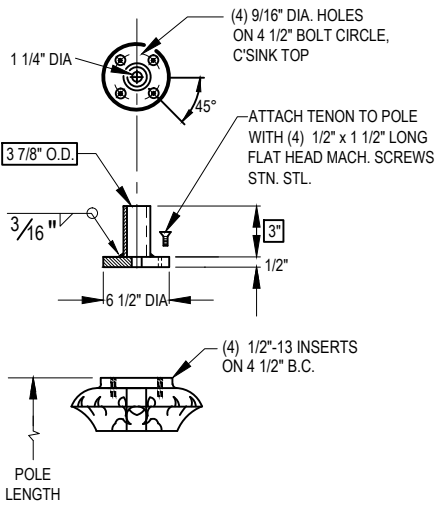
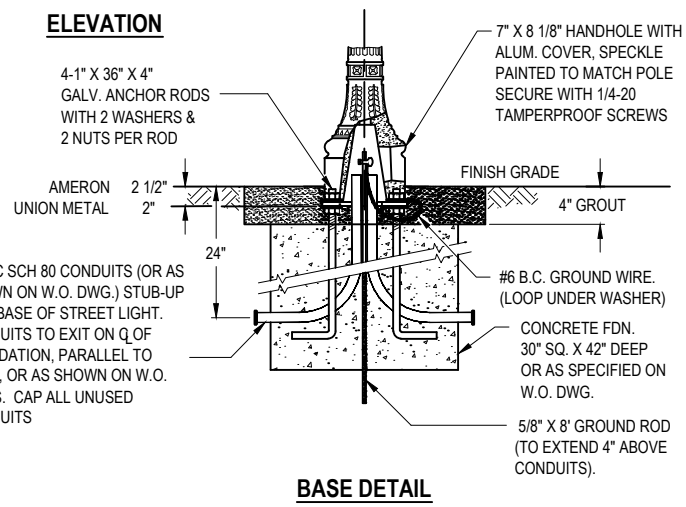
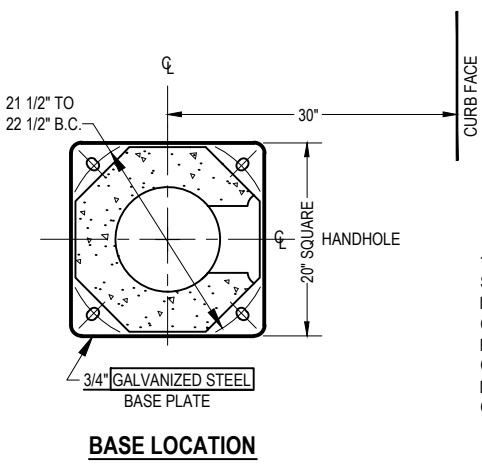
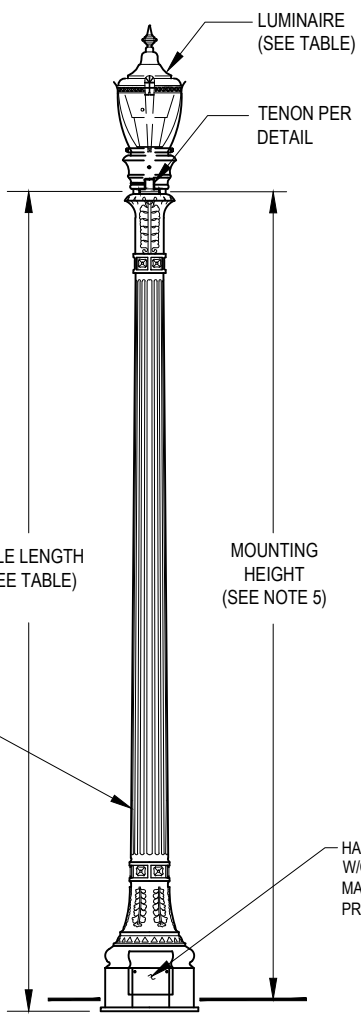


**SCOPE: THIS STANDARD SHOWS CITY OF ANAHEIM STREET LIGHT DESIGN #742 & 742A CONSTRUCTION AND DETAILS FOR ANAHEIM COLONY HISTORIC DISTRICT.**



ST.LT. DESIGN	POLE HEIGHT (NOM.)	MOUNTING HEIGHT (NOM.)
742	15'-0"	14'-10"
742A	12'-9"	12'-7"



FILENAME: L129 REV9

**CITY OF ANAHEIM**  
PUBLIC UTILITIES DEPARTMENT  
ELECTRICAL DIVISION  
T&D CONSTRUCTION STANDARDS

APPROVALS

PREP BY	T&D MGR	SYS PLN MGR	OPS MGR	SUB MAINT
MH	EB	N/A	CMR	N/A

REVISION KEYS:

ADDED / REVISED TEXT

ADDED / REVISED MATERIAL

**CITY OF ANAHEIM**  
**STREET LIGHT DESIGN #742 & 742A**  
**ANAHEIM COLONY HISTORIC DISTRICT**

NEW SHEET	NEW SHEET
REVISION NO. 9	
ISSUE DATE: 01-15	
SHEET 1 OF 2	
CONSTRUCTION STANDARD:	L 129

**NOTES:**

1. POLE CONCRETE SHALL BE 6000 PSI COMPRESSION MINIMUM IN 28 DAYS, MANUFACTURED TO ASTM C 1089-88.
2. THE POLE SHALL BE BLACK AND WHITE AND ENTIRELY COATED WITH AMERISHIELD ANTI-GRAFFITI SEALER.
3. BASE PLATE ASTM A-36 FULLY PRESTRESSED WITH (8) 5/16" DIAMETER, A-416 WIRES MINIMUM.
4. FOR DESIGN 742 COMPLETE POLE UNIT WITHOUT THE LUMINAIRE, ORDER "AMERON" PART NUMBER **20CT15** FOR DESIGN 742A ORDER "AMERON" PART NUMBER 20C12.
5. MOUNTING HEIGHT FOR DESIGN 742 IS 14'-10" AND FOR DESIGN 742A IS 12'-7".
6. WIRING SHALL BE # 14 COPPER WIRES WITH XHHW-2 INSULATION (BLACK-PHASE, WHITE- NEUTRAL, GREEN-GROUND).
7. THE SUGGESTED POLE MANUFACTURER IS "AMERON", VENDORS TO ORDER THE UNIT ARE PACIFIC LIGHT CORPORATION, ONE SOURCE, WESCO, HD-SUPPLY.
8. FOR LUMINAIRE DETAIL SEE CONSTRUCTION STANDARD L129-3.

ITEM	QTY	DESCRIPTION	POLE DESIGN	ANAHEIM PART NO.	COMPATIBLE UNIT
1	-	POLE WITH TENONS AND ANCHOR BOLTS	DESIGN 742 15' NOMINAL	476220	SLDES74215
		POLE WITH TENONS AND ANCHOR BOLTS	DESIGN 742A 12'-9" NOMINAL	-	-
2	1	TENON, SPACER	DESIGN 742 & 742A	476225	-
3	1	LUMINAIRE 100 WATT, 120 VOLTS	DESIGN 742 & 742A	474195	L742/743FLM120V
		LUMINAIRE 200 WATT, 240 VOLTS	DESIGN 742 & 742A	474200	L742/743FLM240V

FILENAME: L129 REV9

<b>CITY OF ANAHEIM</b> PUBLIC UTILITIES DEPARTMENT ELECTRICAL DIVISION T&D CONSTRUCTION STANDARDS		REVISION KEYS:		ADDED / REVISED TEXT	ADDED / REVISED MATERIAL	NEW SHEET	NEW SHEET
		<b>CITY OF ANAHEIM</b> <b>STREET LIGHT DESIGN #742 &amp; 742A</b> <b>ANAHEIM COLONY HISTORIC DISTRICT</b>				REVISION NO. <b>9</b>	ISSUE DATE: <b>01-15</b>
APPROVALS						SHEET <b>2</b> OF <b>2</b>	
PREP BY	T&D MGR	SYS PLN MGR	OPS MGR	SUB MAINT		CONSTRUCTION STANDARD:	
<i>MH</i>	<i>EB</i>	N/A	<i>cmk</i>	N/A		<b>L 129</b>	