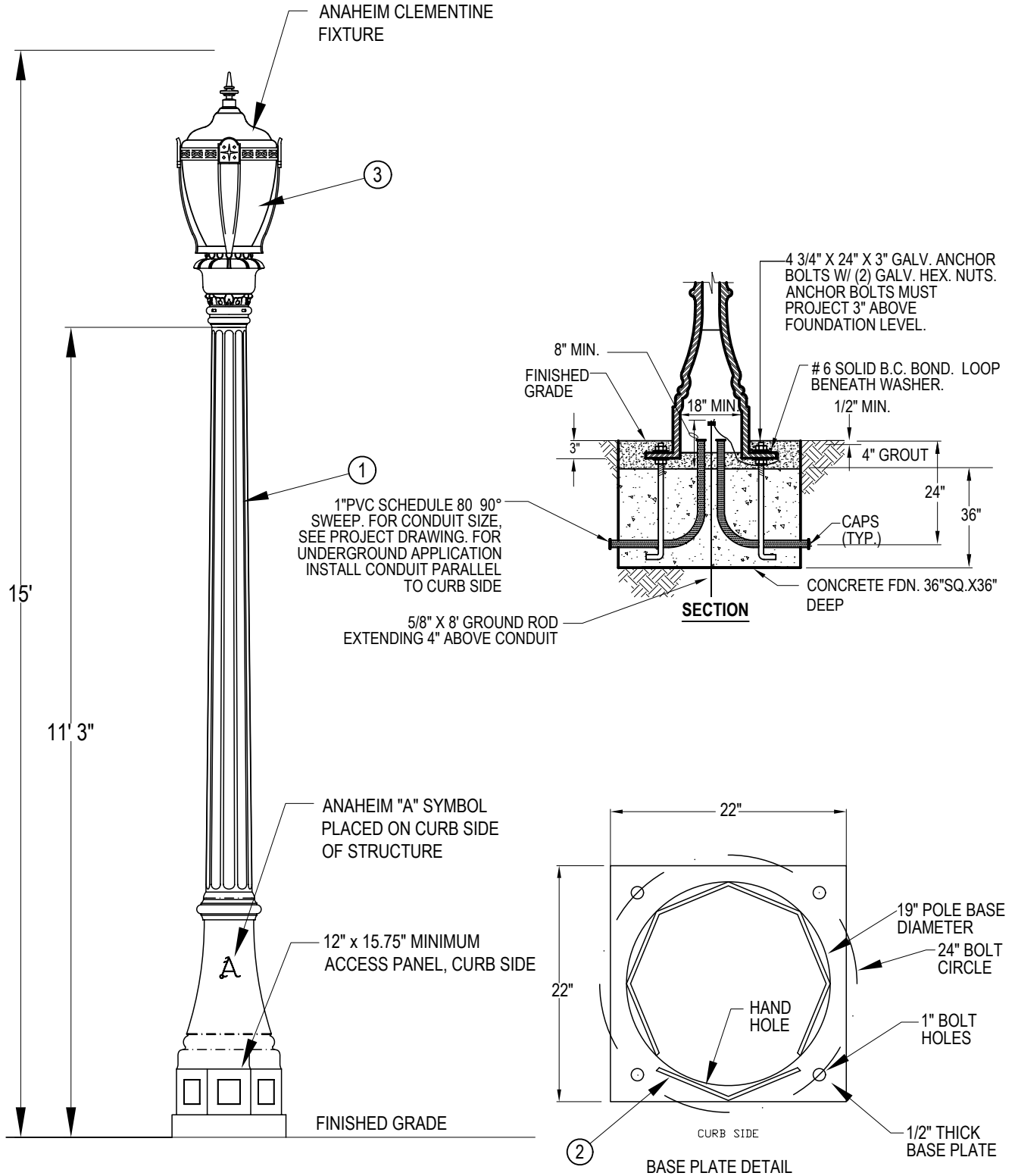


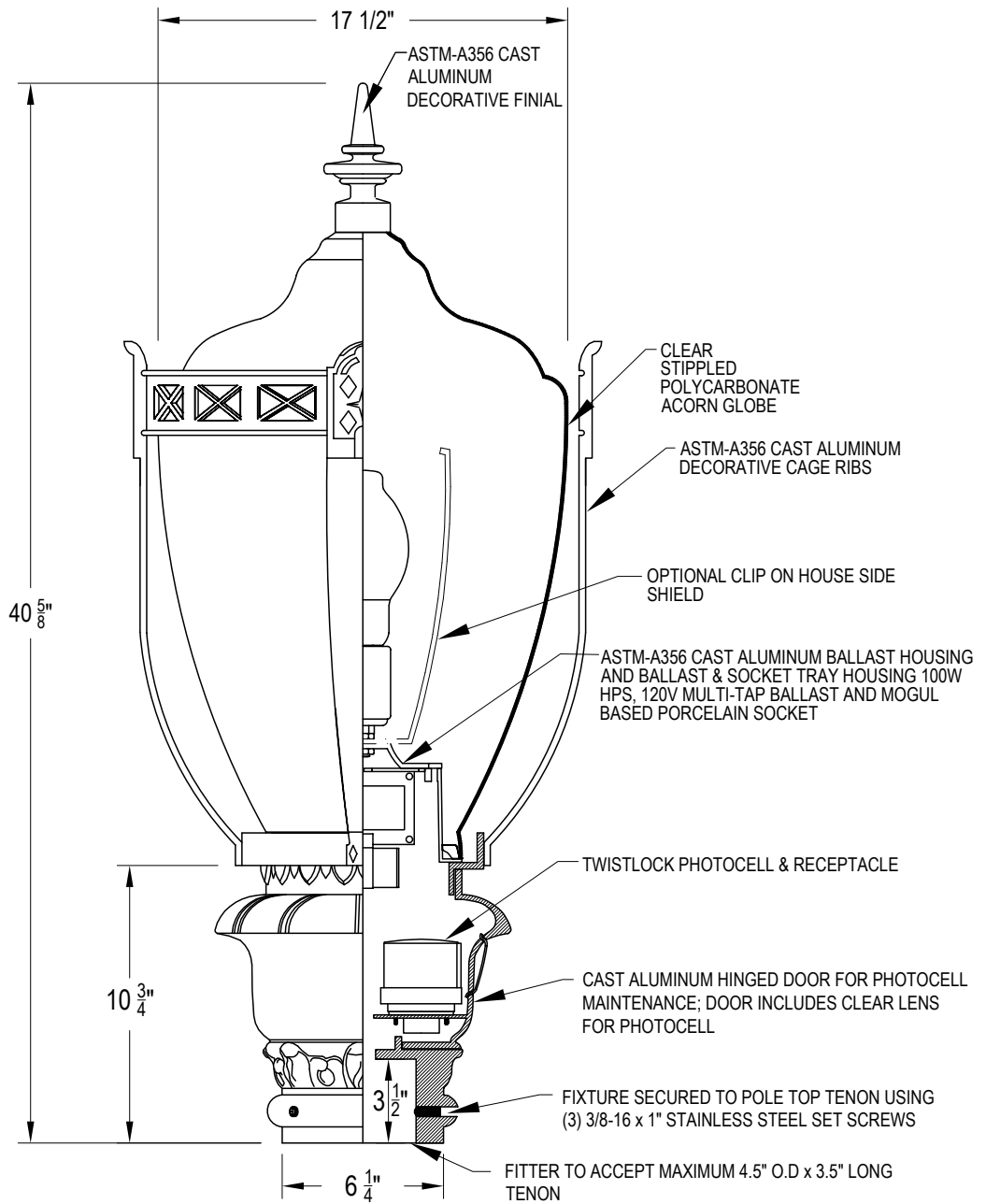
SCOPE: THIS STANDARD SHOWS CITY OF ANAHEIM STREET LIGHT DESIGN #761 CONSTRUCTION AND DETAILS FOR CLEMENTINE STREET.



FILENAME: L142 REV0

CITY OF ANAHEIM PUBLIC UTILITIES DEPARTMENT ELECTRICAL DIVISION T&D CONSTRUCTION STANDARDS	REVISION KEYS: ADDED / REVISED TEXT ADDED / REVISED MATERIAL	NEW SHEET
	CITY OF ANAHEIM STREET LIGHT DESIGN #761 CLEMENTINE STREET	
APPROVALS T&D MGR FIELD MGR OPER. MGR	REVISION NO. 0 ISSUE DATE: 01-10 SHEET 1 OF 3 CONSTRUCTION STANDARD: L 142	

FILENAME: L142 REV0



CITY OF ANAHEIM PUBLIC UTILITIES DEPARTMENT ELECTRICAL DIVISION T&D CONSTRUCTION STANDARDS		
APPROVALS		
T&D MGR	FIELD MGR	OPER. MGR
<i>[Signature]</i>	<i>[Signature]</i>	<i>[Signature]</i>

REVISION KEYS:	ADDED / REVISED TEXT	ADDED / REVISED MATERIAL	NEW SHEET
CITY OF ANAHEIM			
STREET LIGHT DESIGN #761			
CLEMENTINE STREET			

REVISION NO.	0
ISSUE DATE :	01-10
SHEET	2 OF 3
CONSTRUCTION STANDARD:	L 142

NOTES:

1. THE POLE SHALL BE GREEN COLOR (ANAHEIM SPEC) FIXTURE CAGE AND FINIAL SILVER COLOR (ANAHEIM SPEC.), A356 CAST ALUMINUM, POLE SHAFT AND BASE ASSEMBLY HEAVY DUTY, CORROSION RESISTANT WITH FOUR (4)- 3/4" x 24" x 3" HOT DIPPED GALVANIZED ANCHOR BOLTS WITH DOUBLE NUTS AND WASHERS.
2. WIRING SHALL BE #14 COPPER WIRES WITH XHHW-2 INSULATION (BLACK-PHASE, WHITE-NEUTRAL, GREEN-GROUND).
3. THE POLE AND LUMINAIRE MANUFACTURER IS SOUTHCOAST LIGHTING.

ITEM	QTY	DESCRIPTION	SOUTHCOAST PART NO.	ANAHEIM PART NO.	COMPATIBLE UNIT
1	1	POLE SHAFT AND BASE ASSEMBLY WITH ANCHOR BOLTS	CD761-L142-SINGLE	E476315M	SLDES761
2	1	ACCESS PANEL	CD761-HH	E476320M	-
3	1	LUMINAIRE 100 WATT, 120 VOLTS	L142-100W-HPS	E474280M	L761FLM120V
4	1	BALLAST, KIT ASSEMBLY, 100W	-	E466075M	L761FLM120V
5	1	LAMP, 100W, HPS, 120V	-	E470045M	LAMP100HP

FILENAME: L142 REV0

CITY OF ANAHEIM PUBLIC UTILITIES DEPARTMENT ELECTRICAL DIVISION T&D CONSTRUCTION STANDARDS	REVISION KEYS:  ADDED / REVISED TEXT	 ADDED / REVISED MATERIAL	 NEW SHEET
	CITY OF ANAHEIM STREET LIGHT DESIGN #761 CLEMTINE STREET		
	REVISION NO. 0 ISSUE DATE : 01-10 SHEET 3 OF 3 CONSTRUCTION STANDARD:		
	L 142		
APPROVALS			
T&D MGR 	FIELD MGR 	OPER. MGR 	