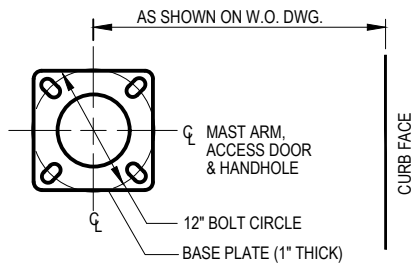
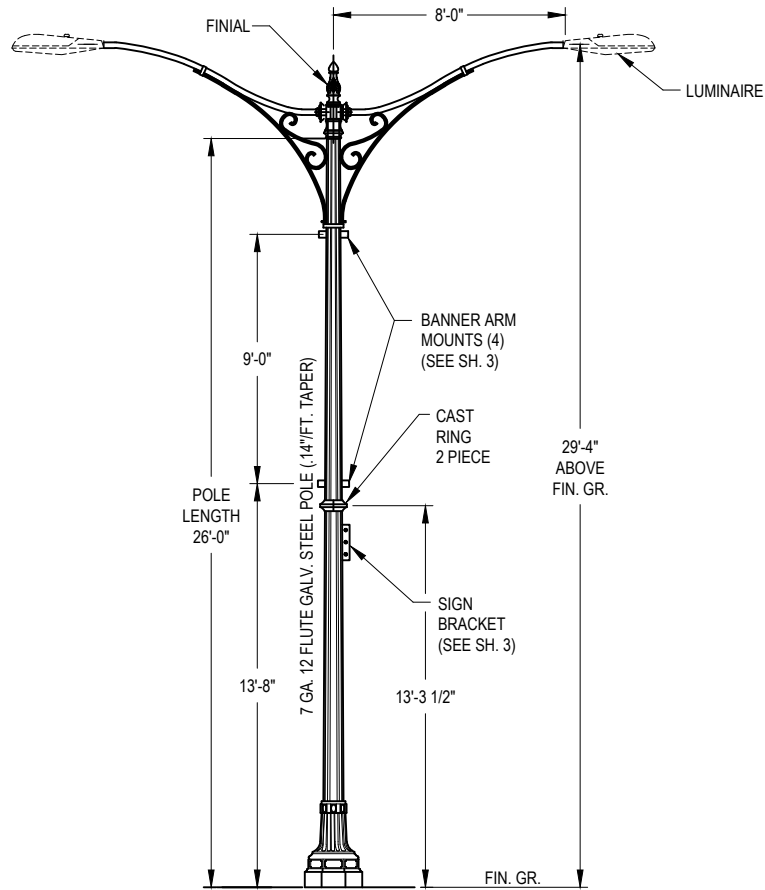
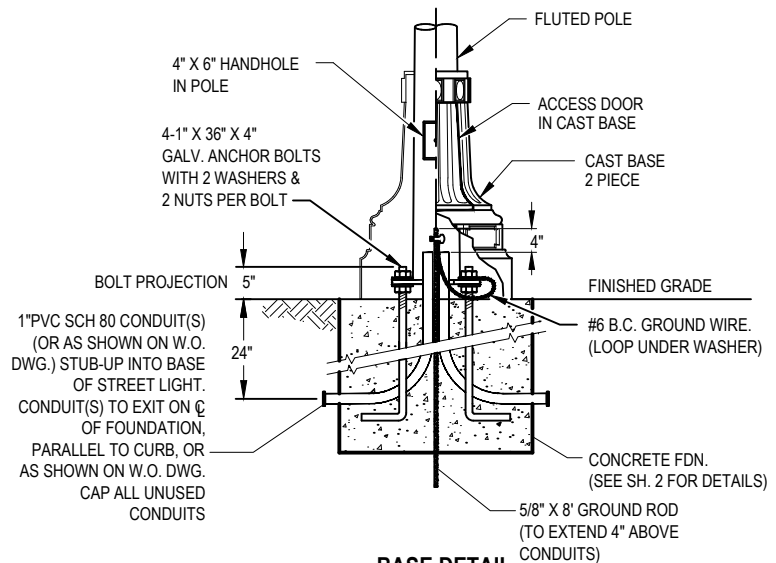


SCOPE: THIS STANDARD SHOWS CONSTRUCTION AND DETAILS OF CITY OF ANAHEIM STREET LIGHT SPECIAL DESIGN #745 FOR ANAHEIM RECREATIONAL AREA.



BASE PLATE DETAIL



BASE DETAIL

FILENAME: L132 REV 4

CITY OF ANAHEIM
PUBLIC UTILITIES DEPARTMENT
ELECTRICAL DIVISION
T&D CONSTRUCTION STANDARDS

| APPROVALS | | | | |
|-----------|---------|-------------|---------|-----------|
| PREP BY | T&D MGR | SYS PLN MGR | OPS MGR | SUB MAINT |
| MH | EB | N/A | DA | N/A |

REVISION KEYS:



ADDED / REVISED TEXT



ADDED / REVISED MATERIAL

NEW SHEET

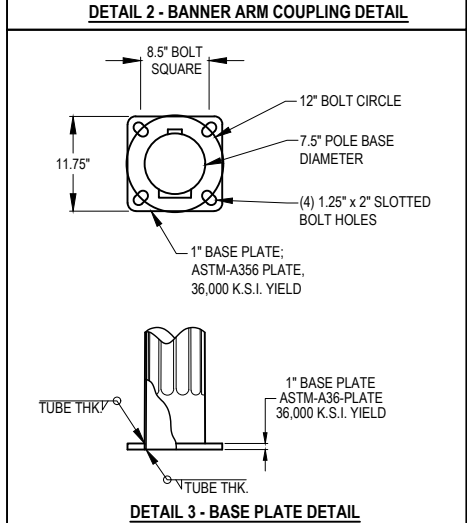
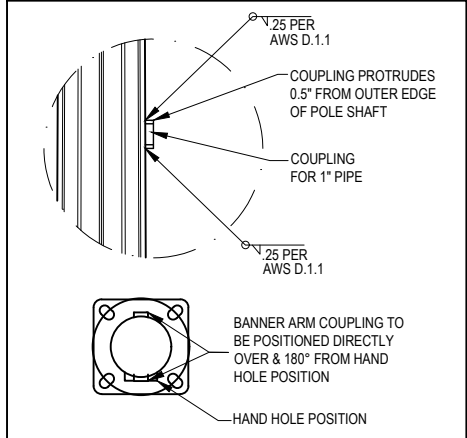
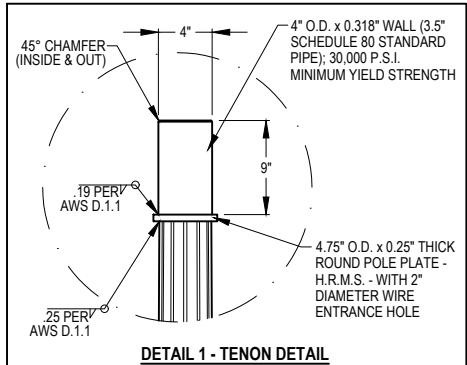
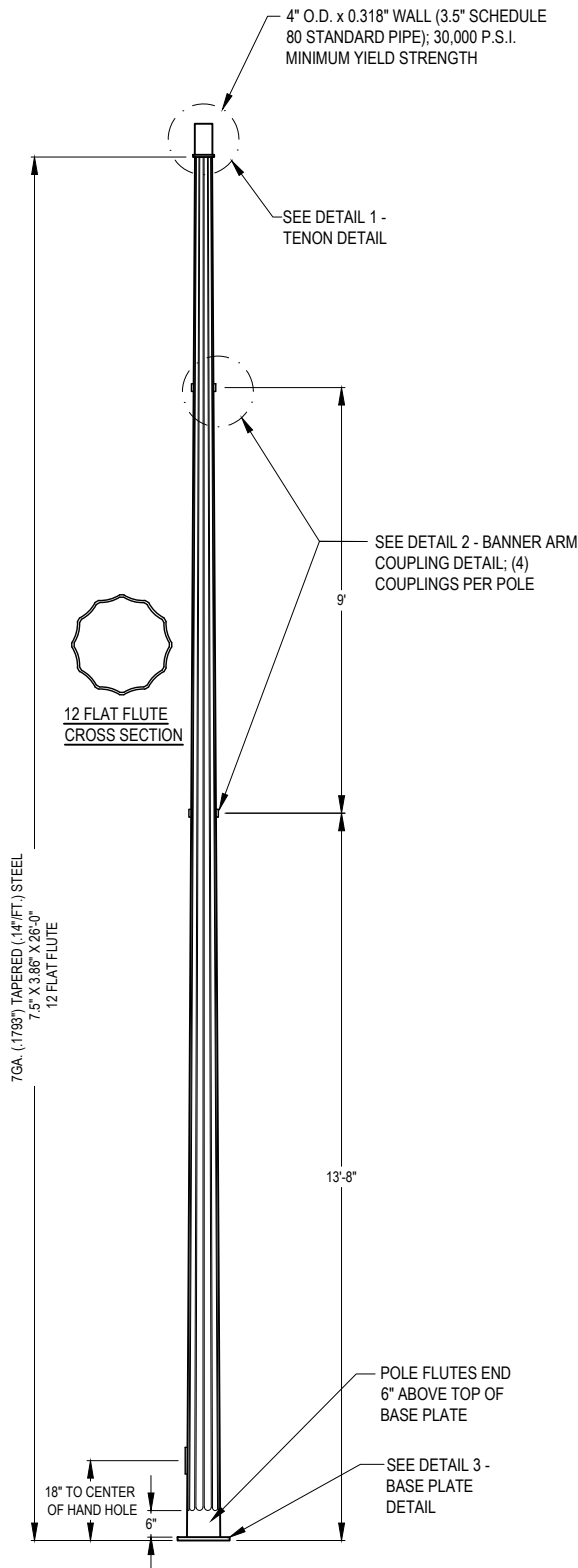
NEW SHEET

CITY OF ANAHEIM
STREET LIGHT DESIGN #745
ANAHEIM RESORT AREA

REVISION NO. **4**
ISSUE DATE: **01-17**
SHEET **1** OF **4**
CONSTRUCTION STANDARD:

L 132

FILENAME: L132 REV 4



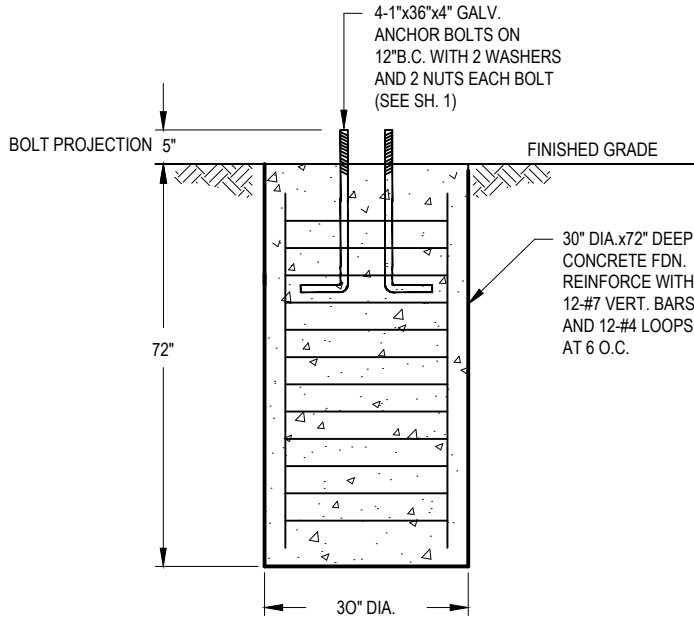
- NOTES:
1. ALL WELDING TO BE DONE PER A.W.S. D1.1
 2. POLE SHAFT AND ALL STEEL COMPONENTS GALVANIZED TO ASTM-A123 PRIOR TO FINISHING PROCEDURE

| | | | | |
|-----------------------------|---------|-------------|---------|-----------|
| CITY OF ANAHEIM | | | | |
| PUBLIC UTILITIES DEPARTMENT | | | | |
| ELECTRICAL DIVISION | | | | |
| T&D CONSTRUCTION STANDARDS | | | | |
| APPROVALS | | | | |
| PREP BY | T&D MGR | SYS PLN MGR | OPS MGR | SUB MAINT |
| MH | EB | N/A | DA | N/A |

| | | |
|----------------|----------------------|--------------------------|
| REVISION KEYS: | ADDED / REVISED TEXT | ADDED / REVISED MATERIAL |
|----------------|----------------------|--------------------------|

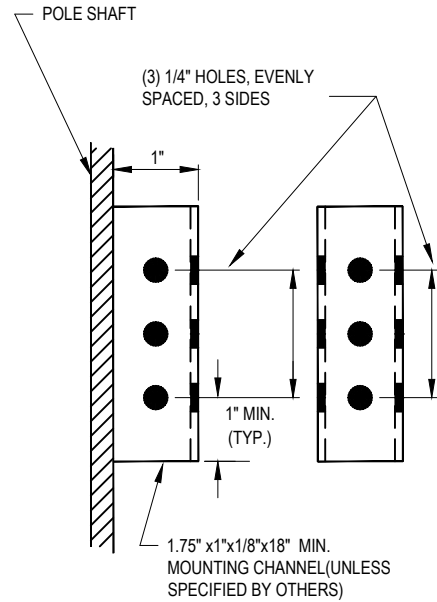
CITY OF ANAHEIM
STREET LIGHT DESIGN #745
ANAHEIM RESORT AREA

| | |
|------------------------|---------------|
| NEW SHEET | NEW SHEET |
| REVISION NO. | 4 |
| ISSUE DATE : | 01-17 |
| SHEET | 2 OF 4 |
| CONSTRUCTION STANDARD: | |
| L 132 | |

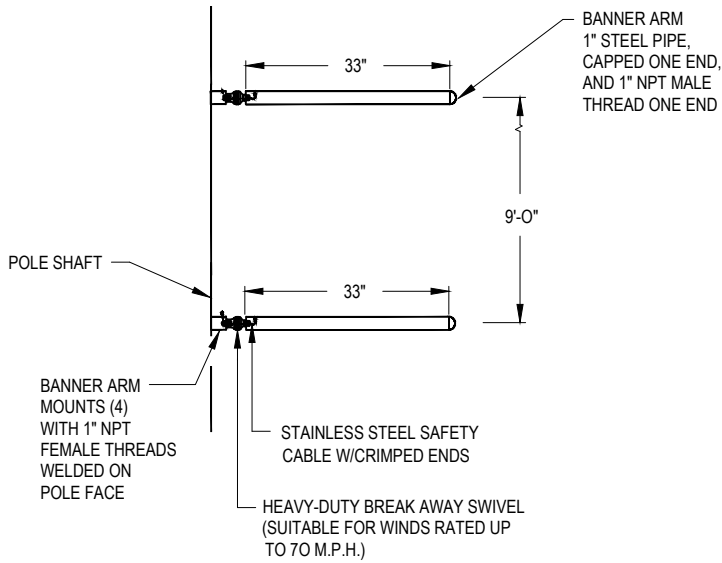


FOUNDATION DETAIL

SEE SH. 1 FOR CONDUIT & GROUND ROD PLACEMENT



SIGN BRACKET



BANNER ARM DETAIL

BANNER ARMS SHALL BE INSTALLED ON STREET LIGHT POLES IF ADDRESSED IN W.O. PACKAGE

FILENAME: L132 REV 4

CITY OF ANAHEIM
PUBLIC UTILITIES DEPARTMENT
ELECTRICAL DIVISION
T&D CONSTRUCTION STANDARDS

| APPROVALS | | | | |
|-----------|---------|-------------|---------|-----------|
| PREP BY | T&D MGR | SYS PLN MGR | OPS MGR | SUB MAINT |
| MH | ES | N/A | DA | N/A |

REVISION KEYS:



ADDED / REVISED TEXT



ADDED / REVISED MATERIAL

NEW SHEET

NEW SHEET

CITY OF ANAHEIM
STREET LIGHT DESIGN #745
ANAHEIM RESORT AREA

REVISION NO. **4**
ISSUE DATE: **01-17**
SHEET **3** OF **4**
CONSTRUCTION STANDARD:

L 132

NOTES:

1. STEEL TO BE HIGH TENSILE STRENGTH. CAST ALUMINUM TO BE 319 ALLOY OR AS SPECIFIED.
2. ALL FASTENERS TO BE STAINLESS STEEL.
3. WIRING SHALL BE #14 COPPER XHHW-2 MINIMUM WIRES-(BLACK-PHASE, WHITE-NEUTRAL, GREEN-GROUND).
4. COMPATIBLE UNIT FOR ITEM 1 OF BILL OF MATERIAL TABLE, INCLUDES, POLE, MAST ARM AND THE CAST BASES. COMPATIBLE UNIT FOR ITEM 4 OF MATERIAL TABLE INCLUDES LAMP AND PHOTO CONTROL.
5. POLE SHAFT AND ALL STEEL COMPONENTS SHALL BE HOT- DIP GALVANIZED (HDG) TO ASTM A123 PRIOR TO FINISHING PROCEDURE.
6. FINISH FOR ANAHEIM RECREATION AREA (ARA):
 - a. ALL ITEMS EXCEPT FINIAL SHALL BE GREEN, SEMI-GLOSS ANAHEIM P7-GREEN, "PPG-AMERSHIELD" "PANTONE 330C"
 - b. FINIAL SHALL BE AZTEC GOLD- INTESTATE 286-401 G.
7. FINISH FOR GRADE SEPARATION AND BRIDGES (GSB):
 - a. ALL ITEMS EXCEPT FINIAL SHALL BE BLACK-GRAY,SEMI-GLASS" PPG-AMERSHIELD RAL 7021.
 - b. FINIAL SHALL BE SILVER RAL # 9006.
8. THE PAINTING PROCEDURE OF HDG SURFACES SHOULD BE SUBMITTED TO ANAHEIM STANDARDS GROUP FOR REVIEW AND APPROVAL
9. LUMINAIRE SHALL BE PAINTED SAME AS POLE ORDERED, OR PAINTED BY THE CONTRACTOR TO MATCH POLE COLOR.
10. THE POLE AND MAST ARM MANUFACTURER IS SOUTHCOAST LIGHTING AND COBRA HEAD LUMINAIRE MANUFACTURER IS "GENERAL ELECTRIC". VENDORS TO ORDER THE UNIT ARE SOUTH COAST LIGHTING, ONE SOURCE, WESCO AND INDEPENDENT ELECTRIC.
11. THE HAND HOLES ON POLE SHOULD LINE UP WITH HAND HOLE ON BASE FOR EASY ACCESS TO CABLES.
12. DRILL AND TAP THE POLE FOR SIGNAGE.
13. TO ATTACH THE MASTARM TO POLE, TORQUE THE SETSCREW @ 21 FT-LBS.

| ITEM | QTY | DESCRIPTION | ANAHEIM PART NO. (ARA) | ANAHEIM PART NO. (GSB) | COMPATIBLE UNITS (ARA) | COMPATIBLE UNITS (GSB) | |
|------|-----|---|------------------------|------------------------|------------------------|------------------------|---|
| - | - | POLE WITH MAST ARM. SCROLL WORK, CAST BASE AND ANCHOR BOLTS- ANAHEIM TYPE SA- COMPLETE UNIT | - | - | SLDES745-P7 | - | |
| 1 | 1 | 26' POLE, 12 FLUTE WITH CAST RING AND TWO BANNER ARM MOUNTS | 476251 | - | - | - | |
| 2 | 2 | CAST BASE (2 PIECE) W/DOOR | 476255 | - | - | - | |
| 3 | 1 | 8' TWIN ARM W/ SCROLL & FINIAL | 464065 | - | - | - | |
| 4 | 2 | LUMINAIRE (NOTE 6,7) | 400W-120/208/240/277 | 474275 | - | L400HP120VP7* | - |
| | | | 250W-120/208/240/277 | 474245 | - | L200HP120VP7* | - |
| | | | 200W-120/208/240/277 | 474240 | - | L200HP7* | - |

* FOR LED EQUAL CONTACT T & D STANDARD GROUP.

FILENAME: L132 REV 4

| | | | |
|---|---|-----------|----------------------------|
| CITY OF ANAHEIM PUBLIC UTILITIES DEPARTMENT ELECTRICAL DIVISION T&D CONSTRUCTION STANDARDS | REVISION KEYS: ADDED / REVISED TEXT ADDED / REVISED MATERIAL | NEW SHEET | NEW SHEET |
| | CITY OF ANAHEIM STREET LIGHT DESIGN #745 ANAHEIM RESORT AREA | | REVISION NO. 4 |
| | | | ISSUE DATE: 01-17 |
| | | | SHEET 4 OF 4 |
| APPROVALS PREP BY: <i>MH</i> T&D MGR: <i>ES</i> SYS PLN MGR: <i>N/A</i> OPS MGR: <i>DA</i> SUB MAINT: <i>N/A</i> | CONSTRUCTION STANDARD: L 132 | | |