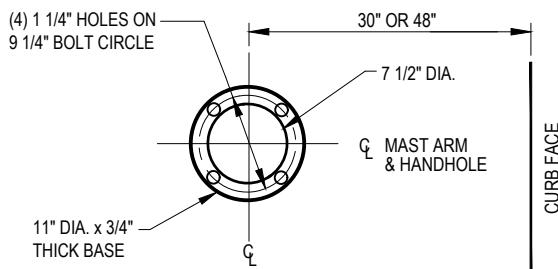
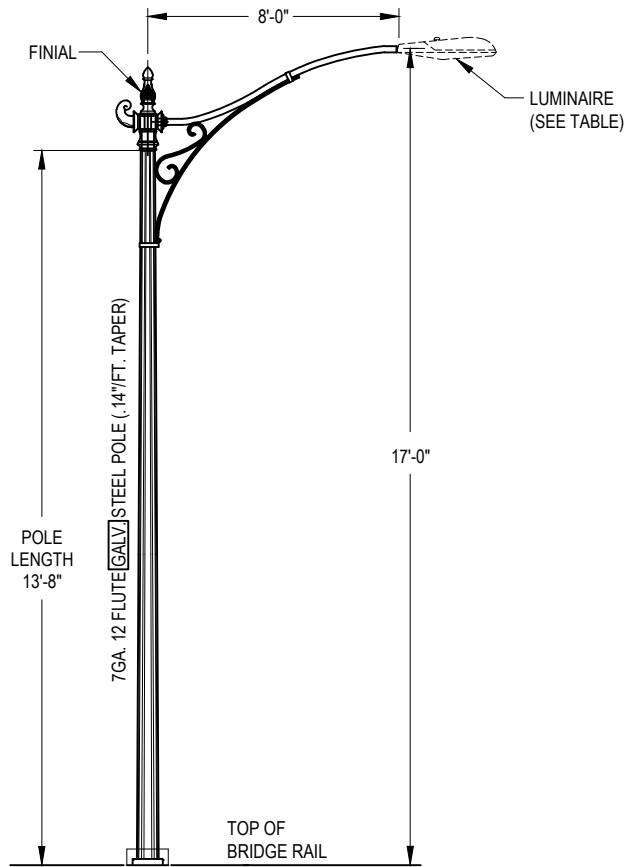
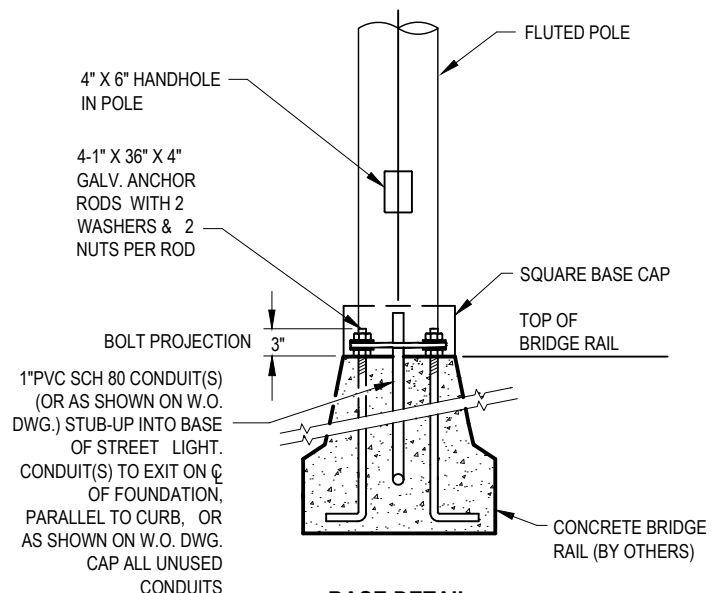


SCOPE: THIS STANDARD SHOWS CONSTRUCTION AND DETAILS OF CITY OF ANAHEIM STREET LIGHT SPECIAL DESIGN #747 FOR ANAHEIM RESORT AREA.



**BASE PLATE DETAIL**



**BASE DETAIL**

FILENAME: L134 REV3

<b>CITY OF ANAHEIM</b> PUBLIC UTILITIES DEPARTMENT ELECTRICAL DIVISION T&D CONSTRUCTION STANDARDS				
APPROVALS				
PREP BY	T&D MGR	SYS PLN MGR	OPS MGR	SUB MAINT
MH	EB	N/A	DA	N/A

REVISION KEYS: ADDED / REVISED TEXT ADDED / REVISED MATERIAL

**CITY OF ANAHEIM**  
**STREET LIGHT DESIGN #747**

NEW SHEET	NEW SHEET
REVISION NO. <b>3</b>	
ISSUE DATE: <b>01-17</b>	
SHEET <b>1</b> OF <b>2</b>	
CONSTRUCTION STANDARD: <b>L 134</b>	

NOTES:

1. STEEL TO BE HIGH TENSILE STRENGTH. CAST ALUMINUM TO BE 319 ALLOY OR AS SPECIFIED.
2. ALL FASTENERS TO BE STAINLESS STEEL.
3. WIRING SHALL BE #14 COPPER XHHW-2 MINIMUM WIRES-(BLACK-PHASE, WHITE-NEUTRAL, GREEN-GROUND).
4. COMPATIBLE UNIT FOR ITEM 1 OF BILL OF MATERIAL TABLE, INCLUDES, POLE, MAST ARM AND THE CAST BASES. COMPATIBLE UNIT FOR ITEM 4 OF MATERIAL TABLE INCLUDES LAMP AND PHOTO CONTROL.
5. POLE SHAFT AND ALL STEEL COMPONENTS SHALL BE HOT-DIP GALVANIZED (HDG) TO ASTM A123 PRIOR TO FINISHING PROCEDURE.
6. FINISH FOR ANAHEIM RESORT AREA (ARA):
  - a. ALL ITEMS EXCEPT FINIAL SHALL BE GREEN, SEMI-GLOSS ANAHEIM P7-GREEN, "PPG-AMERSHIELD" "PANTONE 330C"
  - b. FINIAL SHALL BE FROM MATTHEWS PAINT CO, AZTEC GOLD- INTESTATE 286-401 G.
7. FINISH FOR GRADE SEPARATION AND BRIDGES (GSB):
  - a. ALL ITEMS EXCEPT FINIAL SHALL BE BLACK-GRAY, SEMI-GLASS" PPG-AMERSHIELD RAL 7021.
  - b. FINIAL SHALL BE SILVER RAL # 9006.
8. THE PAINTING PROCEDURE OF HDG SURFACES SHOULD BE SUBMITTED TO ANAHEIM STANDARDS GROUP FOR REVIEW AND APPROVAL
9. LUMINAIRE SHALL BE PAINTED SAME AS POLE ORDERED, OR PAINTED BY THE CONTRACTOR TO MATCH POLE COLOR.
10. THE POLE AND MAST ARM MANUFACTURER IS SOUTHCOAST LIGHTING AND COBRA HEAD LUMINAIRE MANUFACTURER IS "GENERAL ELECTRIC". VENDORS TO ORDER THE UNIT ARE SOUTH COAST LIGHTING, ONE-SOURCE, WESCO AND INDEPENDENT ELECTRIC.
11. THE HAND HOLES ON POLE SHOULD LINE UP WITH HAND HOLE ON BASE FOR EASY ACCESS TO CABLES.
12. DRILL AND TAP THE POLE FOR SIGNAGE.
13. TO ATTACH THE MAST ARM TO POLE, TORQUE THE SETSCREWS @ 21 FT-LBS.

ITEM	QTY	DESCRIPTION	ANAHEIM PART NO. (ARA)	ANAHEIM PART NO. (GSB)	COMPATIBLE UNITS (ARA)	COMPATIBLE UNITS (GSB)
-	-	POLE WITH MAST ARM. SCROLL WORK, SQUARE BASE CAP AND ANCHOR BOLTS- ANAHEIM TYPE SA2-BRIDGE MOUNT	-	-	SLDES746-P7	-
1	1	13'-8" POLE, STEEL, 12 FLUTE	476290	-	-	-
2	2	SQUARE BASE CAP (SA2-SA3)	476305	-	-	-
3	1	8' ARM W/ SCROLL & FINIAL	464050	-	-	-
4	1	LUMINAIRE	400W-120/208/240/277	474275	-	L400HP120VP7*
		(PAINT COLOR: NOTE 9)	250W-120/208/240/277	474245	-	L200HP120VP7*
			200W-120/208/240/277	474240	-	L200HP7*

\* FOR LED EQUAL CONTACT T & D STANDARD GROUP.

FILENAME: L134 REV3

<b>CITY OF ANAHEIM</b> PUBLIC UTILITIES DEPARTMENT ELECTRICAL DIVISION T&D CONSTRUCTION STANDARDS		REVISION KEYS:  ADDED / REVISED TEXT  ADDED / REVISED MATERIAL	NEW SHEET REVISION NO. <b>3</b> ISSUE DATE : <b>01-17</b> SHEET <b>2</b> OF <b>2</b> CONSTRUCTION STANDARD: <b>L 134</b>										
APPROVALS <table border="1"> <tr> <th>PREP BY</th> <th>T&amp;D MGR</th> <th>SYS PLN MGR</th> <th>OPS MGR</th> <th>SUB MAINT</th> </tr> <tr> <td>MH</td> <td>EB</td> <td>N/A</td> <td>DA</td> <td>N/A</td> </tr> </table>		PREP BY	T&D MGR	SYS PLN MGR	OPS MGR	SUB MAINT	MH	EB	N/A	DA	N/A	<b>CITY OF ANAHEIM</b> <b>STREET LIGHT DESIGN #747</b>	
PREP BY	T&D MGR	SYS PLN MGR	OPS MGR	SUB MAINT									
MH	EB	N/A	DA	N/A									