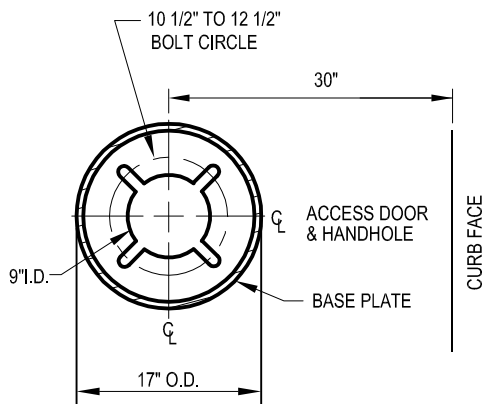
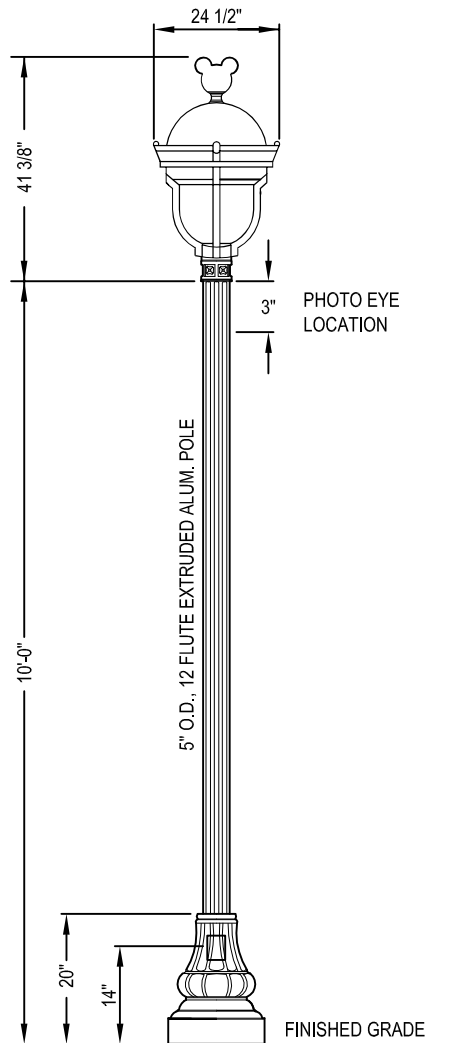
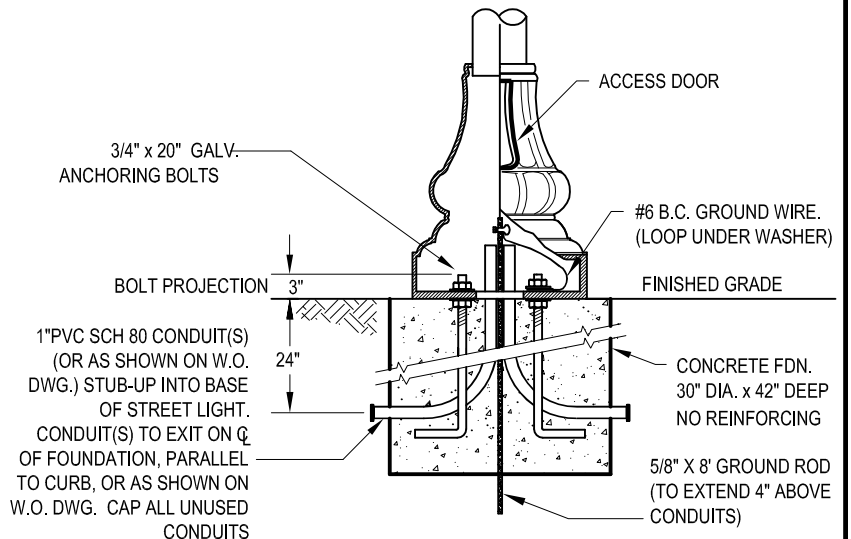


**SCOPE: THIS STANDARD SHOWS CONSTRUCTION AND DETAILS OF CITY OF ANAHEIM STREET LIGHT SPECIAL DESIGN #748 FOR ANAHEIM RECREATIONAL AREA.**



**BASE PLATE DETAIL**



**BASE DETAIL**

FILENAME: L138 REV2

**CITY OF ANAHEIM**  
PUBLIC UTILITIES DEPARTMENT  
ELECTRICAL DIVISION  
T&D CONSTRUCTION STANDARDS

REVISION KEYS:

ADDED / REVISED TEXT

ADDED / REVISED MATERIAL

NEW SHEET

**CITY OF ANAHEIM**  
**STREET LIGHT SPECIAL DESIGN #748**  
**ANAHEIM RECREATIONAL AREA**

REVISION NO. **2**  
ISSUE DATE: **01-08**  
SHEET **1** OF **2**  
CONSTRUCTION STANDARD:

**L 138**

APPROVALS




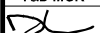
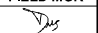
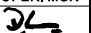
T&D MGR	FIELD MGR	OPER. MGR

NOTES:

1. REPLACEMENT FOR EXISTING UNITS TO BE INSTALLED AT WEST STREET AND HARBOR BLVD., DISNEYLAND AREA ONLY.
2. FINISH:
  - A. ALL ITEMS SHALL BE GREEN-SEMI GLOSS, TENMAC # **F075G1041A** (ANAHEIM P7 GREEN)
  - B. FINIAL SHALL BE AZTEC GOLD- INTESTATE **286-401G**.
  - C. LUMINAIRE SHALL BE PAINTED SAME AS POLE, ORDERED OR PAINTED ANAHEIM P7 BY THE CONTRACTOR.
3. WIRING SHALL BE #14 COPPER XHHW-2 MINIMUM WIRES- (BLACK-PHASE, WHITE-NEUTRAL, GREEN-GROUND).
4. COMPATIBLE UNIT FOR ITEM 1 OF BILL OF MATERIALS TABLE INCLUDES, POLE, LUMINAIRE, BALLAST KIT AND LAMP.
5. THE POLE MANUFACTURER IS **LUMAC INC.**, AND VENDORS TO ORDER THE UNIT ARE SOUTHCOAST LIGHTING, WESCO LIGHTING AND PACIFIC LIGHT CORPORATION.

ITEM	QTY	DESCRIPTION	ANAHEIM PART NO.	COMPATIBLE UNIT
1	-	POLE WITH CAST BASE, LUMINAIRE AND ANCHOR BOLTS- ANAHEIM TYPE <b>SC</b>	-	SLDES748MIC-P7
2	1	10' POLE WITH BASE, CAST ALUMINUM, "MICTORIAN"	476300	-
4	1	LUMINAIRE 150 WATTS MULTI VOLTAGE, "MICTORIAN"	474255	L400HP120VP7
5	1	BALLAST KIT, "MICTORIAN"	466085	L200HP120VP7
		LAMP, 150 WATTS, 120 VOLTS	470145	L400HP7

FILENAME: L138 REV2

<b>CITY OF ANAHEIM</b> PUBLIC UTILITIES DEPARTMENT ELECTRICAL DIVISION T&D CONSTRUCTION STANDARDS	REVISION KEYS:  ADDED / REVISED TEXT  ADDED / REVISED MATERIAL  NEW SHEET
	REVISION NO. <b>2</b> ISSUE DATE : <b>01-08</b> SHEET <b>2</b> OF <b>2</b> CONSTRUCTION STANDARD: <b>L 138</b>
APPROVALS T&D MGR  FIELD MGR  OPER. MGR 	CITY OF ANAHEIM <b>STREET LIGHT SPECIAL DESIGN #748</b> <b>ANAHEIM RECREATIONAL AREA</b>