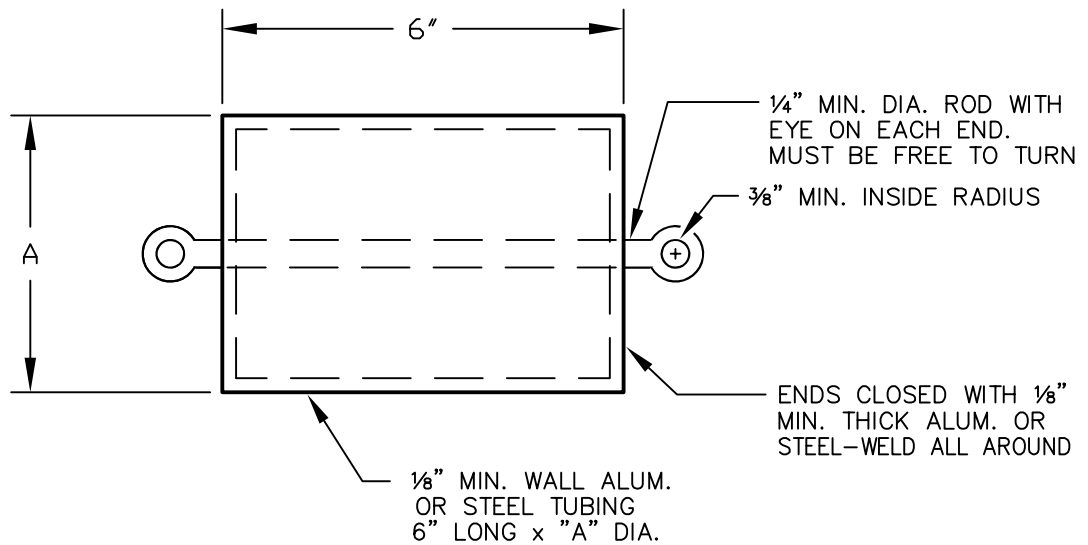
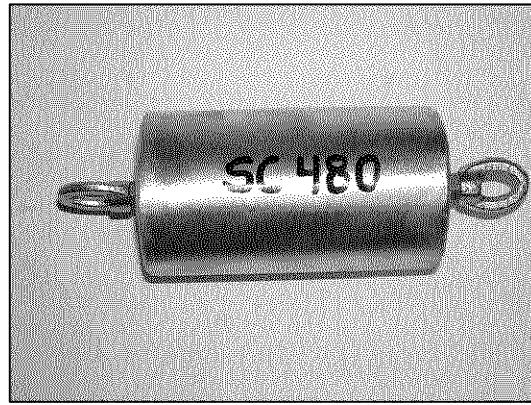


SCOPE: THIS STANDARD SHOWS CONDUIT MANDRELS TYPE I AND TYPE III.



NOMINAL CONDUIT SIZE	DIAMETER 'A'	
	TYPE I <sup>1</sup>	TYPE III <sup>2</sup>
2"	1 3/4"	1.500"
3"	2 3/4"	2.375"
4"	3 3/4"	3.400"
5"	4 3/4"	4.400"
6"	5 3/4"	5.263"

AVAILABLE FROM:

INWESCO, INC.  
746 N. CONEY AVE.  
AZUSA, CA 91702

ARMORCAST PRODUCTS COMPANY  
13030 RAYMER ST.  
NO. HOLLYWOOD, CA 91605  
(818) 982-3600

<sup>1</sup> TYPE I MANDRELS ARE USED IN SCHEDULE 40 PLASTIC CONDUITS.

<sup>2</sup> TYPE III MANDRELS ARE ONLY TO BE USED IN SCH. 80 PLASTIC CONDUITS.

RENUMBERED FROM CU 1600-95K, DTD. 12-88

FILENAME: CU1600-96K REV2

<b>CITY OF ANAHEIM</b> PUBLIC UTILITIES DEPARTMENT ELECTRICAL DIVISION T&D CONSTRUCTION STANDARDS	REVISION KEYS:  ADDED / REVISED TEXT  ADDED / REVISED MATERIAL	NEW SHEET
	<b>CONDUIT MANDRELS TYPE I AND TYPE III</b>	
APPROVALS T&D MGR  FIELD MGR  OPER. MGR		REVISION NO. <b>2</b> ISSUE DATE: <b>01-08</b> SHEET <b>1</b> OF <b>1</b> CONSTRUCTION STANDARD: <b>CU 1600-96K</b>