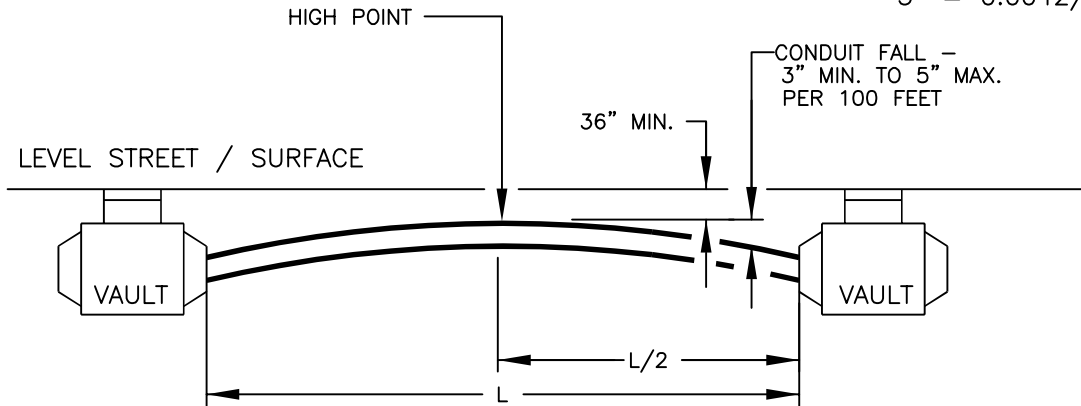


SCOPE: THIS STANDARD SHOWS CONDUIT RUN SLOPING REQUIREMENTS.

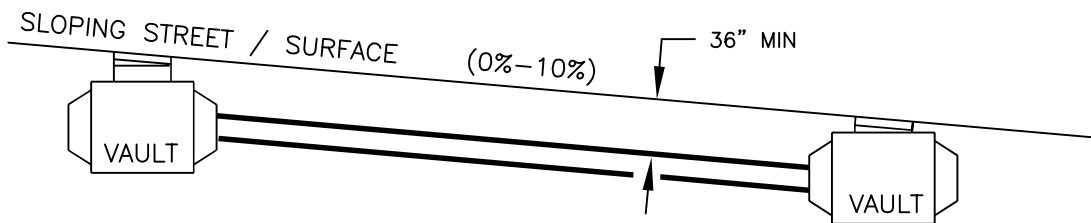
NOTE:

CONDUIT FALL VALUES

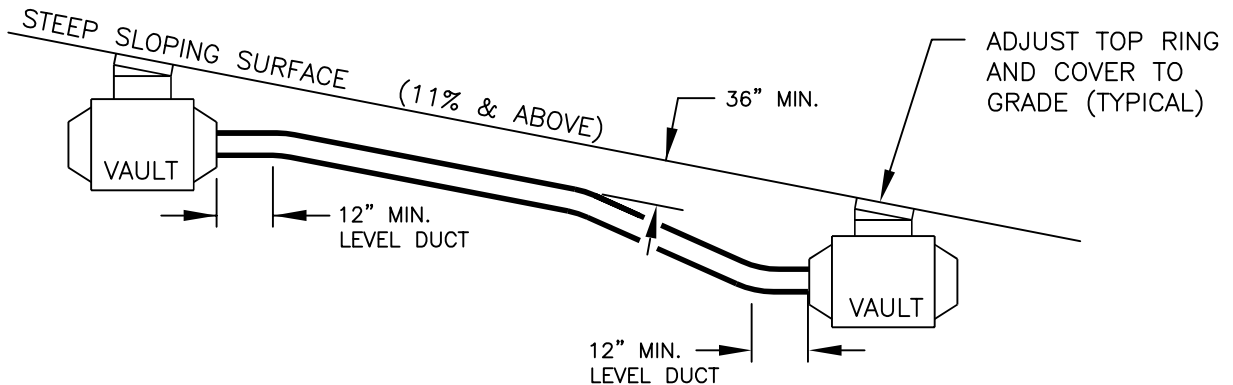
3" = 0.0025/FT OF RUN
5" = 0.0042/FT OF RUN



DOUBLE-SLOPE DUCT RUN ON LEVEL PLANE



SINGLE-SLOPE DUCT RUN ON SLOPING PLANE



SINGLE-SLOPE DUCT RUN ON STEEP SLOPING PLANE

NOTE:

A. FOR TRENCH BACKFILL, COMPACTION AND CONDUIT ARRANGEMENTS, SEE CU 1600-4.

FILENAME: CU1600-96A REV3

CITY OF ANAHEIM PUBLIC UTILITIES DEPARTMENT ELECTRICAL DIVISION T&D CONSTRUCTION STANDARDS	REVISION KEYS: ADDED / REVISED TEXT ADDED / REVISED MATERIAL	NEW SHEET
	CONDUIT RUN SLOPING REQUIREMENTS	
APPROVALS T&D MGR FIELD MGR OPER. MGR	REVISION NO. 3 ISSUE DATE: 01-08 SHEET 1 OF 1 CONSTRUCTION STANDARD: CU 1600-96A	