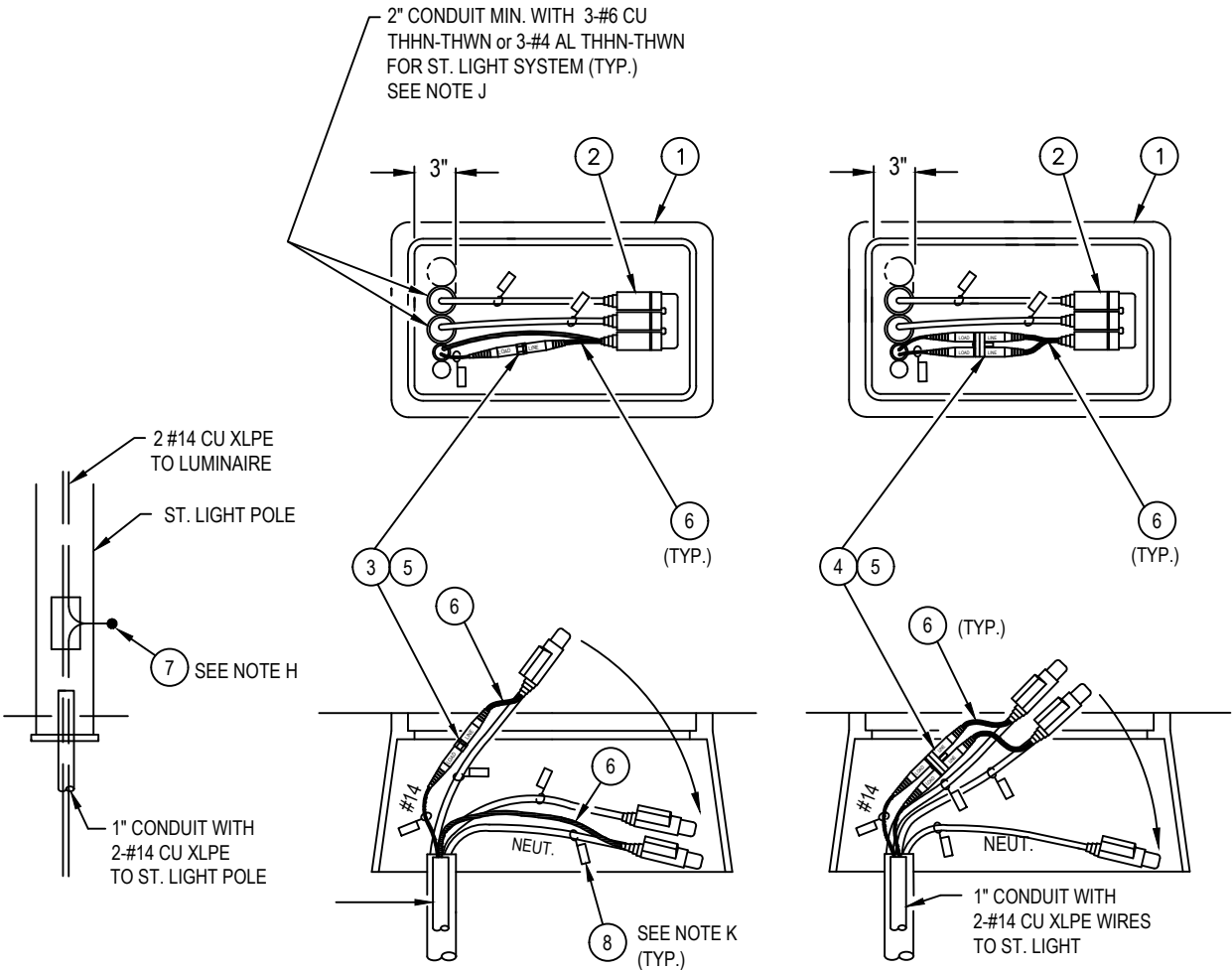
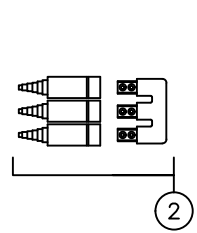


SCOPE: THIS STANDARD SHOWS DETAILS FOR REQUIRED INSTALLATION OF CONNECTIONS AND FUSE HOLDERS WITHIN PULL BOX FOR 120/240 VOLT UNDERGROUND STREET LIGHT SYSTEMS

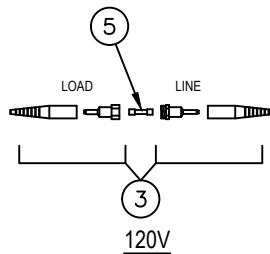


120V CONNECTION

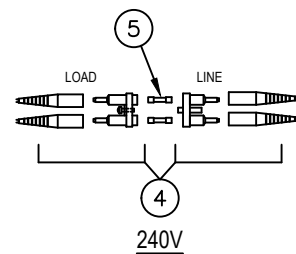
240V CONNECTION



INSULATED BUSS TYPE CONNECTOR



FUSE HOLDERS AND BOOTS



FILENAME: L 104 REV 2

DELETED TYCO GEL PORT SINGLE SCREW

CITY OF ANAHEIM				
PUBLIC UTILITIES DEPARTMENT				
ELECTRICAL DIVISION				
T&D CONSTRUCTION STANDARDS				
APPROVALS				
PREP BY	T&D MGR	SYS PLN MGR	OPS MGR	SUB MAINT
MH	EB	N/A	DA	N/A

REVISION KEYS:	ADDED / REVISED TEXT	ADDED / REVISED MATERIAL
CONNECTION DETAILS		
UNDERGROUND STREET LIGHT SYSTEMS		

NEW SHEET	NEW SHEET
REVISION NO. 2	
ISSUE DATE: 01-17	
SHEET 1 OF 2	
CONSTRUCTION STANDARD:	
L 104	

MATERIAL LIST

ITEM	QTY.	DESCRIPTION	ANAHEIM PART NO.	COMPATIBLE UNIT
1	1	PULL BOX, 13" x 24" CONCRETE W/COVER	SEE L 103B	-
2	3	CONN., URD, 3 POSITION	504050	CNUH3(350)
		CONN., URD, 4 POSITION	504055	CNUH4(350)
3	1	FUSE HOLDER, SINGLE, 120V W/2 BOOTS	556535	FUSHOLDS/L-120
4	1	FUSE HOLDER, DOUBLE, 240V W/4 BOOTS	556540	FUSHOLDS/L-240
5	AS REQ'D	FUSE, 10A, 13/32" x 1.5" NON-DELAY, FERRULE	556215	FUSDE10A
		FUSE, 15A, 13/32" x 1.5" NON-DELAY, FERRULE	556220	FUSDE15A
		FUSE, 20A, 13/32" x 1.5" NON-DELAY, FERRULE	556690	-
6	AS REQ'D	WIRE # 6 CU THHN-THWN	446175	WS6CU-1C
7	1	CONN. SPLIT BOLT, # 6 - # 14 BURNDY KS17	552015	CNSB6-8AP
8	AS REQ'D	TAGS PER CO 170	-	-

SEE NOTE C
 SEE NOTE C
 SEE NOTE D
 SEE NOTE D
 E
 E
 E
 SEE NOTE J
 E SEE NOTE H
 E SEE NOTE K

FUSE CHART

LUMINAIRE		FUSE SIZE, AMPS	
LUMENS	WATTS	120V	240V
5,800	70	10	10
9,500	100	10	10
-	150	10	10
22,000	200	15	10
30,000	250	20	15

NOTES:

- A. INSTALL PULL BOX FLUSH WITH FINISHED HARD SURFACE OR 1" MIN. ABOVE FINISH GRADE.
- B. LOCATE ALL CONDUITS WITHIN 3" OF ONE END OF PULL BOX, AS SHOWN.
- C. ALL CONNECTORS SHALL BE HOMAC TYPE UH, ONE WAY, "FLOOD SEAL", TWIN SCREW SUBMERSIBLE CONNECTOR.
- D. ALL FUSE HOLDERS SHALL BE COOPER BUSSMAN "TRON", RATED 30A AT 600V, WATERTIGHT, IN-LINE, SINGLE TYPE HEB-AB FOR 120V, OR DOUBLE TYPE HEX-AB FOR 240V, FOR 13/32" x 1.5" FUSE, OR APPROVED EQUAL. INCLUDE INSULATING BOOTS.
- E. EXEMPT MATERIAL
- F. ALL FUSES SHALL BE 13/32" DIAMETER x 1.5" LONG, NON-GLASS, NON-TIME DELAY, FERRULE TYPE. SEE CHART ABOVE FOR APPLICATIONS.
- G. ALLOW SUFFICIENT WIRE TO MAKE-UP ALL CONNECTIONS. THEN NEATLY LAY OVER WIRE AND CONNECTIONS WITHIN PULL BOX IN A STACKED ARRANGEMENT.
- H. CONNECTIONS MADE IN THE HANDHOLE SHOULD BE WATERPROOF.
- J. PHASE WIRE INSULATION COLOR SHALL BE BLACK OR RED. NEUTRAL WIRE INSULATION COLOR SHALL BE WHITE OR IDENTIFIED WITH WHITE TAPE.
- K. LABEL IDENTIFICATION TAGS AS "TO P.B. # __", "TO S/L# __", ETC. TAGS ARE U.G PRODUCTS CO. #3000W (1" WIDE x 2 1/2" LONG WHITE PLASTIC) SECURED WITH 6" BLACK CABLE TIE.

DELETED TYCO GEL PORT SINGLE SCREW

FILENAME: L 104 REV 2

CITY OF ANAHEIM PUBLIC UTILITIES DEPARTMENT ELECTRICAL DIVISION T&D CONSTRUCTION STANDARDS	REVISION KEYS:	ADDED / REVISED TEXT	ADDED / REVISED MATERIAL	NEW SHEET	NEW SHEET	
	CONNECTION DETAILS UNDERGROUND STREET LIGHT SYSTEMS				REVISION NO. 2	
					ISSUE DATE: 01-17	
					SHEET 2 OF 2	
APPROVALS PREP BY: <i>MH</i> T&D MGR: <i>EB</i> SYS PLN MGR: <i>N/A</i> OPS MGR: <i>DA</i> SUB MAINT: <i>N/A</i>				CONSTRUCTION STANDARD: L 104		