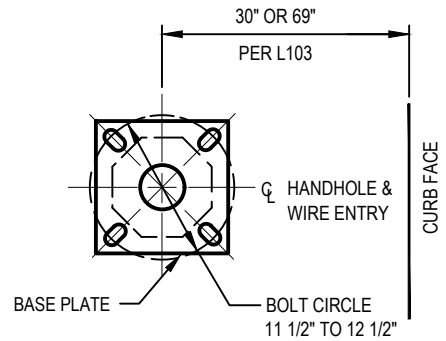
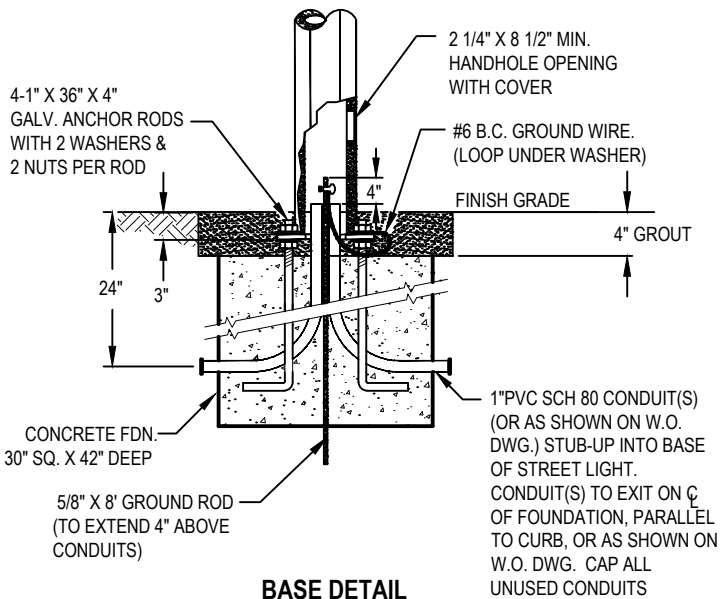
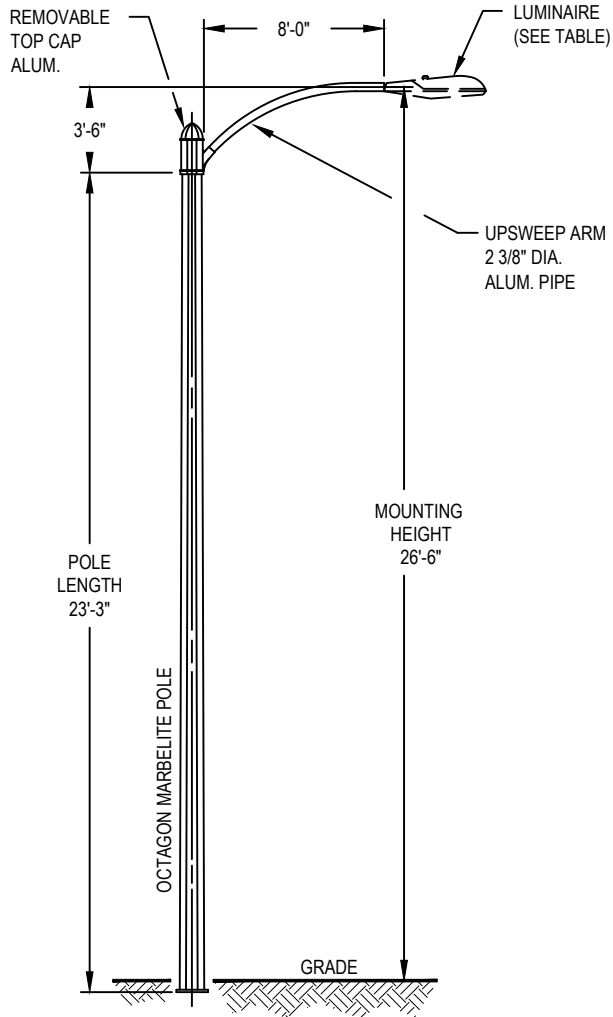


**SCOPE: THIS STANDARD SHOWS CITY OF ANAHEIM STREET LIGHT DESIGN #733 - SINGLE ARM CONSTRUCTION AND DETAILS.**



**BASE DETAIL**

FILENAME: L116 REV 7

**CITY OF ANAHEIM**  
PUBLIC UTILITIES DEPARTMENT  
ELECTRICAL DIVISION  
T&D CONSTRUCTION STANDARDS

REVISION KEYS:



ADDED / REVISED TEXT



ADDED / REVISED MATERIAL

NEW SHEET

NEW SHEET

**CITY OF ANAHEIM**  
**STREET LIGHT**

**DESIGN #733 - SINGLE ARM**

REVISION NO. **7**

ISSUE DATE: **01-17**

SHEET **1** OF **2**

CONSTRUCTION STANDARD:

**L 116**

APPROVALS

PREP BY	T&D MGR	SYS PLN MGR	OPS MGR	SUB MAINT
MH	EB	N/A	DA	N/A

**NOTES:**

1. POLE CONCRETE SHALL BE 6000 PSI COMPRESSION MINIMUM IN 28 DAYS, MANUFACTURED TO ASTM C 1089-88.
2. THE POLE SHALL BE BLACK AND WHITE AND ENTIRELY COATED WITH AMERISHIELD ANTI-GRAFFITTI SEALER.
3. BASE PLATE ASTM A-36 FULLY PRESTRESSED WITH (8) 5/16" DIAMETER, A-416 WIRES MINIMUM.
4. FOR COMPLETE POLE UNIT WITHOUT THE LUMINAIRE, POLE ARMS, ORDER "AMERON" PART NUMBER **1C1-23CF-8D**.
5. FOR 8' ARM WITH THE TOP CAP ORDER "AMERON" PART NUMBER **CF-8**.
6. FOR COMPLETE LUMINAIRE UNIT WITH SET SCREW TO BE ATTACHED TO THE ARM, ORDER STOCK CODES LISTED BELOW.
7. WIRING SHALL BE # 14 COPPER MINIMUM WIRES WITH XHHW-2 INSULATION (BLACK-PHASE, WHITE-NEUTRAL, GREEN-GROUND).
8. COMPATIBLE UNIT FOR ITEM 1 OF BILL OF MATERIAL TABLE, INCLUDES, POLE, ANCHOR BOLTS AND ARM.
9. THE SUGGESTED POLE MANUFACTURERS S"AMERON"; VENDORS TO ORDER THE UNIT ARE WESCO LIGHTING, PACIFIC LIGHT CORPORATION, AND ONE SOURCE.

ITEM	QTY	DESCRIPTION	ANAHEIM PART NO.	COMPATIBLE UNIT
1	-	POLE WITH ARMS, ANCHOR BOLTS AND ARM	-	SLDES733
2	1	POLE, WITH ANCHOR BOLTS	476015	-
3	1	ARM WITH TOP CAP	464030	-
4	1	LUMINAIRE (LED)(EQUIVALENT TO 100W HPS)	474085	L100LED 120/240 C
5	1	LUMINAIRE (LED)(EQUIVALENT TO 200W HPS)	478090	L200LED 120/240 C

FILENAME: L116 REV 7

<b>CITY OF ANAHEIM</b> PUBLIC UTILITIES DEPARTMENT ELECTRICAL DIVISION T&D CONSTRUCTION STANDARDS					REVISION KEYS:			ADDED / REVISED TEXT		ADDED / REVISED MATERIAL	NEW SHEET	NEW SHEET
					<b>CITY OF ANAHEIM</b> <b>STREET LIGHT</b> <b>DESIGN #733 - SINGLE ARM</b>							
APPROVALS												
PREP BY	T&D MGR	SYS PLN MGR	OPS MGR	SUB MAINT								
<i>MH</i>	<i>EB</i>	N/A	<i>DA</i>	N/A								