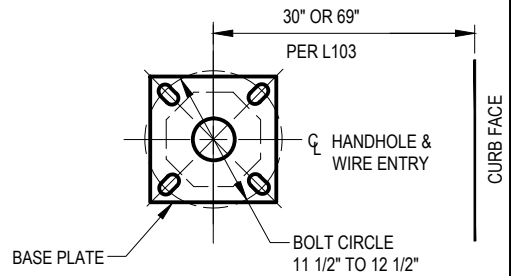
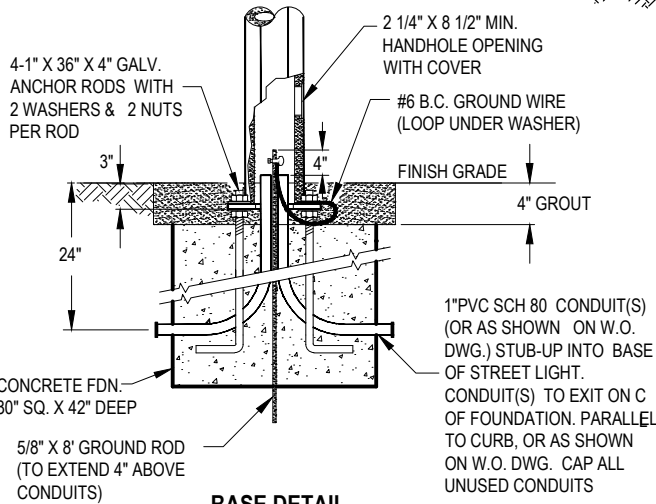
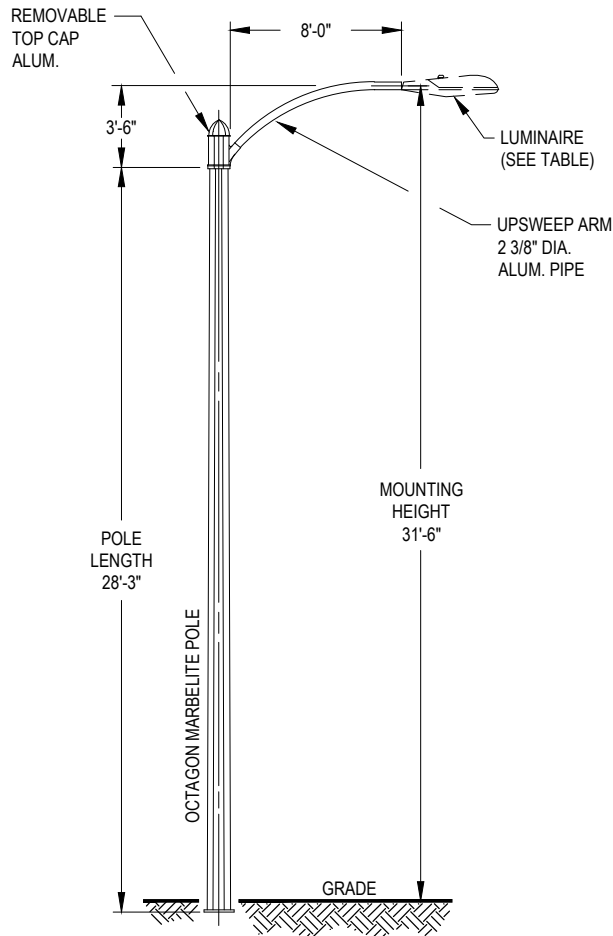


**SCOPE: THIS STANDARD SHOWS CITY OF ANAHEIM STREET LIGHT DESIGN #736 - SINGLE AND DOUBLE ARM CONSTRUCTION AND DETAILS.**



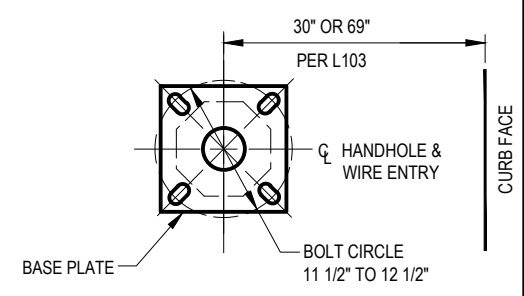
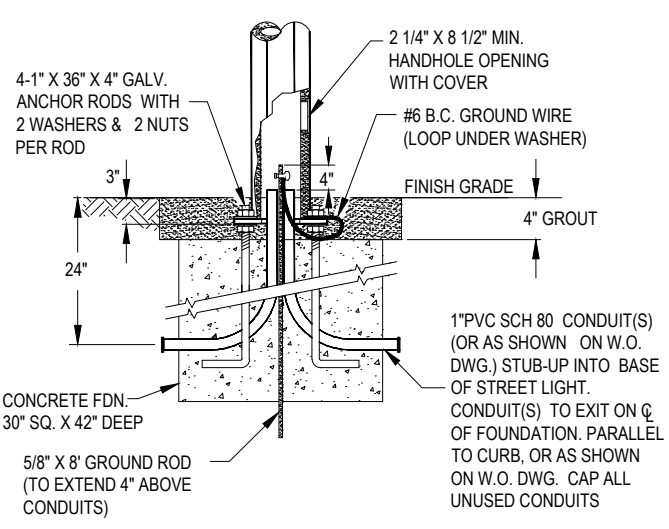
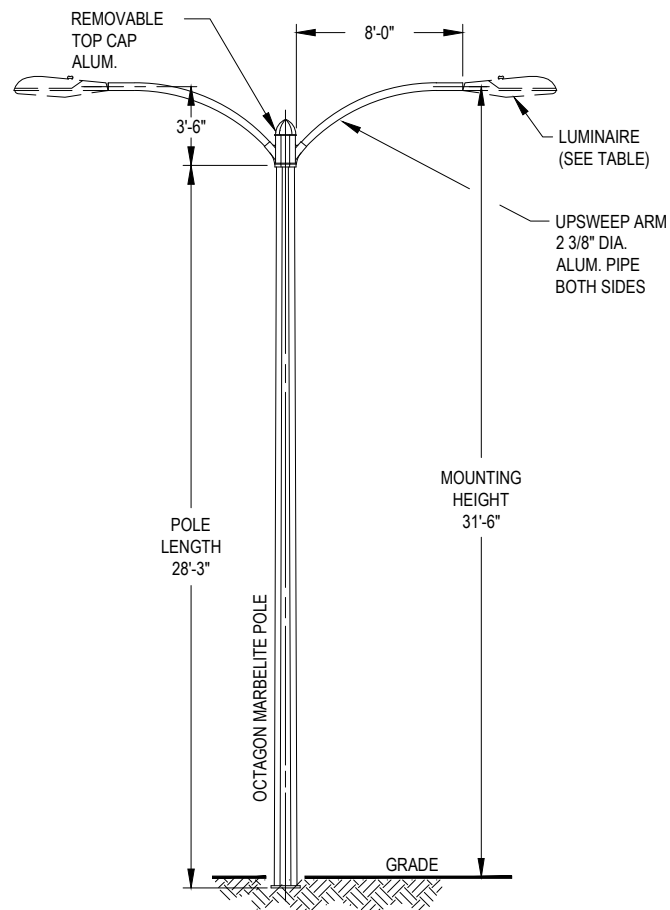
**BASE DETAIL**

**SINGLE ARM**

UPDATED TABLE

FILENAME: L119 REV 9

<b>CITY OF ANAHEIM</b> PUBLIC UTILITIES DEPARTMENT ELECTRICAL DIVISION T&D CONSTRUCTION STANDARDS		REVISION KEYS:	ADDED / REVISED TEXT	ADDED / REVISED MATERIAL	NEW SHEET	NEW SHEET										
		<b>CITY OF ANAHEIM</b> <b>STREET LIGHT</b> <b>DESIGN #736 - SINGLE AND DOUBLE ARM</b>				REVISION NO. <b>9</b>	ISSUE DATE: <b>01-16</b>									
SHEET <b>1</b> OF <b>3</b>	CONSTRUCTION STANDARD:															
<b>L 119</b>																
APPROVALS <table border="1"> <tr> <td>PREP BY</td> <td>T&amp;D MGR</td> <td>SYS PLN MGR</td> <td>OPS MGR</td> <td>SUB MAINT</td> </tr> <tr> <td>MH</td> <td>EB</td> <td>--</td> <td>DA</td> <td>--</td> </tr> </table>		PREP BY	T&D MGR	SYS PLN MGR	OPS MGR	SUB MAINT	MH	EB	--	DA	--					
PREP BY	T&D MGR	SYS PLN MGR	OPS MGR	SUB MAINT												
MH	EB	--	DA	--												



**BASE DETAIL**

**DOUBLE ARM**

UPDATED TABLE

FILENAME: L119 REV 9

<b>CITY OF ANAHEIM</b> PUBLIC UTILITIES DEPARTMENT ELECTRICAL DIVISION T&D CONSTRUCTION STANDARDS				
APPROVALS				
PREP BY	T&D MGR	SYS PLN MGR	OPS MGR	SUB MAINT
MH	EB	--	DA	--

REVISION KEYS:	ADDED / REVISED TEXT	ADDED / REVISED MATERIAL
<b>CITY OF ANAHEIM</b> <b>STREET LIGHT</b> <b>DESIGN #736 - SINGLE AND DOUBLE ARM</b>		

NEW SHEET	NEW SHEET
REVISION NO. <b>9</b>	ISSUE DATE: <b>01-16</b>
SHEET <b>2</b> OF <b>3</b>	
CONSTRUCTION STANDARD: <b>L 119</b>	

**NOTES:**

1. POLE CONCRETE SHALL BE 6000 PSI COMPRESSION MINIMUM IN 28 DAYS, MANUFACTURED TO ASTM C 1089-88.
2. THE POLE SHALL BE BLACK AND WHITE AND ENTIRELY COATED WITH AMERISHIELD GRAFFITTI SEALER.
3. BASE PLATE ASTM A-36 FULLY PRESTRESSED WITH (8) 5/16" DIAMETER, A-416 WIRES MINIMUM.
4. FOR COMPLETE POLE UNIT WITHOUT THE LUMINAIRE AND ARMS, ORDER "AMERON" PART NUMBER 1C1-28MIX37. VENDORS TO ORDER THE UNIT ARE HD-SUPPLY, WESCO LIGHTING, PACIFIC LIGHT CORPORATION, AND ONE SOURCE.
5. FOR COMPLETE LUMINAIRE UNIT WITH SET SCREWS TO ATTACH TO THE ARM , ORDER STOCK CODES LISTED **BELOW**.
6. WIRING SHALL BE #14 COPPER WIRES WITH XHHW-2 INSULATION (BLACK-PHASE, WHITE-NEUTRAL, GREEN-GROUND).

ITEM	QTY	DESCRIPTION	IDENTIFICATION OR CAT. NO.	ANAHEIM STOCK CODE	COMPATIBLE UNITS	
1	1	POLE AND ANCHOR BOLTS		476030	SLDES 736	
	1	SINGLE ARM WITH TOP CAP.		464006		
2	1	POLE AND ANCHOR BOLTS		476030	SLDES 736-DBL	
	1	DOUBLE ARM WITH TOP CAP.		464005		
→ 3	1	LUMINAIRE (HPS 100W EQUIV.)	LED	SEE STOCK CODE	474085	L100LED120/240C
→ 4	1	LUMINAIRE (HPS 200W EQUIV.)		SEE STOCK CODE	474090	L200LED120/240C

FILENAME: L119 REV 9

UPDATED TABLE

<b>CITY OF ANAHEIM</b> PUBLIC UTILITIES DEPARTMENT ELECTRICAL DIVISION T&D CONSTRUCTION STANDARDS		REVISION KEYS:	 ADDED / REVISED TEXT	 ADDED / REVISED MATERIAL	NEW SHEET	NEW SHEET										
		<b>CITY OF ANAHEIM</b> <b>STREET LIGHT</b> <b>DESIGN #736 - SINGLE AND DOUBLE ARM</b>				REVISION NO. <b>9</b>	ISSUE DATE: <b>01-16</b>									
APPROVALS <table border="1"> <tr> <td>PREP BY</td> <td>T&amp;D MGR</td> <td>SYS PLN MGR</td> <td>OPS MGR</td> <td>SUB MAINT</td> </tr> <tr> <td>MH</td> <td>EB</td> <td>--</td> <td>DA</td> <td>--</td> </tr> </table>				PREP BY	T&D MGR	SYS PLN MGR	OPS MGR	SUB MAINT	MH	EB	--	DA	--	SHEET <b>3</b> OF <b>3</b>		CONSTRUCTION STANDARD:
PREP BY	T&D MGR	SYS PLN MGR	OPS MGR	SUB MAINT												
MH	EB	--	DA	--												
				<b>L 119</b>												