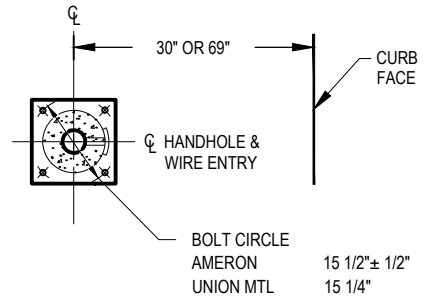
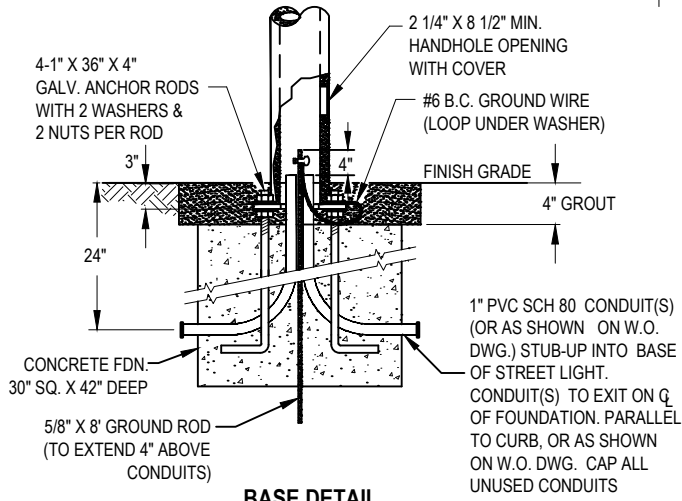
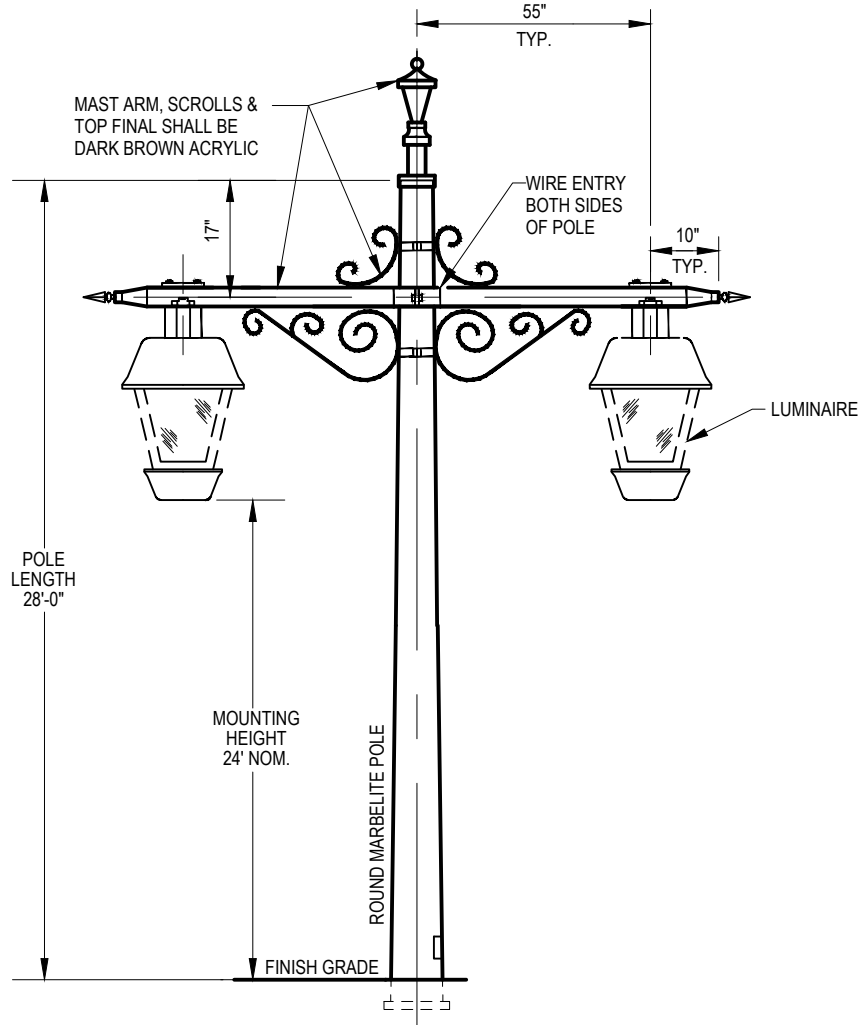


**SCOPE: THIS STANDARD SHOWS CITY OF ANAHEIM STREET LIGHT DESIGN #739- DOUBLE ARM CONSTRUCTION AND DETAILS.**



**BASE DETAIL**

FILENAME: L122 REV7

**CITY OF ANAHEIM**  
PUBLIC UTILITIES DEPARTMENT  
ELECTRICAL DIVISION  
T&D CONSTRUCTION STANDARDS

REVISION KEYS:

ADDED / REVISED TEXT

ADDED / REVISED MATERIAL

NEW SHEET

NEW SHEET

**CITY OF ANAHEIM**  
**STREET LIGHT DESIGN #739**  
**ANAHEIM HILLS AREA**

REVISION NO. 7

ISSUE DATE: 01-15

SHEET 1 OF 2

CONSTRUCTION STANDARD:

**L 122**

APPROVALS				
PREP BY	T&D MGR	SYS PLN MGR	OPS MGR	SUB MAINT
MH	EB	N/A	CM	N/A

**NOTES:**

1. POLE CONCRETE SHALL BE 6000 PSI COMPRESSION MINIMUM IN 28 DAYS, MANUFACTURED TO ASTM C 1089-88.
2. BASE PLATE ASTM A-36 FULLY PRESTRESSED WITH (8) 5/16" DIAMETER, A-416 WIRES MINIMUM.
3. COMPATIBLE UNIT FOR ITEM 1 OF BILL OF MATERIAL TABLE, INCLUDES, POLE, AND MAST ARM.
4. FOR COMPLETE POLE ORDER "AMERON" PART NUMBER **1C3-28P** WITH LONE PINE YELLOW MIX #21 FINISH OR "UNION METAL" **160-COA-280-C-QB** WITH SIERRA GOLD FINISH. ENTIRE POLE SHALL BE COATED WITH AMERISHIELD ANTI-GRAFFITI SEALER.
5. FOR MAST ARM ORDER "COUNTY METAL" **CMS 600-6L** OR "SIERRA LIGHTING" STREET LIGHT SPEC 6 .
6. WIRING SHALL BE # 14 COPPER WIRES WITH XHHW-2 INSULATION (BLACK-PHASE, WHITE-NEUTRAL, GREEN-GROUND).
7. THE POLE SUGGESTED MANUFACTURERS ARE "AMERON" AND "UNION METAL", AND VENDORS TO ORDER THE UNIT ARE SOUTHCOAST LIGHTING, WESCO LIGHTING, PACIFIC LIGHT CORPORATION, AND ONE SOURCE.

ITEM	QTY	DESCRIPTION	ANAHEIM PART NO.	COMPATIBLE UNIT
1	-	POLE, WITH ANCHOR BOLTS AND ARM	476035	SLDES739
2	1	MAST ARM- DOUBLE	464015	-
3	2	LUMINAIRE	SEE CONSTRUCTION STANDARD L123	

FILENAME: L122 REV7

<b>CITY OF ANAHEIM</b> PUBLIC UTILITIES DEPARTMENT ELECTRICAL DIVISION T&D CONSTRUCTION STANDARDS		REVISION KEYS:	ADDED / REVISED TEXT	ADDED / REVISED MATERIAL	NEW SHEET	NEW SHEET										
		<b>CITY OF ANAHEIM</b> <b>STREET LIGHT DESIGN #739</b> <b>ANAHEIM HILLS AREA</b>				REVISION NO.	<b>7</b>									
APPROVALS <table border="1" style="width: 100%; border-collapse: collapse;"> <tr> <td style="font-size: x-small;">PREP BY</td> <td style="font-size: x-small;">T&amp;D MGR</td> <td style="font-size: x-small;">SYS PLN MGR</td> <td style="font-size: x-small;">OPS MGR</td> <td style="font-size: x-small;">SUB MAINT</td> </tr> <tr> <td style="font-size: x-small;"><i>MH</i></td> <td style="font-size: x-small;"><i>EB</i></td> <td style="font-size: x-small;">N/A</td> <td style="font-size: x-small;"><i>CM</i></td> <td style="font-size: x-small;">N/A</td> </tr> </table>		PREP BY	T&D MGR	SYS PLN MGR	OPS MGR	SUB MAINT	<i>MH</i>	<i>EB</i>	N/A	<i>CM</i>	N/A			ISSUE DATE :	<b>01-15</b>	
		PREP BY	T&D MGR	SYS PLN MGR	OPS MGR	SUB MAINT										
<i>MH</i>	<i>EB</i>	N/A	<i>CM</i>	N/A												
				SHEET	<b>2</b>	OF	<b>2</b>									
				CONSTRUCTION STANDARD:			<b>L 122</b>									