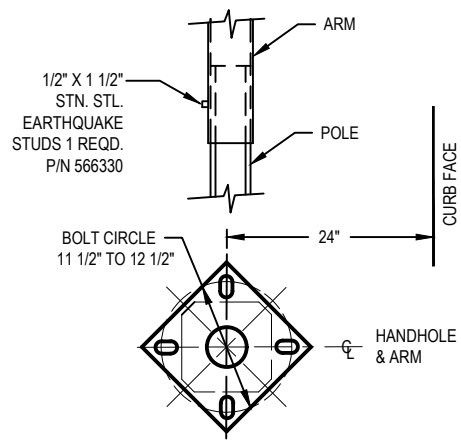
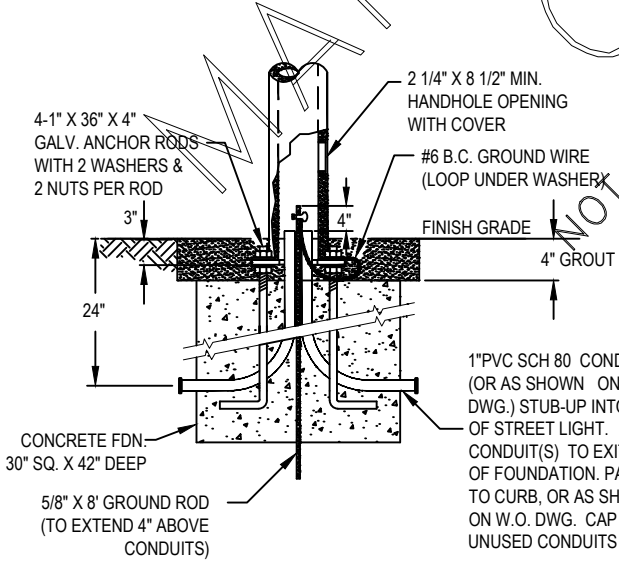
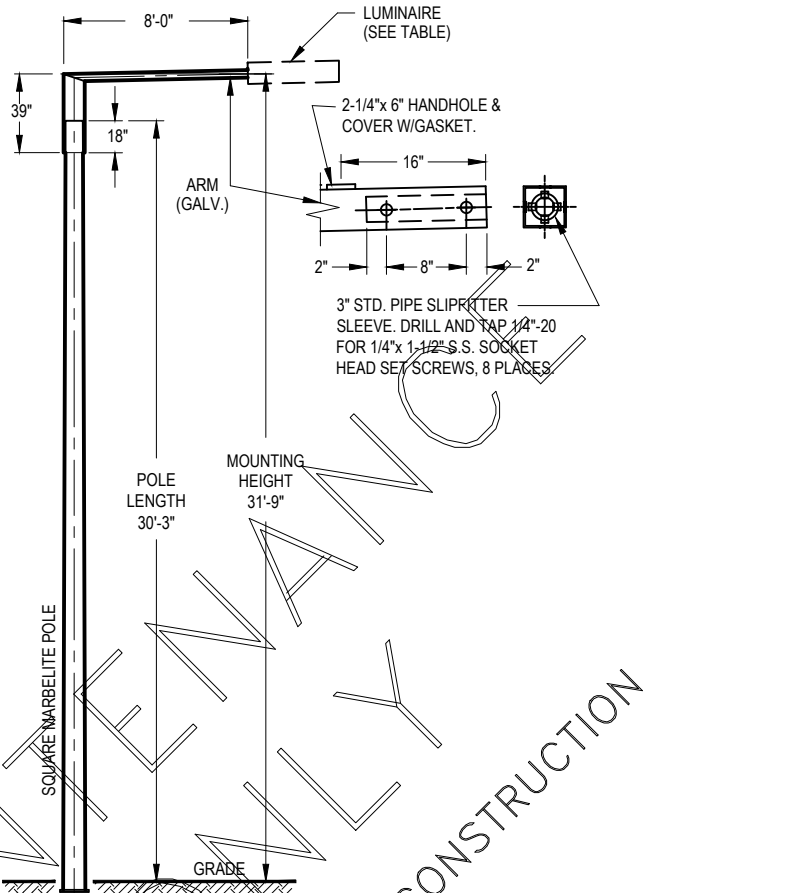


SCOPE: THIS STANDARD SHOWS CITY OF ANAHEIM STREET LIGHT DESIGN #740 CONSTRUCTION AND DETAILS FOR DOWNTOWN REDEVELOPMENT AREA.



BASE DETAIL

FILENAME: L127 REV9

CITY OF ANAHEIM
PUBLIC UTILITIES DEPARTMENT
ELECTRICAL DIVISION
T&D CONSTRUCTION STANDARDS

REVISION KEYS:

ADDED / REVISED TEXT

ADDED / REVISED MATERIAL

NEW SHEET

NEW SHEET

CITY OF ANAHEIM
STREET LIGHT DESIGN #740
DOWNTOWN REDEVELOPMENT AREA

REVISION NO. **9**
ISSUE DATE: **01-17**
SHEET **1** OF **2**
CONSTRUCTION STANDARD:

L 127

APPROVALS				
PREP BY	T&D MGR	SYS PLN MGR	OPS MGR	SUB MAINT
MH	EB	N/A	DA	N/A

NOTES:

1. POLE CONCRETE SHALL BE 6000 PSI COMPRESSION MINIMUM IN 28 DAYS, MANUFACTURED TO ASTM C 1089-88.
2. THE POLE SHALL BE GRAY AND ENTIRELY COATED WITH AMERISHIELD ANTI-GRAFFITTI SEALER.
3. BASE PLATE ASTM A-36 FULLY PRESTRESSED WITH (8) 5/16" DIAMETER, A-416 WIRES MINIMUM.
4. FOR COMPLETE POLE UNIT WITHOUT THE LUMINAIRE , POLES ARMS, ORDER "AMERON" PART NUMBER **1C5-30CP-MOD31-6.**
5. FOR COMPLETE LUMINAIRE UNIT WITH SET SCREW TO BE ATTACHED TO THE ARM, ORDER "ARCHITECTURAL LANDSCAPE LIGHTING", MODEL NUMBER: **AL01-ESF-200HPS-240-SXIII-GRY-PCCT-SJR400 OR AL01-ESF-200HPS-120-SXIII-GRY-PCCT-SJR400.**
6. WIRING SHALL BE # 14 COPPER WIRES WITH XHHW-2 INSULATION (BLACK- PHASE, WHITE-NEUTRAL, GREEN-GROUND).
7. COMPATIBLE UNIT FOR ITEM 1 OF BILL OF MATERIAL TABLE, INCLUDES, POLE, AND LUMINAIRE.
8. THE POLE SUGGESTED MANUFACTURER IS "AMERON", AND VENDORS TO ORDER THE UNIT ARE SOUTHCOAST LIGHTING, WESCO LIGHTING, PACIFIC LIGHT CORPORATION, AND ONE SOURCE.
9. FOR LUMINAIRE DETAIL DRAWING SEE CONSTRUCTION STANDARD L126.
10. FOR GALVANIZED STEEL ROD ARM, ORDER "AMERON" MODEL NO. **CS8** FOR THE **1C4** SHAFT.

ITEM	QTY	DESCRIPTION	ANAHEIM PART NO.	COMPATIBLE UNIT
1		POLE, WITH ARMS AND ANCHOR BOLTS	-	SLDES740
2	1	POLE, WITH ANCHOR BOLTS	476045	-
3	1	LUMINAIRE 200 WATTS, 120 VOLTS	474045	L200H120RECT
		LUMINAIRE 200 WATTS, 240 VOLTS	474050	L200H240RECT
-	-	LUMINAIRE 250 WATTS, 120/240 VOLTS	474170	-
4	1	MAST ARM- 8 FOOT	464025	-

FILENAME: L127 REV9

CITY OF ANAHEIM PUBLIC UTILITIES DEPARTMENT ELECTRICAL DIVISION T&D CONSTRUCTION STANDARDS		REVISION KEYS:	ADDED / REVISED TEXT	ADDED / REVISED MATERIAL	NEW SHEET	NEW SHEET
		CITY OF ANAHEIM STREET LIGHT DESIGN #740 DOWNTOWN REDEVELOPMENT AREA				REVISION NO. 9
APPROVALS				SHEET 2 OF 2		CONSTRUCTION STANDARD:
PREP BY	T&D MGR	SYS PLN MGR	OPS MGR	SUB MAINT	L 127	
MH	EB	N/A	DA	N/A		