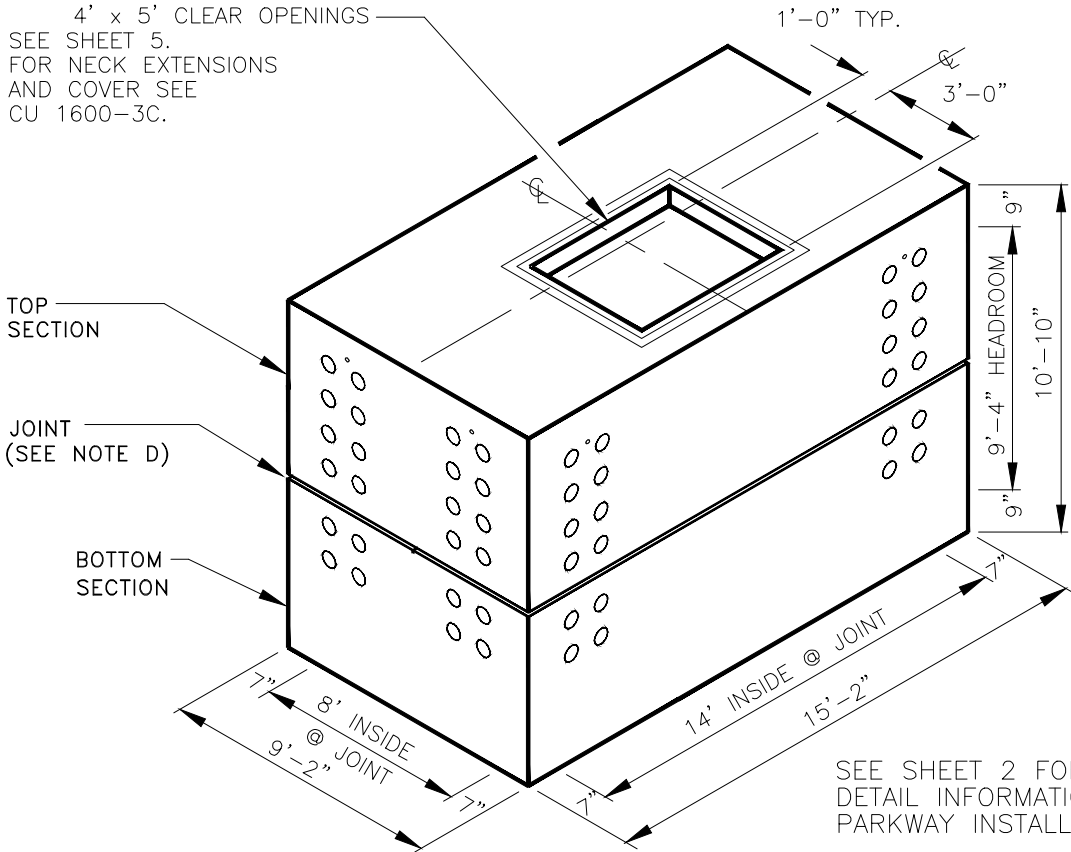


SCOPE: THIS STANDARD SHOWS DETAILS OF 8' x 14' x 9'-4" DISTRIBUTION VAULT, PARKWAY OR TRAFFIC INSTALLED.

4' x 5' CLEAR OPENINGS
SEE SHEET 5.
FOR NECK EXTENSIONS
AND COVER SEE
CU 1600-3C.



SEE SHEET 2 FOR TYPICAL
DETAIL INFORMATION AND
PARKWAY INSTALLATION

VAULT LOCATION	STYLE	JENSEN CAT. NO.	UTILITY VAULT CAT. NO.	ANAHEIM CU. NO.
TRAFFIC	TUB	K814-FV112-163F	ANA814114DV	V8X14CONT

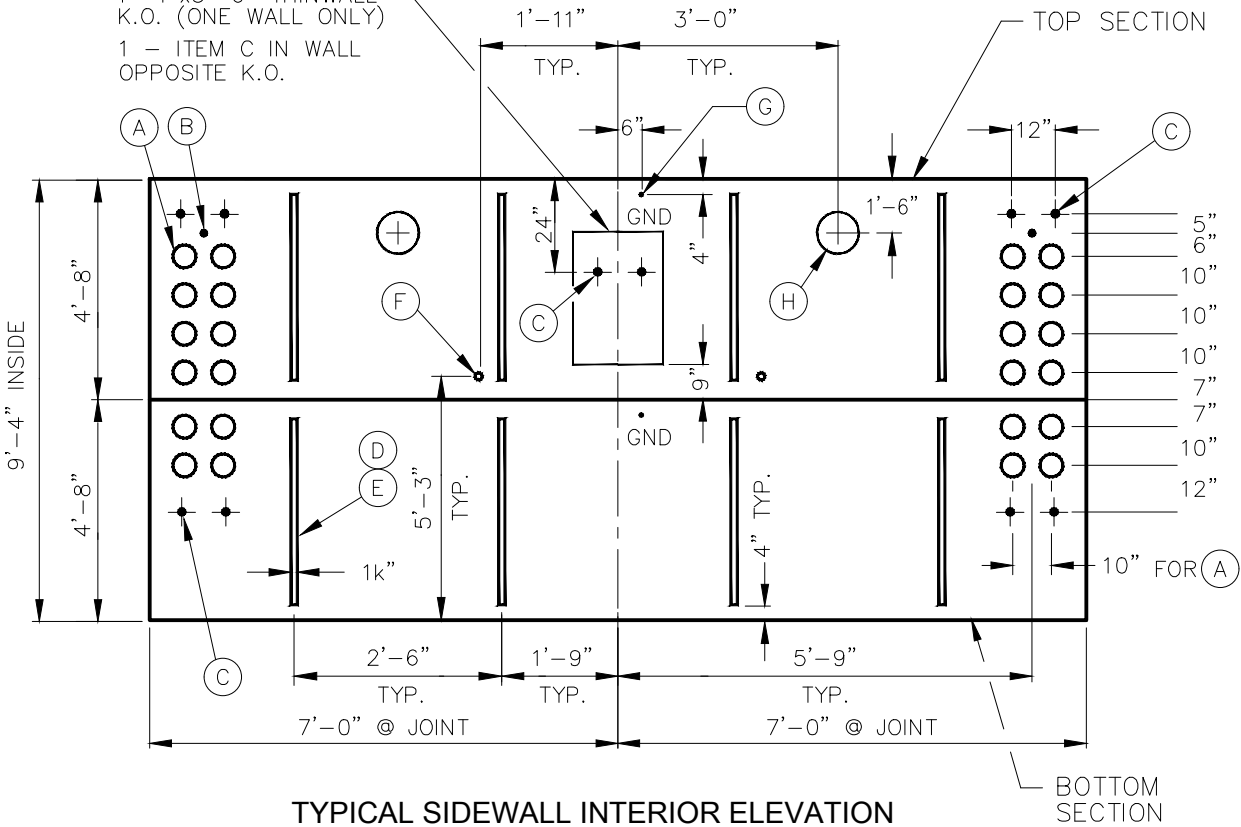
TRAFFIC INSTALLATION

MOVED PARKWAY STYLE TO MAINTENANCE

FILENAME: CU 1600-3F REV9

CITY OF ANAHEIM PUBLIC UTILITIES DEPARTMENT ELECTRICAL DIVISION T&D CONSTRUCTION STANDARDS	REVISION KEYS: ADDED / REVISED TEXT ADDED / REVISED MATERIAL	NEW SHEET	NEW SHEET
	DISTRIBUTION VAULT 8' x 14' x 9'-4" DEEP PARKWAY OR TRAFFIC INSTALLED		REVISION NO. 9
			ISSUE DATE: 01-16
			SHEET 1 OF 5
APPROVALS PREP BY: <i>MH</i> T&D MGR: <i>EB</i> SYS PLN MGR: --- OPS MGR: <i>DA</i> SUB MAINT: ---	CONSTRUCTION STANDARD: CU 1600-3F		

NOTE:
 1'-4" x 3'-0" THINWALL
 K.O. (ONE WALL ONLY)
 1 - ITEM C IN WALL
 OPPOSITE K.O.



TYPICAL SIDEWALL INTERIOR ELEVATION

ITEM (PER SIDEWALL):

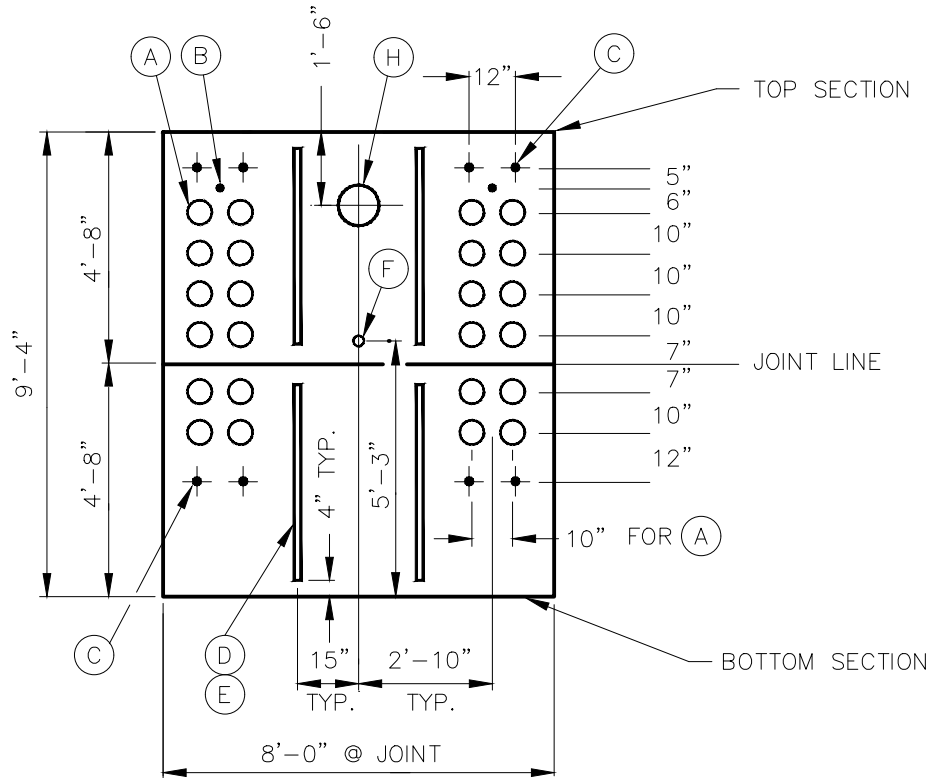
- A. 6" DIAMETER PVC CONDUIT TERMINATORS - 24 REQD.
- B. 1" DIAMETER PVC GROUND WIRE SLEEVE - 2 REQD.
- C. 1" DIA. x 6" DOUBLE COIL INSERT, GALV., 10,000 LB. PULL CAPACITY - 2 REQD. (SEE NOTE ABOVE)
- D. 1k" x 1k" x 48" LG. UNISTRUT WITH SHORT SLOTS, GALV., WITH y" DIA. STAINLESS STEEL FASTENERS - 8 REQD.
- E. y" DIA. IMPERIAL I=5000 PLASTIC INSERT - 16 REQD.
- F. k" DIA. x 3j" NC THREADED INSERT, 2000 LB LOAD CAPACITY - 2 REQD.
- G. y" DIA. BRONZE GROUND INSERT, GROUND TO REINFORCEMENT BARS. - 2 REQD.
- H. 10" DIA. PLASTIC VENT COUPLING - 2 REQD.

MOVED PARKWAY STYLE TO MAINTENANCE

FILENAME: CU 1600-3F REV9

CITY OF ANAHEIM PUBLIC UTILITIES DEPARTMENT ELECTRICAL DIVISION T&D CONSTRUCTION STANDARDS		REVISION KEYS:	ADDED / REVISED TEXT	ADDED / REVISED MATERIAL	NEW SHEET	NEW SHEET
		DISTRIBUTION VAULT 8' x 14' x 9'-4" DEEP PARKWAY OR TRAFFIC INSTALLED				REVISION NO. 9
APPROVALS PREP BY: <i>MH</i> T&D MGR: <i>EB</i> SYS PLN MGR: -- OPS MGR: <i>DA</i> SUB MAINT: --					SHEET 2 OF 5 CONSTRUCTION STANDARD: CU 1600-3F	

FILENAME: CU 1600-3F REV9



TYPICAL ENDWALL INTERIOR ELEVATION

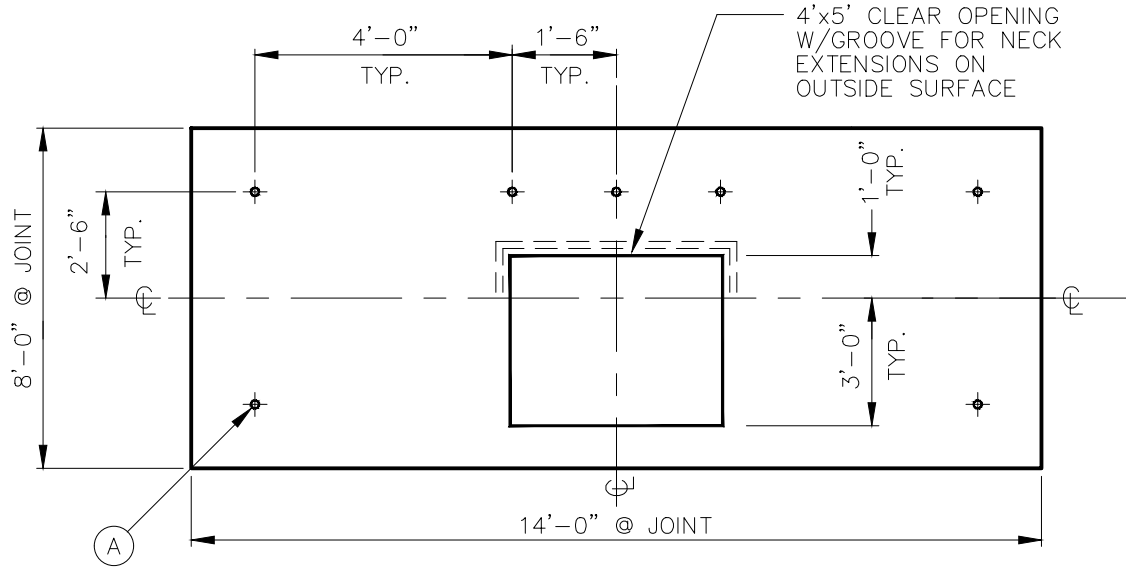
ITEM (PER ENDWALL):

- A. 6" DIAMETER PVC CONDUIT TERMINATORS - 24 REQD.
- B. 1" DIAMETER PVC GROUND WIRE SLEEVE - 2 REQD.
- C. 1" DIA. x 6" DOUBLE COIL INSERT, GALV., 10,000 LB. PULL CAPACITY - 4 REQD.
- D. 1k" x 1k" x 48" LG. UNISTRUT WITH SHORT SLOTS, GALV., WITH y" DIA. STAINLESS STEEL FASTENERS - 4 REQD.
- E. y" DIA. IMPERIAL I=5000 PLASTIC INSERT - 8 REQD.
- F. k" DIA. x 3j" NC THREADED INSERT 2000 LB. LOAD CAPACITY - 1 REQD.
- H. 10" DIA. PLASTIC VENT COUPLING - 1 REQD.

MOVED PARKWAY STYLE TO MAINTENANCE

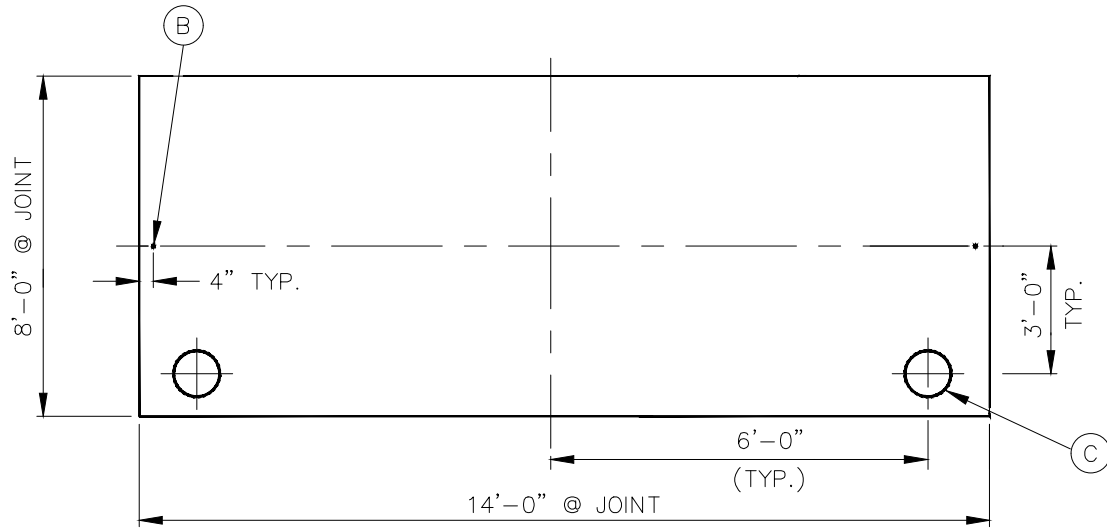
CITY OF ANAHEIM PUBLIC UTILITIES DEPARTMENT ELECTRICAL DIVISION T&D CONSTRUCTION STANDARDS		REVISION KEYS:	ADDED / REVISED TEXT	ADDED / REVISED MATERIAL	NEW SHEET	NEW SHEET
		DISTRIBUTION VAULT 8' x 14' x 9'-4" DEEP PARKWAY OR TRAFFIC INSTALLED				REVISION NO. 9
APPROVALS PREP BY: <i>MH</i> T&D MGR: <i>EB</i> SYS PLN MGR: -- OPS MGR: <i>DA</i> SUB MAINT: --				SHEET 3 OF 5		CONSTRUCTION STANDARD: CU 1600-3F

FILENAME: CU 1600-3F REV9



CEILING VIEW

TRAFFIC TYPE ONLY
(INSERTS (A) NOT REQUIRED FOR PARKWAY STYLE)



FLOOR VIEW

NOTES:

- A. 1" DIA. COIL INSERT, GALV. - 7 REQD.
- B. k" DIA COPPER CLAD GROUND ROD, WELD TO REINFORCEMENT & PROJECT 3" MIN. - 2 REQD.
- C. 13" DIA. SUMP, 5" DEEP W/PLATE RECESS. LOCATE AS SHOWN. - 2 REQD.

MOVED PARKWAY STYLE TO MAINTENANCE



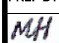
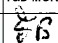
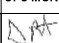
CITY OF ANAHEIM PUBLIC UTILITIES DEPARTMENT ELECTRICAL DIVISION T&D CONSTRUCTION STANDARDS		REVISION KEYS:	ADDED / REVISED TEXT	ADDED / REVISED MATERIAL	NEW SHEET	NEW SHEET	
		DISTRIBUTION VAULT 8' x 14' x 9'-4" DEEP PARKWAY OR TRAFFIC INSTALLED				REVISION NO. 9	ISSUE DATE: 01-16
APPROVALS PREP BY: <i>MH</i> T&D MGR: <i>EB</i> SYS PLN MGR: -- OPS MGR: <i>DA</i> SUB MAINT: --						SHEET 4 OF 5	CONSTRUCTION STANDARD: CU 1600-3F

GENERAL NOTES

- A. THE STRUCTURE SHALL MEET THE APPLICABLE REQUIREMENTS OF THE LATEST REVISED EDITIONS OF THE FOLLOWING STANDARDS: ACI318, ASTM C-857 & AASHTO (WHICH INCLUDES AASHTO H-20 TRAFFIC WHEEL LOADING).
- B. FOR VAULT DESIGN PURPOSES, USE 3' GROUND WATER TABLE LEVEL.
- C. INTERIOR WALLS AND CEILING SHALL BE PAINTED WITH 2 COATS FLAT WHITE PAINT. (FRAZEE #410 LATEX OR APPROVED EQUAL).
- D. ALL JOINTS SHALL BE GASKETED AND WATERTIGHT.
- E. EXCAVATIONS PER CU 1600-4B, MINIMUM SIZE: SEE MANUFACTURES SUGGESTED EXCAVATION SIZE.
- F. SEE CU 1600-4D FOR TYPICAL VAULT SETTING DETAILS.
- G. PANEL OR TUNNEL STYLE REQUIRE APPROVAL BY ELECTRICAL ENGINEERING DIVISION.
- H. TRAFFIC STYLE TO INCLUDE 1 ACCESS LADDER.
- J. FOR VAULT VENTING, SEE CU 1700-6.
- K. FOR SUMP PUMP INSTALLATION, SEE CU 1700-5.
- L. FOR VAULT IDENTIFICATION, SEE CO 114-10.

FILENAME: CU 1600-3F REV9

MOVED PARKWAY STYLE TO MAINTENANCE

CITY OF ANAHEIM PUBLIC UTILITIES DEPARTMENT ELECTRICAL DIVISION T&D CONSTRUCTION STANDARDS		REVISION KEYS:	 ADDED / REVISED TEXT	 ADDED / REVISED MATERIAL	NEW SHEET	NEW SHEET
		DISTRIBUTION VAULT 8' x 14' x 9'-4" DEEP PARKWAY OR TRAFFIC INSTALLED				REVISION NO. 9
APPROVALS PREP BY T&D MGR SYS PLN MGR OPS MGR SUB MAINT				SHEET 5 OF 5		CONSTRUCTION STANDARD:
  				CU 1600-3F		