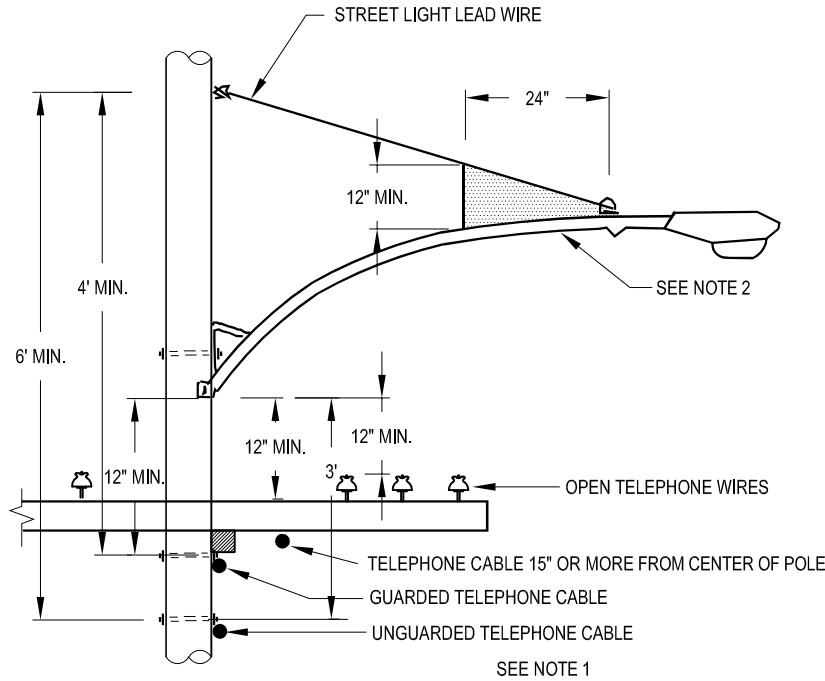
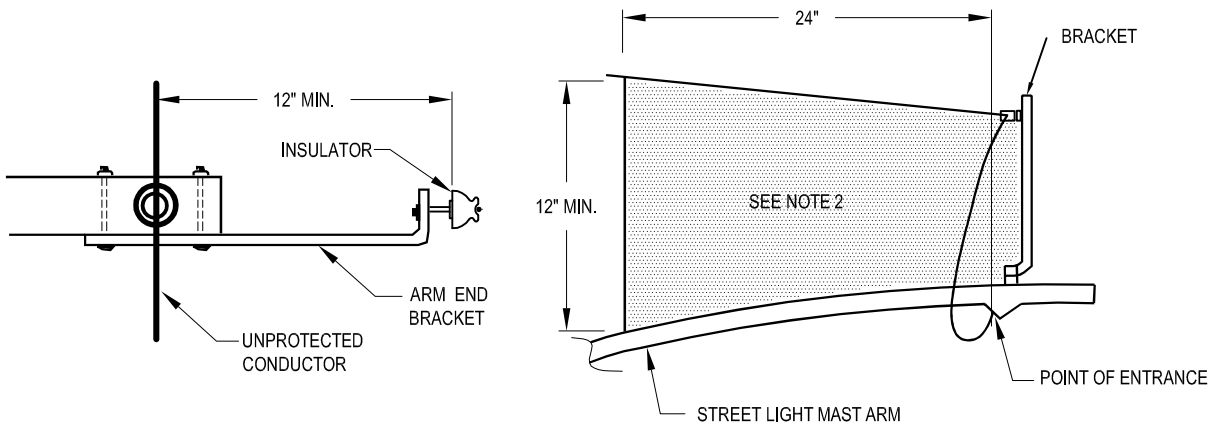


SCOPE: THIS STANDARD SHOWS METHOD OF PROVIDING CLEARANCES WITH ARM-END CLEARANCE BRACKET.

**CLEARANCES REQUIRED BY G. O. 95 RULE 58.2B3 A & B**



**CLEARANCE BRACKET**



**NOTES:**

1. STREET LIGHT HARDWARE OR LEADWIRES SHALL BE 12" MIN. RADIALLY FROM OPEN TELEPHONE WIRES OR 24" BELOW CABLES. AS UNGUARDED CABLES ARE PLACED 24" BELOW OPEN TELEPHONE WIRES, STREET LIGHT BRACKETS SHOULD BE PLACED 36" MIN. ABOVE THESE CABLES TO ALLOW ROOM FOR LATER ADDITION OF ANY OPEN WIRES OR GUARDED CABLE.
2. STREET LIGHT LEAD WIRES SHALL BE 12" MINIMUM RADIALLY FROM STREET LIGHT HARDWARE EXCEPT IN THE SHADED AREA.

FILENAME: L 102 REV1

<b>CITY OF ANAHEIM</b> PUBLIC UTILITIES DEPARTMENT ELECTRICAL DIVISION T&D CONSTRUCTION STANDARDS	REVISION KEYS:  ADDED / REVISED TEXT  ADDED / REVISED MATERIAL	NEW SHEET						
	<b>METHOD OF PROVIDING CLEARANCES WITH ARM-END CLEARANCE BRACKET</b>							
APPROVALS <table border="1"> <tr> <td>T&amp;D MGR</td> <td>FIELD MGR</td> <td>OPER. MGR</td> </tr> <tr> <td></td> <td></td> <td></td> </tr> </table>		T&D MGR	FIELD MGR	OPER. MGR				REVISION NO. <b>1</b> ISSUE DATE: <b>01-08</b> SHEET <b>1</b> OF <b>1</b> CONSTRUCTION STANDARD: <b>L 102</b>
T&D MGR	FIELD MGR	OPER. MGR						