

SCOPE: THIS STANDARD DESCRIBES REQUIREMENTS AND MATERIAL FOR PLUGGING UNOCCUPIED AND OCCUPIED CONDUIT RUNS IN VAULTS AND OTHER SUBSTRUCTURES. THIS WILL PREVENT THE ACCUMULATION OF DIRT, DEBRIS AND FLOW OF WATER OR GASES.

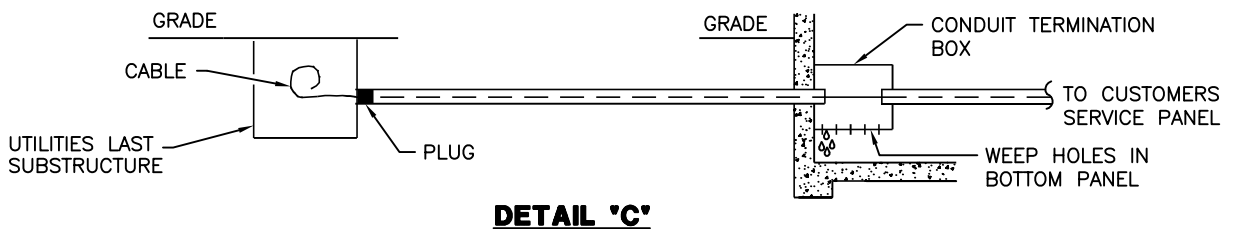
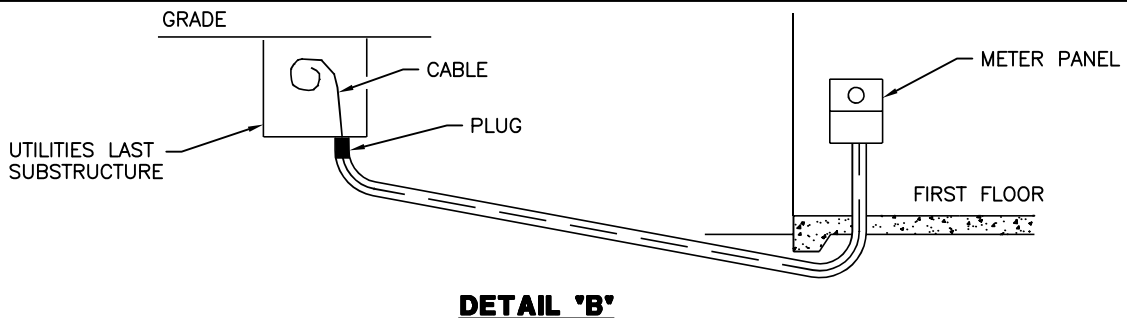
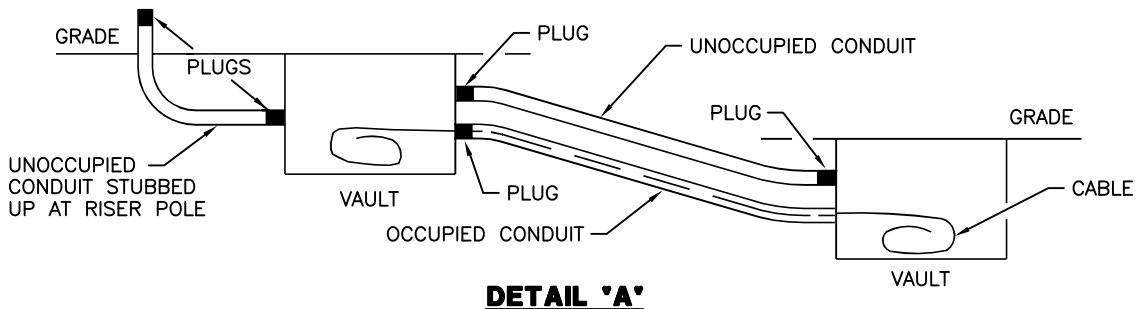
ALL UNOCCUPIED CONDUIT RUNS, EXISTING AND NEWLY INSTALLED, SHALL BE PLUGGED AT BOTH ENDS. INSTALLED PULL ROPE SHALL BE TIED TO THESE PLUGS. SEE DETAIL "A" BELOW AND SHEET 2 FOR MATERIAL.

ALL OCCUPIED CONDUIT RUNS CONTAINING CABLE(S) SHALL BE PLUGGED, AT THE END WITH THE HIGHEST ELEVATION, **WHERE A KNOWN FLOW OF WATER EXISTS.** SEE DETAIL "A" BELOW AND SHEET 2 FOR MATERIAL.

EXCEPTION: WHERE WATER ACCUMULATES IN VAULTS AND ADJACENT SUBSTRUCTURES HAVING NEGLIGIBLE CHANGE IN ELEVATION, OR CONDUIT RUNS HAVING A KNOWN LOW POINT BETWEEN VAULTS AND OR ADJACENT SUBSTRUCTURES, THE CONDUIT RUNS CONTAINING CABLE(S) SHALL BE PLUGGED AT BOTH ENDS.

PLUGGING OF SERVICE CONDUIT(S) (G.O. 128, RULE 31.6), EXITING THE UTILITIES LAST SUBSTRUCTURE, WHICH ARE HIGHER IN ELEVATION THAN THE BUILDINGS FIRST FLOOR (EXCLUDING PORTION TO METER PANEL TERMINATION SECTION) **IS MANDATORY.** SEE DETAIL "B" AND SHEET 2 FOR MATERIAL.

SERVICE CONDUITS WHICH TERMINATE INSIDE A CUSTOMERS METER ROOM OR SERVICE PANEL, WHICH IS **BELOW GRADE**, MUST BE PLUGGED EXITING THE UTILITIES LAST SUBSTRUCTURE. SEE DETAIL "C" AND SHEET 2 FOR MATERIAL. CUSTOMER MAY ALSO BE REQUIRED TO PROVIDE AN APPROVED SERVICE CONDUIT TERMINATION BOX WITH WEEP HOLES IN THE BOTTOM PANEL. THIS TERMINATION BOX SHALL BE LOCATED ON THE WALL WHERE THE SERVICE CONDUITS ENTER THE BUILDING.

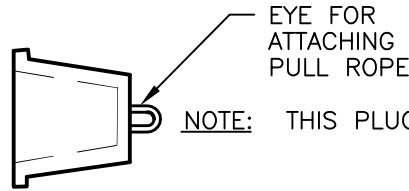


FILENAME: CU1600-96H REV2

CITY OF ANAHEIM PUBLIC UTILITIES DEPARTMENT ELECTRICAL DIVISION T&D CONSTRUCTION STANDARDS	REVISION KEYS:	ADDED / REVISED TEXT	ADDED / REVISED MATERIAL	NEW SHEET									
	<h2 style="margin: 0;">PLUGGING CONDUITS</h2>				REVISION NO. 2 ISSUE DATE: 01-08 SHEET 1 OF 2 CONSTRUCTION STANDARD: CU 1600-96H								
<table border="1" style="width: 100%; border-collapse: collapse;"> <tr> <th colspan="3" style="text-align: center;">APPROVALS</th> </tr> <tr> <td style="width: 33%;">T&D MGR</td> <td style="width: 33%;">FIELD MGR</td> <td style="width: 33%;">OPER. MGR</td> </tr> <tr> <td style="text-align: center;"></td> <td style="text-align: center;"></td> <td style="text-align: center;"></td> </tr> </table>					APPROVALS			T&D MGR	FIELD MGR	OPER. MGR			
APPROVALS													
T&D MGR	FIELD MGR	OPER. MGR											

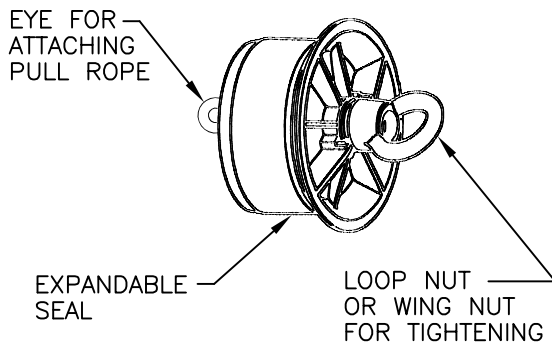
UNOCCUPIED CONDUITS:

NEWLY INSTALLED CONDUITS SHALL BE PLUGGED USING ONE PIECE MOLDED PLASTIC TEMPORARY CONDUIT PLUGS. ATTACH PULL ROPE TO INTEGRAL EYE AND WEDGE PLUG INTO CONDUIT ENDS.



NOTE: THIS PLUG IS NOT STOCKED IN CITY WAREHOUSE.

CONDUITS WITH KNOWN WATER FLOW SHALL BE PLUGGED USING EXPANDABLE BLANK CONDUIT PLUGS SPECIFIED IN TABLE BELOW. THESE PLUGS ARE SIMPLE TO INSTALL: CLEAN INSIDE OF CONDUIT, ATTACH PULL ROPE TO INTEGRAL EYE, SLIP PLUG INTO UNOCCUPIED CONDUIT AND HAND TIGHTEN. PLUGS ARE REUSABLE, RETURN TO STOCK WHEN REMOVED.



EXPANDABLE BLANK CONDUIT PLUGS			
CONDUIT SIZE	ANAHEIM PART NO.	CONDUIT SIZE	ANAHEIM PART NO.
2"	478500	4"	478515
		5"	478520
3"	478510	6"	478525

OCCUPIED CONDUITS:

CONDUITS CONTAINING CABLE(S) AND WITH KNOWN WATER FLOW SHALL BE PLUGGED USING CFC FREE, TWO-PART POLYURETHANE FOAM. INSTALL FOAM PER MANUFACTURERS INSTRUCTIONS. SEE TABLE BELOW FOR REQUIRED FOAM KIT BASED ON CONDUIT SIZE.

SEALING FOAM KITS			
CONDUIT SIZE	KIT SIZE	ANAHEIM PART NO.	MANUFACTURER PART NO.
2" TO 6"	8oz.	478535	SEMCO PR-821-8

NOTES:

- A. ONE KIT REQUIRED FOR EACH CONDUIT TO BE PLUGGED.

SUPERSEDES CU 1600-96J, SH. 1, REV. 0, DTD. 05-93.

FILENAME: CU1600-96H REV2

<p>CITY OF ANAHEIM PUBLIC UTILITIES DEPARTMENT ELECTRICAL DIVISION T&D CONSTRUCTION STANDARDS</p>	<p>REVISION KEYS:</p> <p>ADDED / REVISED TEXT ADDED / REVISED MATERIAL </p>	<p>NEW SHEET</p>						
	<p>PLUGGING CONDUITS</p>		<p>REVISION NO. 2</p> <p>ISSUE DATE: 01-08</p> <p>SHEET 2 OF 2</p> <p>CONSTRUCTION STANDARD:</p>					
			<p>CU 1600-96H</p>					
<p>APPROVALS</p> <table border="1"> <tr> <td>T&D MGR</td> <td>FIELD MGR</td> <td>OPER. MGR</td> </tr> <tr> <td></td> <td></td> <td></td> </tr> </table>			T&D MGR	FIELD MGR	OPER. MGR			
T&D MGR	FIELD MGR	OPER. MGR						