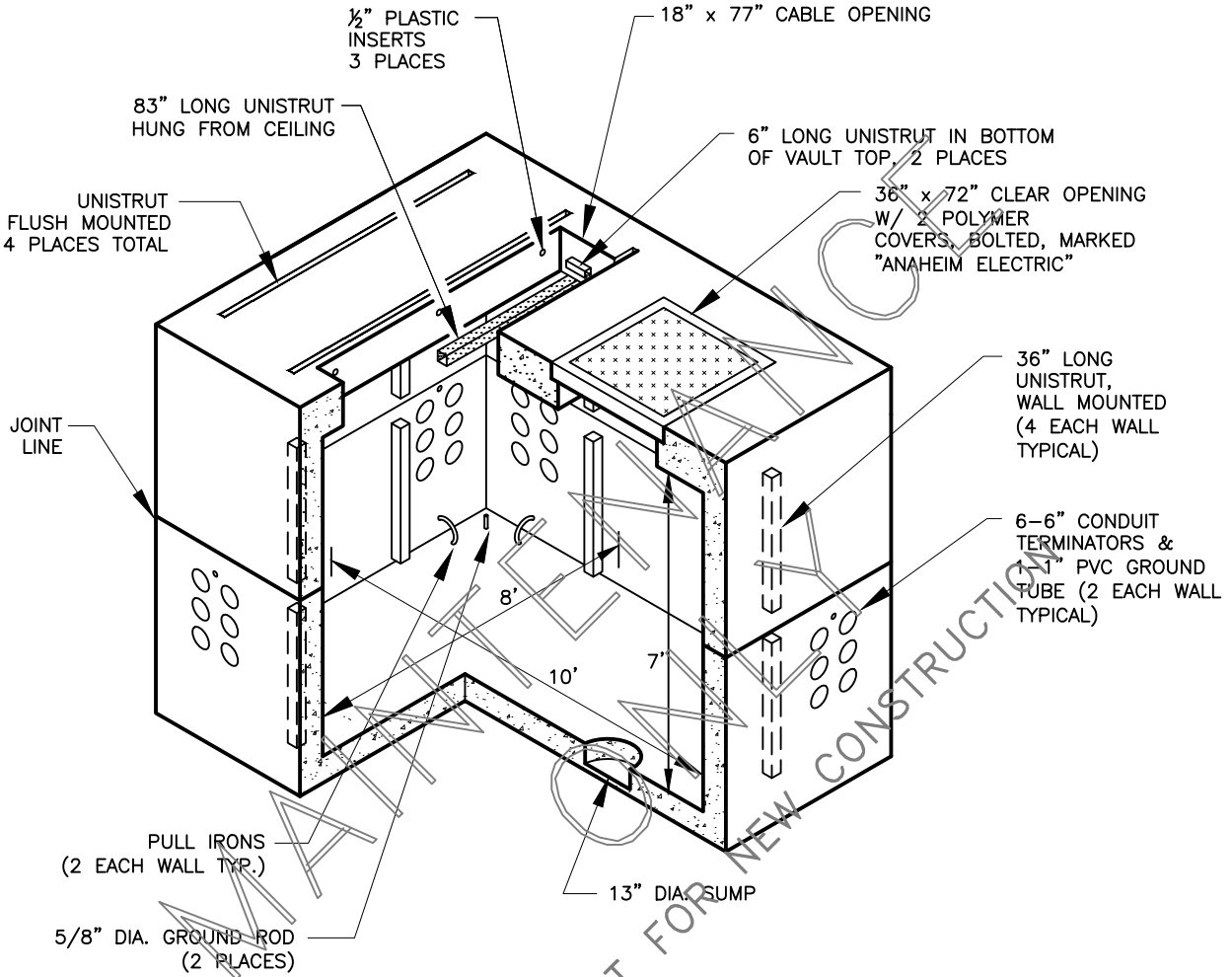


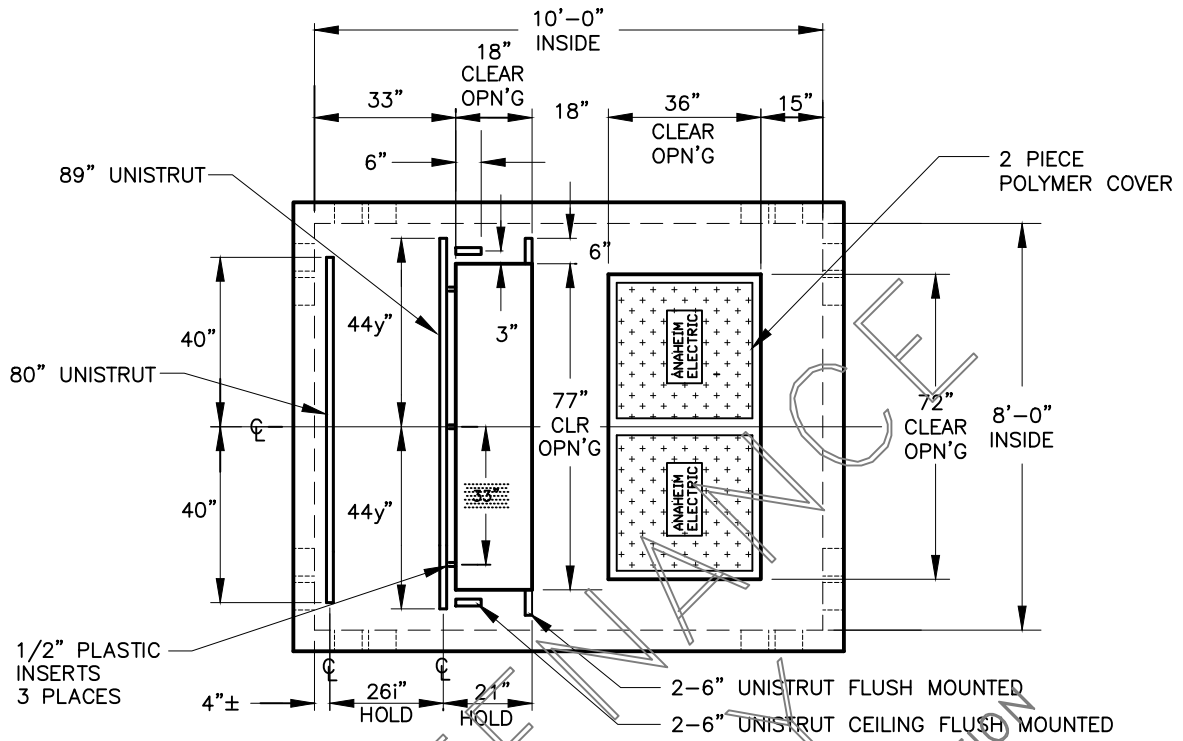
SCOPE: THIS STANDARD SHOWS DETAILS AND INSTALLATION REQUIREMENTS FOR 8' x 10' x 7' DEEP TUB STYLE PAD VAULT FOR PMV PAD MOUNT SWITCH CABINET IN NON TRAFFIC LOCATIONS.



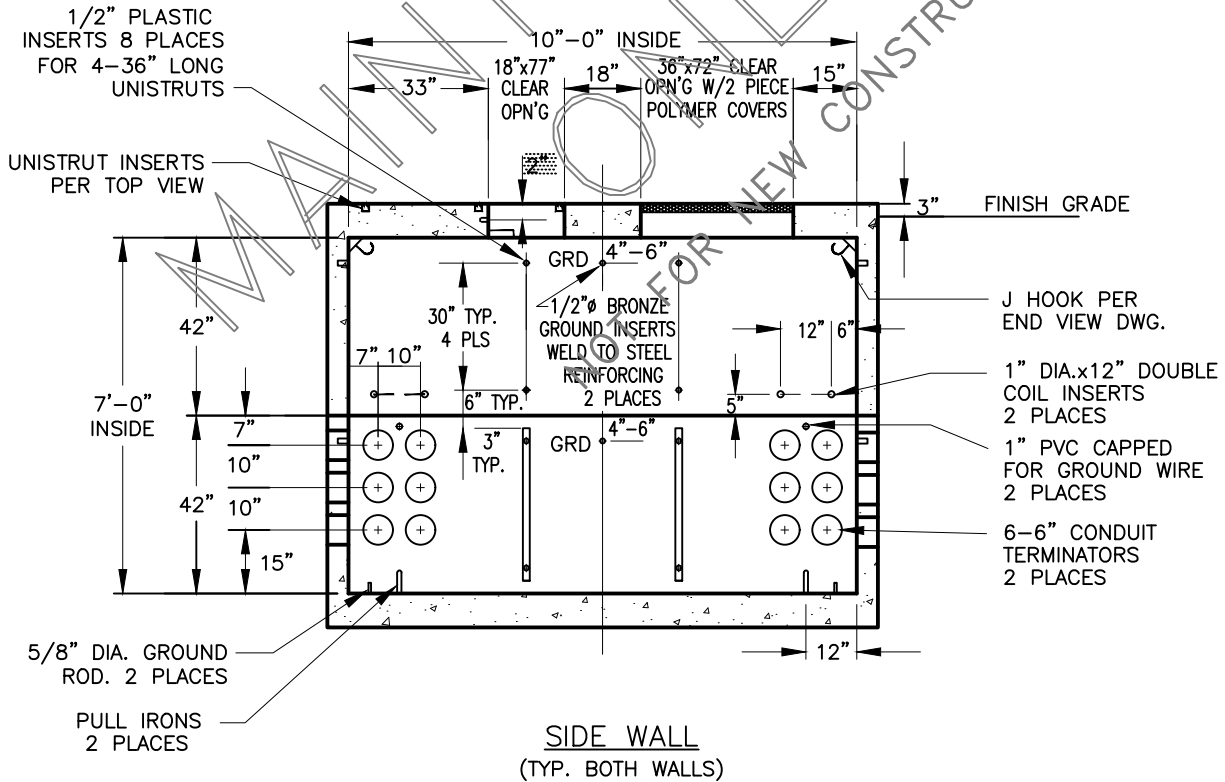
LOCATION	STYLE	JENSEN PRECAST	UTILITY VAULT CO.	ANAHEIM	
				PART NO.	CU NO.
PARKWAY	TUB	K810-PMV84-16	81-084VLT	486285	V8x10-VFICONT
WEIGHT (LBS)		37,765	34,000		

FILENAME: CU1600-18 REV5

CITY OF ANAHEIM PUBLIC UTILITIES DEPARTMENT ELECTRICAL DIVISION T&D CONSTRUCTION STANDARDS		REVISION KEYS:	ADDED / REVISED TEXT	ADDED / REVISED MATERIAL	NEW SHEET	NEW SHEET											
		PMV PADMOUNT SWITCH PAD/VAULT 8' X 10' X 7' DEEP				REVISION NO. 5	NEW SHEET										
APPROVALS <table border="1" style="width: 100%; border-collapse: collapse;"> <tr> <td style="font-size: x-x-small;">PREP BY</td> <td style="font-size: x-x-small;">T&D MGR</td> <td style="font-size: x-x-small;">SYS PLN MGR</td> <td style="font-size: x-x-small;">OPS MGR</td> <td style="font-size: x-x-small;">SUB MAINT</td> </tr> <tr> <td style="font-size: x-x-small;">MH</td> <td style="font-size: x-x-small;">EB</td> <td style="font-size: x-x-small;">---</td> <td style="font-size: x-x-small;">DA</td> <td style="font-size: x-x-small;">---</td> </tr> </table>		PREP BY	T&D MGR	SYS PLN MGR	OPS MGR	SUB MAINT	MH	EB	---	DA	---	CU 1600-18				ISSUE DATE: 01-16	NEW SHEET
		PREP BY	T&D MGR	SYS PLN MGR	OPS MGR	SUB MAINT											
MH	EB	---	DA	---													
		8' X 10' X 7' DEEP				SHEET 1 OF 4	NEW SHEET										
		CU 1600-18				CONSTRUCTION STANDARD:											



PLAN VIEW

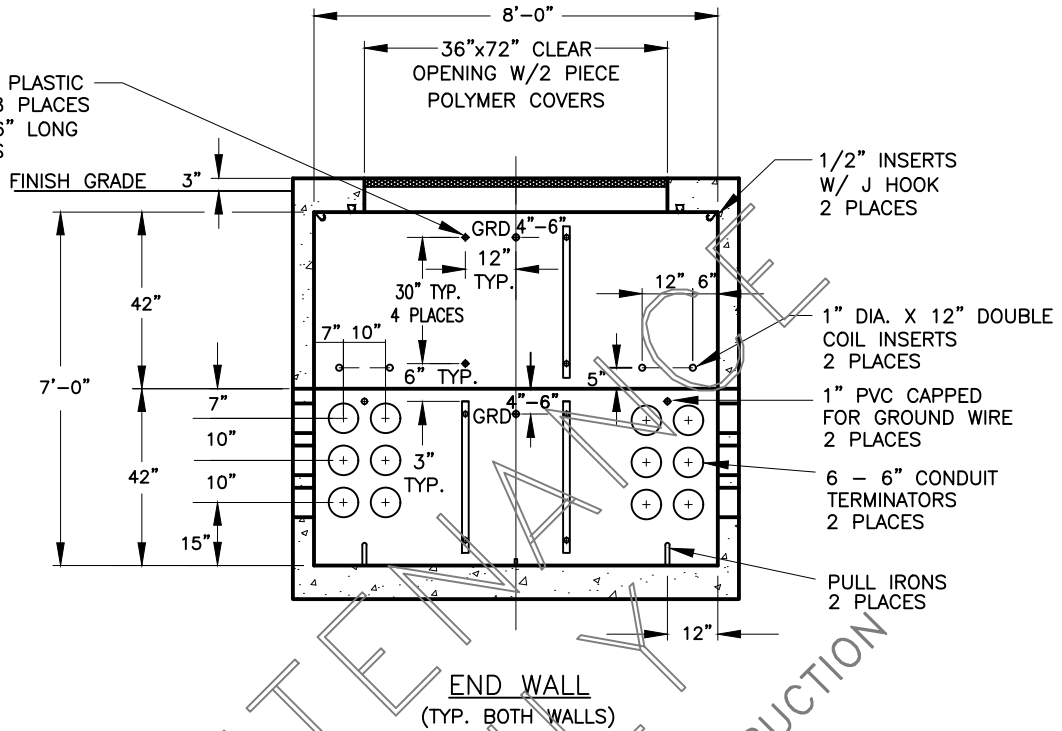


SIDE WALL
(TYP. BOTH WALLS)

FILENAME: CU1600-18 REV5

CITY OF ANAHEIM PUBLIC UTILITIES DEPARTMENT ELECTRICAL DIVISION T&D CONSTRUCTION STANDARDS		REVISION KEYS:	ADDED / REVISED TEXT	ADDED / REVISED MATERIAL	NEW SHEET	NEW SHEET	
		PMV PADMOUNT SWITCH PAD/VAULT 8' X 10' X 7' DEEP				REVISION NO. 5	ISSUE DATE: 01-16
APPROVALS PREP BY: MH T&D MGR: EB MGR: --- OPS MGR: --- SUB MAINT: ---						SHEET 2 OF 4	CONSTRUCTION STANDARD: CU 1600-18

1/2" DIA. PLASTIC INSERTS 8 PLACES FOR 4-36" LONG UNISTRUTS



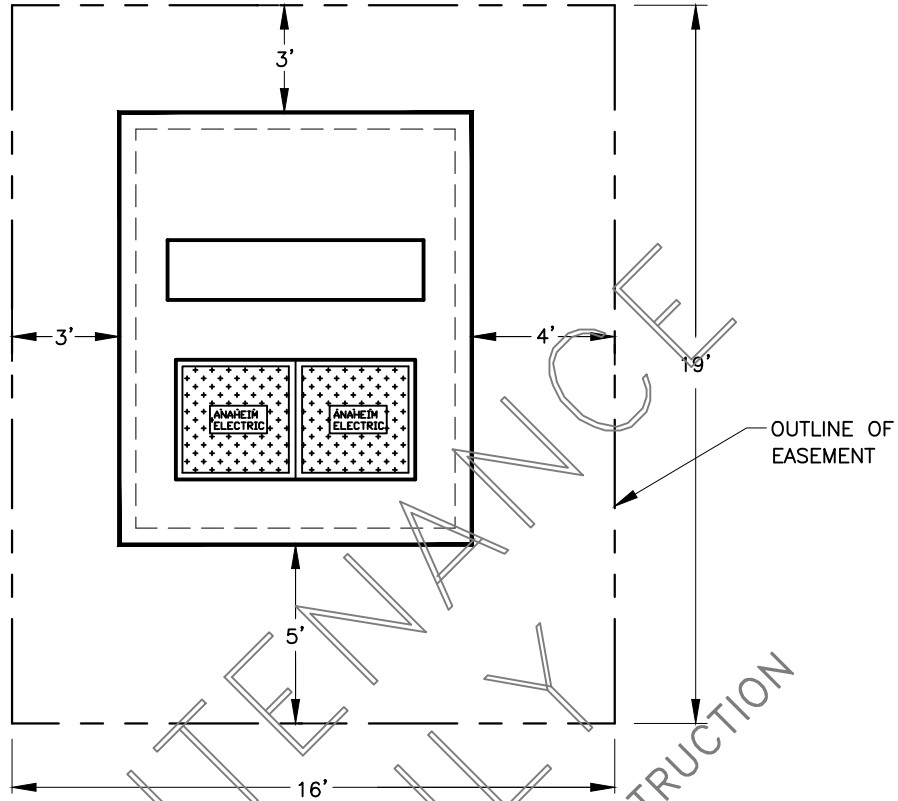
NOTES:

- A. STRUCTURE SHALL MEET THE APPLICABLE REQUIREMENTS OF THE FOLLOWING STANDARDS; ACI 318, ASTM C-857 AND AASHTO H-20-44 BRIDGE LOADING.
- B. USE 3' GROUND WATER TABLE LEVEL FOR VAULT DESIGN PURPOSES.
- C. MINIMUM SOIL BEARING CAPACITY FOR VAULT DESIGN PURPOSES IS 2,000 PSF UNLESS OTHERWISE DOCUMENTED.
- D. CONCRETE SHALL HAVE 5,500 PSI COMPRESSIVE STRENGTH AND 60,000 PSI YIELD STRENGTH GRADE 60, A-706 STEEL REINFORCEMENT.
- E. MINIMUM EXCAVATION SIZE IS 10'x12'xDEPTH REQUIRED PER CU 1600-4B. SET VAULT SO TOP IS 3" ABOVE FINISH GRADE.
- F. INTERIOR WALLS AND CEILING SHALL BE PAINTED WITH 2 COATS FLAT WHITE PAINT (FRAZEE #410 LATEX OR APPROVED EQUAL).
- G. ALL JOINTS MUST BE GASKETED AND WATERTIGHT.
- H. ALL UNISTRUTS SHALL BE GALVANIZED AFTER CUTTING TO REQUIRED LENGTH.
- J. WHERE REQUIRED, UNISTRUT SHALL BE INSTALLED USING STAINLESS STEEL FASTENERS.
- K. FOR SUMP PUMP INSTALLATION, SEE CU 1700-5.
- L. FOR VAULT IDENTIFICATION, SEE CO 114-10.

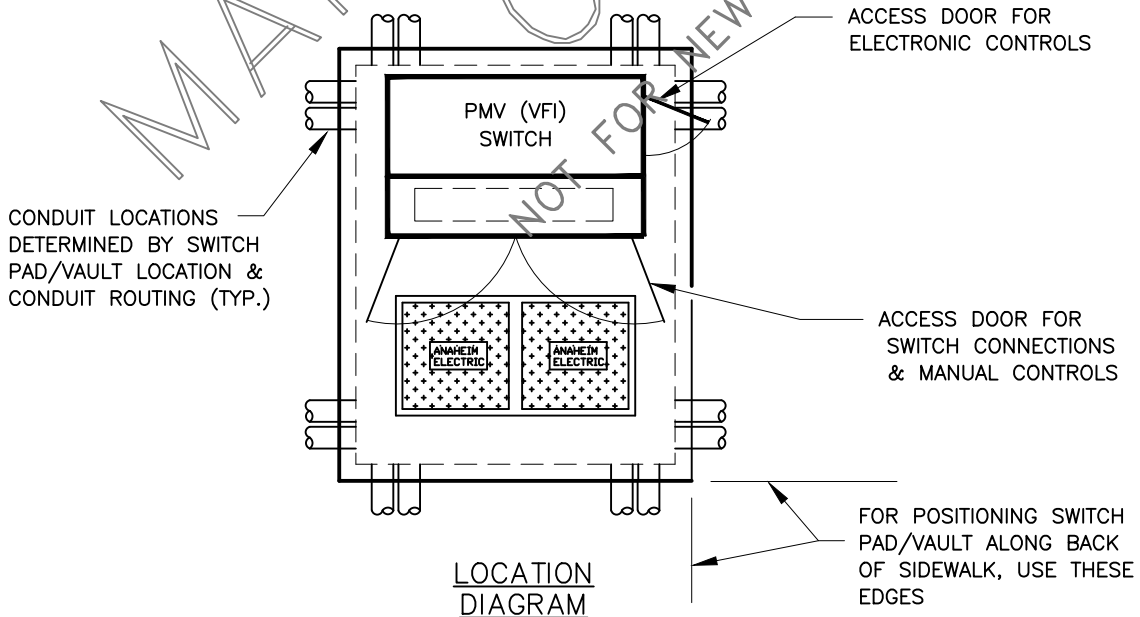
FILENAME: CU1600-18 REV5

CITY OF ANAHEIM PUBLIC UTILITIES DEPARTMENT ELECTRICAL DIVISION T&D CONSTRUCTION STANDARDS		REVISION KEYS: ADDED / REVISED TEXT ADDED / REVISED MATERIAL		NEW SHEET	NEW SHEET
		PMV PADMOUNT SWITCH PAD/VAULT 8' X 10' X 7' DEEP			
APPROVALS					
PREP BY	T&D MGR	SYS PLN MGR	OPS MGR	SUB MAINT	
MH	EB	--	DA	--	

FILENAME: CU1600-18 REV5



EASEMENT REQUIREMENTS



LOCATION DIAGRAM

CITY OF ANAHEIM
PUBLIC UTILITIES DEPARTMENT
ELECTRICAL DIVISION
T&D CONSTRUCTION STANDARDS

REVISION KEYS:



ADDED / REVISED TEXT



ADDED / REVISED MATERIAL

NEW SHEET

NEW SHEET

**PMV PADMOUNT SWITCH
PAD/VAULT
8' X 10' X 7' DEEP**

REVISION NO. **5**

ISSUE DATE: **01-16**

SHEET **4** OF **4**

CONSTRUCTION STANDARD:

CU 1600-18

APPROVALS

PREP BY	T&D MGR	SYS PLN MGR	OPS MGR	SUB MAINT
MH	EB	--	DA	--