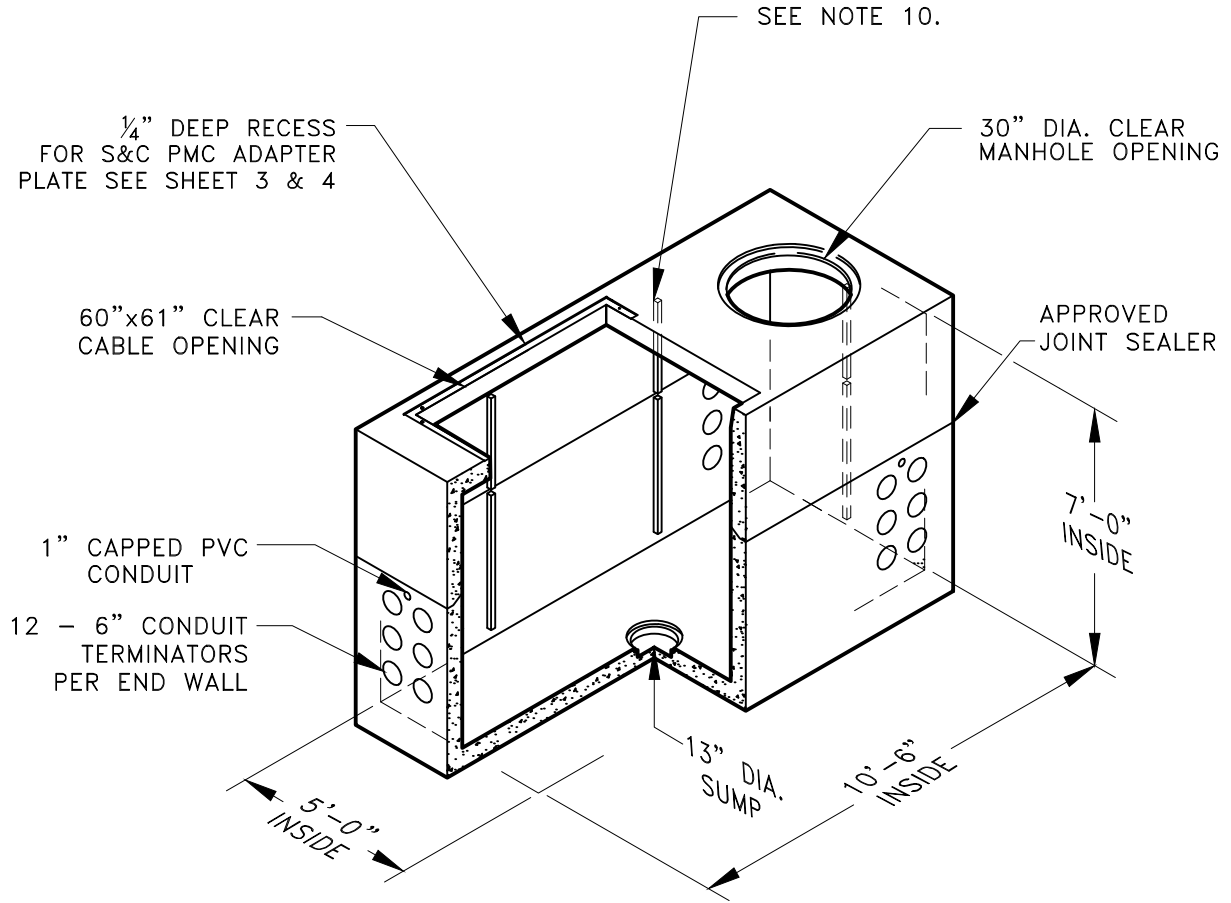


SCOPE: THIS STANDARD SHOWS OPTION 2 AND 3 OF CU 1600-5 IN A 5'x10'-6"x7' HIGH PRECAST VAULT FOR INSTALLATION OF PMC & PME SWITCH CABINETS.



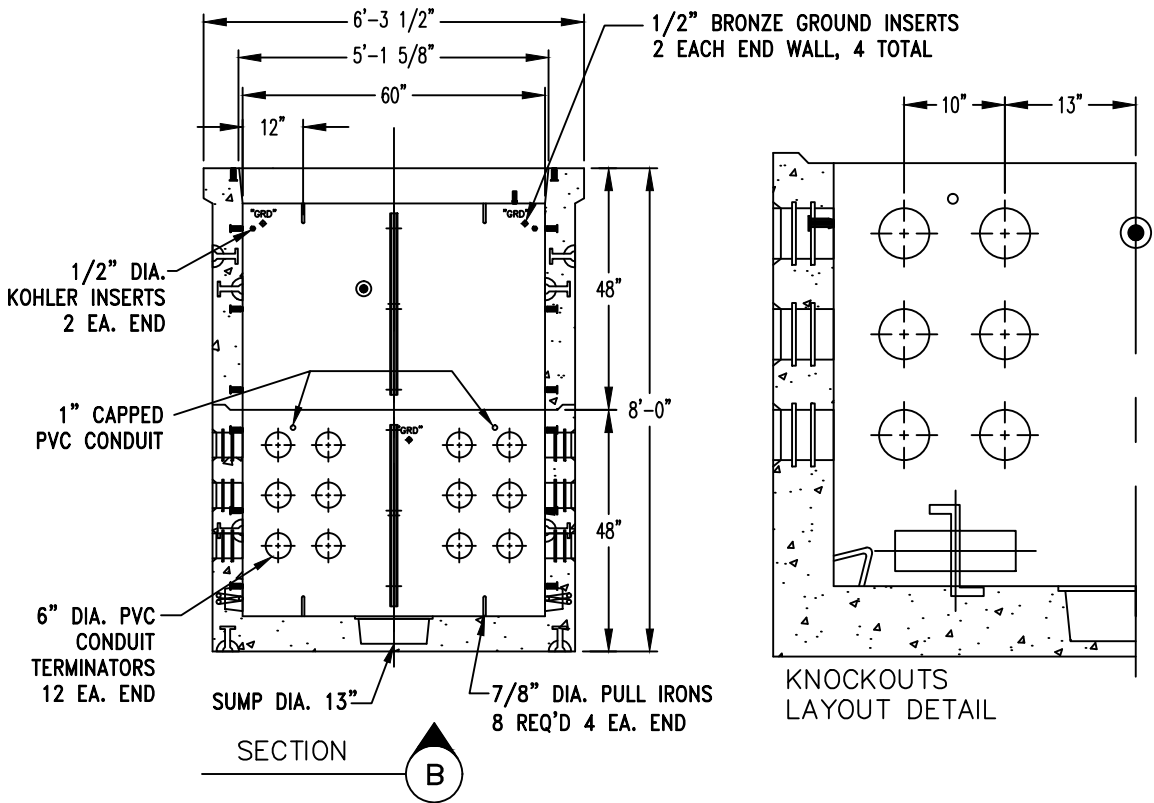
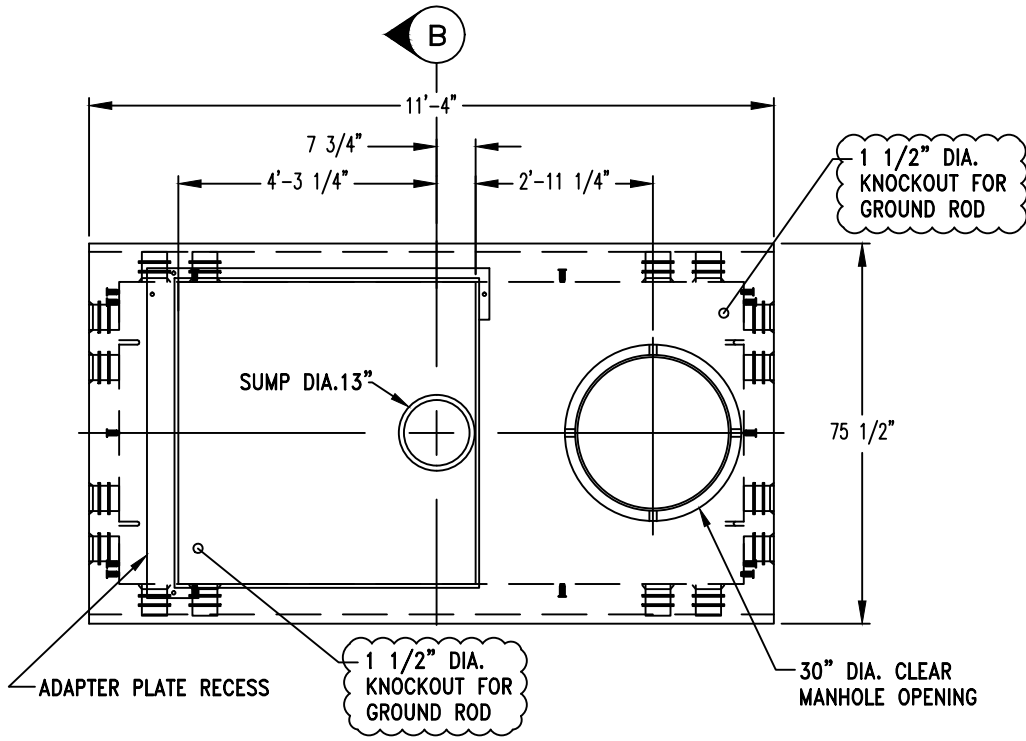
LOCATION	STYLE	JENSEN PRECAST	UTILITY VAULT CO.	ANAHEIM CU NO.
PARKWAY	TUB	K5106-PUV84-16-ALT	5106-84-PMH 1C19-6941	VPMC5X10-6X7CON

FILENAME: CU1600-3J REV4

CITY OF ANAHEIM PUBLIC UTILITIES DEPARTMENT ELECTRICAL DIVISION T&D CONSTRUCTION STANDARDS	REVISION KEYS: ADDED / REVISED TEXT ADDED / REVISED MATERIAL	NEW SHEET
	PRECAST TUB-TYPE PMC 5' WIDE x 10'-6" LONG x 7' HIGH	
	REVISION NO. 4 ISSUE DATE: 01-13 SHEET 1 OF 4 CONSTRUCTION STANDARD:	
	CU 1600-3J	

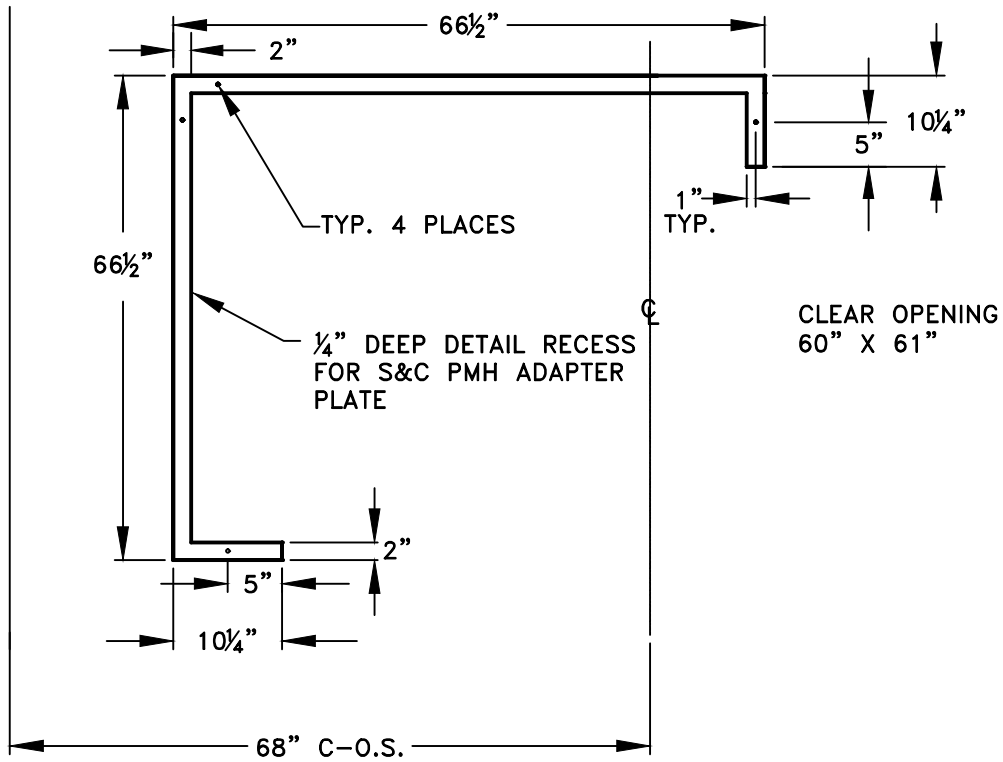
APPROVALS				
PREP BY	T&D MGR	SYS PLN MGR	OPS MGR	SUB MAINT
MH	EB	-	CM	-

FILENAME: CU1600-3J REV4

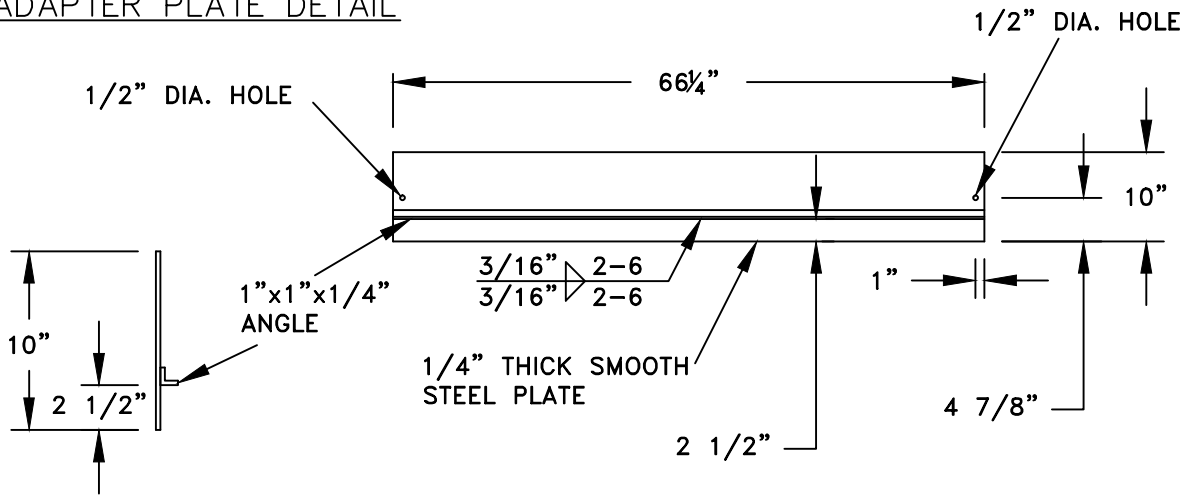


CITY OF ANAHEIM PUBLIC UTILITIES DEPARTMENT ELECTRICAL DIVISION T&D CONSTRUCTION STANDARDS		REVISION KEYS: [Pattern] ADDED / REVISED TEXT [Arrow] ADDED / REVISED MATERIAL	NEW SHEET
APPROVALS PREP BY: T&D MGR [Signature] SYS PLAN MGR [Signature] OPS MGR [Signature] SUB MAINT [Signature]		PRECAST TUB-TYPE PMC 5' WIDE x 10'-6" LONG x 7' HIGH	
REVISION NO. 4 ISSUE DATE: 01-13 SHEET 2 OF 4 CONSTRUCTION STANDARD: CU 1600-3J			

CONCRETE RECESS DETAIL



ADAPTER PLATE DETAIL



ADAPTER PLATE SIDE VIEW

NOTE: FOR LIST OF MATERIAL AND NOTES, SEE SHEET 4 OF 4.

FILENAME: CU1600-3J REV4

<p>CITY OF ANAHEIM PUBLIC UTILITIES DEPARTMENT ELECTRICAL DIVISION T&D CONSTRUCTION STANDARDS</p>	<p>REVISION KEYS:</p> <p>▨ ADDED / REVISED TEXT ➡ ADDED / REVISED MATERIAL □ NEW SHEET</p>	<p>REVISION NO. 4</p>										
	<p align="center">PRECAST TUB-TYPE PMC 5' WIDE x 10'-6" LONG x 7' HIGH</p>	<p>ISSUE DATE: 01-13</p>										
		<p>SHEET 3 OF 4</p>										
		<p>CONSTRUCTION STANDARD: CU 1600-3J</p>										
<p>APPROVALS</p> <table border="1"> <tr> <td>PREP BY</td> <td>T&D MGR</td> <td>SYS PLN MGR</td> <td>OPS MGR</td> <td>SUB MAINT</td> </tr> <tr> <td>MH</td> <td>EB</td> <td>-</td> <td>CM</td> <td>-</td> </tr> </table>		PREP BY	T&D MGR	SYS PLN MGR	OPS MGR	SUB MAINT	MH	EB	-	CM	-	
PREP BY	T&D MGR	SYS PLN MGR	OPS MGR	SUB MAINT								
MH	EB	-	CM	-								

NOTES:

1. CONDUIT KNOCK OUTS TO BE LOCATED AS SHOWN ON SHEET 2. STANDARD CONDUIT ENTRANCE SHALL BE A FLATWALL DESIGN. SLIGHT VARIATIONS BY MANUFACTURERS MAY BE ALLOWABLE WITH T & D ENGINEERING MANAGERS APPROVAL.
2. FOR STRUCTURAL DESIGN CRITERIA, (SEE SHEETS 2 & 3).
3. TOP SURFACE OF PMC STRUCTURE SHALL BE SET 3" ABOVE FINISH GRADE.
4. STEEL ADAPTER PLATE SHALL BE COVERED WITH ONE COAT OF SUBALOX #511FD PRIMER AND ONE COAT OF SUBOX #SFD LIGHT GRAY PAINT. PLATE SHALL BE ATTACHED TO TOP SECTION WITH 3/8"x1" STAINLESS STEEL FLATHEAD SCREWS (SEE #11 SHEET 3 OF 4).
5. NO LIFTING INSERTS OR LIKE DEVICES SHALL BE INSTALLED IN THE TOP OUTSIDE SURFACE OF THE TOP TUB PMC SECTION, OR IN THE FLOOR OF THE BASE SECTION.
6. PLASTIC CONDUIT TERMINATORS SHALL BE A ONE-PIECE DESIGN (SEE #5 SHEET 2 OF 4).
7. EXCAVATION PER CU 1600-4B MINIMUM SIZE 8' WIDE x 13" LONG, DEPTH AS REQUIRED.
8. ADAPTER PLATE TO BE PROVIDED WITH EACH VAULT.
9. FOR PMC & PME VAULT INSTALLATION, EASEMENT REQUIREMENTS AND CONDUIT ARRANGEMENTS SEE CU 1600-5.
10. 1 5/8" x 1 5/8" x 36" GALVANIZED UNISTRUT WITH SHORT SLOTS, SURFACE MOUNTED WITH 1/2" DIA. STAINLESS STEEL BOLTS AND WASHERS, (2) PIECES PER SIDEWALL 3' FROM CORNER, (1) PIECE PER ENDWALL CENTERED, TOP AND BOTTOM SECTIONS OF VAULT. FURNISHED AND INSTALLED BY VAULT MANUFACTURER.
11. 1 1/2" DIA. KNOCKOUT FOR GROUND ROD. (2) BOTTOM SECTION.

FILENAME: CU1600-3J REV4

CITY OF ANAHEIM PUBLIC UTILITIES DEPARTMENT ELECTRICAL DIVISION T&D CONSTRUCTION STANDARDS		REVISION KEYS:	ADDED / REVISED TEXT	ADDED / REVISED MATERIAL	NEW SHEET
		PRECAST TUB-TYPE PMC 5' WIDE x 10'-6" LONG x 7' HIGH			REVISION NO. 4 ISSUE DATE: 01-13 SHEET 4 OF 4 CONSTRUCTION STANDARD: CU 1600-3J
APPROVALS					
PREP BY	T&D MGR	SYS PLAN MGR	OPS MGR	SUB MAINT	
<i>MH</i>	<i>EB</i>	-	<i>CMX</i>	-	