

SCOPE: THIS STANDARD SHOWS APPROVED SOURCES AND INSTALLATION DETAILS FOR 6'x8', 8'x10', AND 10'x12' TRANSFORMER PAD WITH CABLE BOX REQUIRED FOR 12KV, 3PH., PADMOUNT TRANSFORMER INSTALLATION.

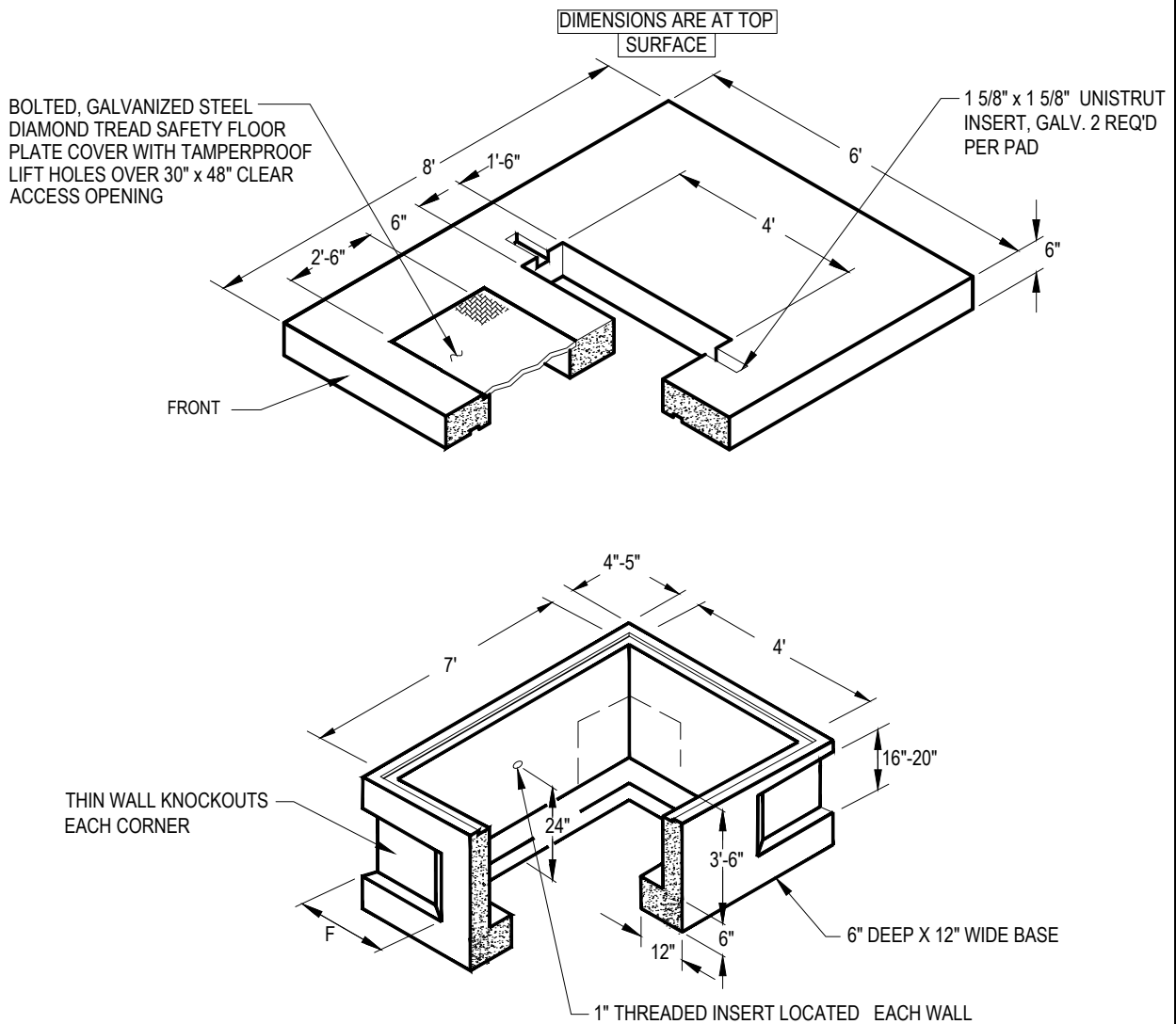


FIGURE 1
6'x8' PAD

TRANSFORMER SIZE (KVA)	PAD SIZE	CABLE BOX SIZE	FIGURE	MFG'R.	CATALOG NO.	RISER SECTION	COMPATIBLE UNIT NO.
75 - 150 (SEE NOTE J)	6'x8'	4'x7'	1	JENSEN	K68-SB42-16		VPMT4X7-6X8CONT
	6'x8'-6"			UTILITY VLT.	ANAHEIM 686SB		
300 - 2500	8'x10'	5'x8'-6"	2	JENSEN	K810-SB60-16	PB586-R12-FF	VPMT5X8-8X10
				UTILITY VLT.	ANAHEIM 810SB	0130250	
2500 - 3750	10'x12'	5'x8'-6"	3	JENSEN	K1012-SB60-16	PB986-R12-FF	VPMT5X8-10X12
				UTILITY VLT.	ANAHEIM 1012SB	0130250	

FILENAME: CU1600-20 REV13

CITY OF ANAHEIM
PUBLIC UTILITIES DEPARTMENT
ELECTRICAL DIVISION
T&D CONSTRUCTION STANDARDS

APPROVALS				
PREP BY	T&D MGR	SYS PLN MGR	OPS MGR	SUB MAINT
MH	EB	--	AT	--

REVISION KEYS: ADDED / REVISED TEXT ADDED / REVISED MATERIAL

**TRANSFORMER PAD WITH
CABLE BOX FOR 12KV
3 PHASE PADMOUNT TRANSFORMERS**

NEW SHEET	NEW SHEET
REVISION NO. 13	
ISSUE DATE: 01-16	
SHEET 1 OF 5	
CONSTRUCTION STANDARD: CU 1600-20	

FILENAME: CU1600-20 REV13

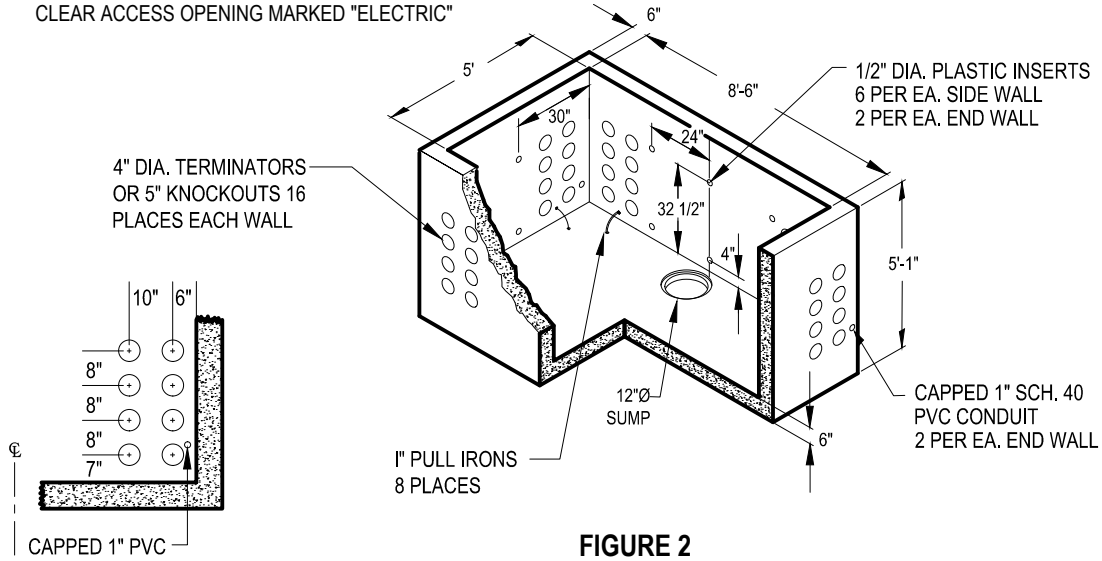
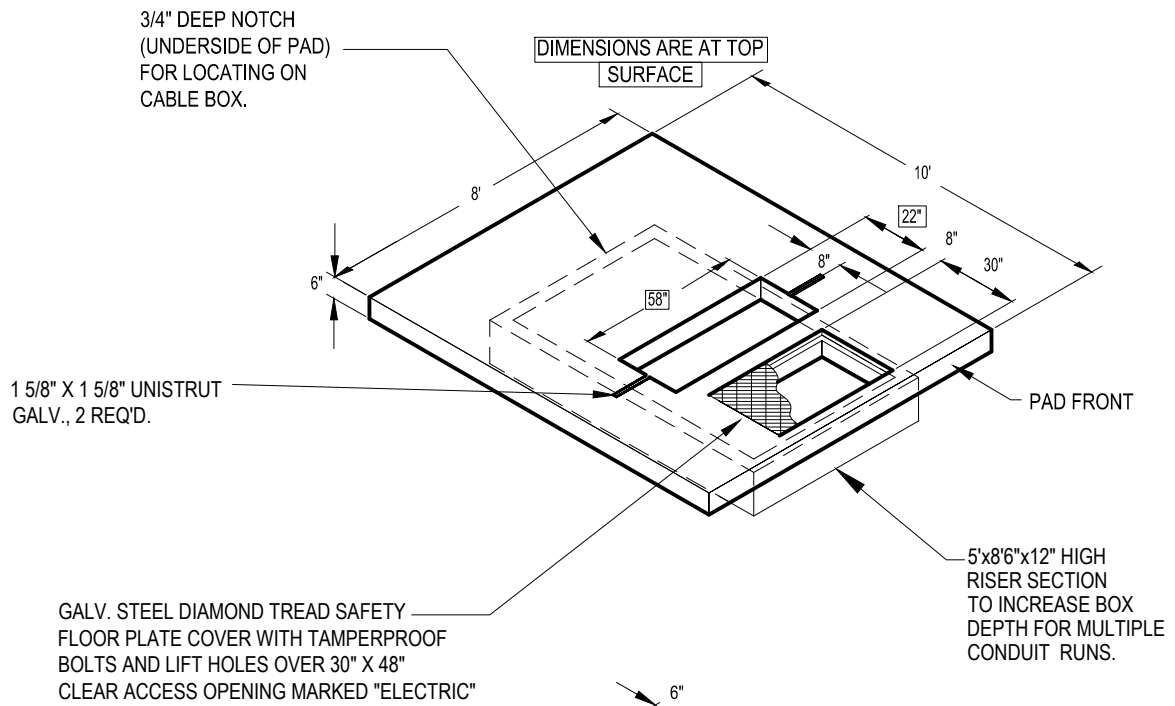
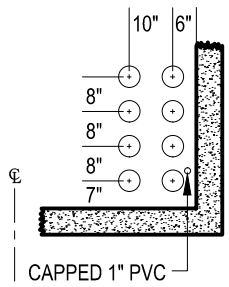


FIGURE 2
8'x10' PAD

4" DIA. TERMINATORS LOCATION (TYPICAL)



CITY OF ANAHEIM PUBLIC UTILITIES DEPARTMENT ELECTRICAL DIVISION T&D CONSTRUCTION STANDARDS		REVISION KEYS:	ADDED / REVISED TEXT	ADDED / REVISED MATERIAL	NEW SHEET	NEW SHEET	
		TRANSFORMER PAD WITH CABLE BOX FOR 12KV 3 PHASE PADMOUNT TRANSFORMERS				REVISION NO. 13	ISSUE DATE: 01-16
APPROVALS PREP BY T&D MGR SYS PLN MGR OPS MGR SUB MAINT --- ---						SHEET 2 OF 5	CONSTRUCTION STANDARD: CU 1600-20

FILENAME: CU1600-20 REV13

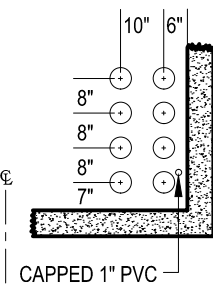
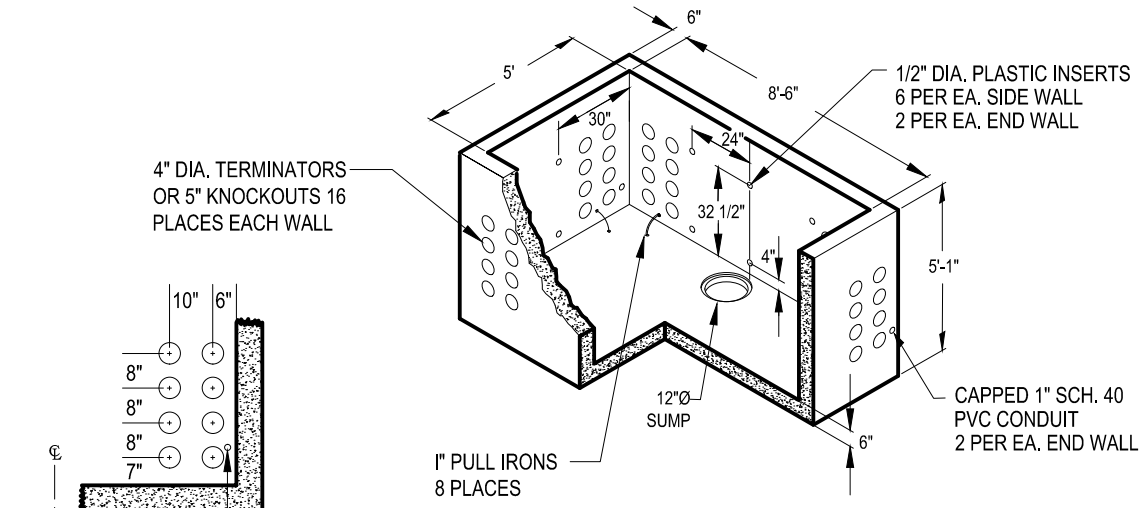
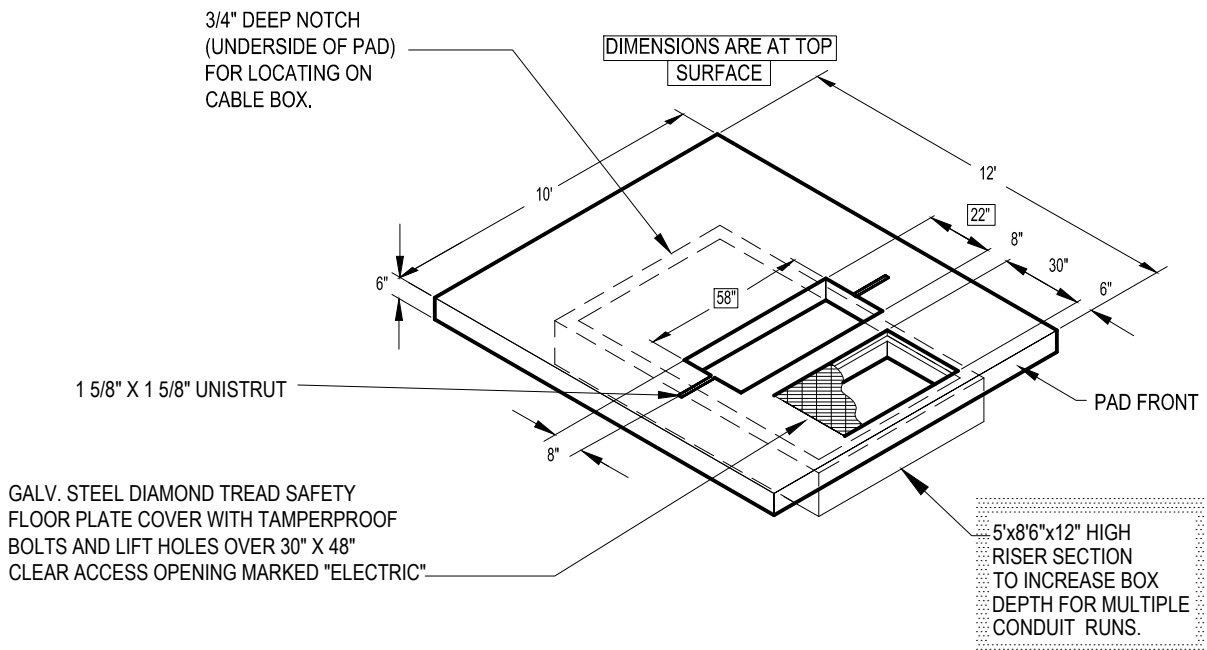
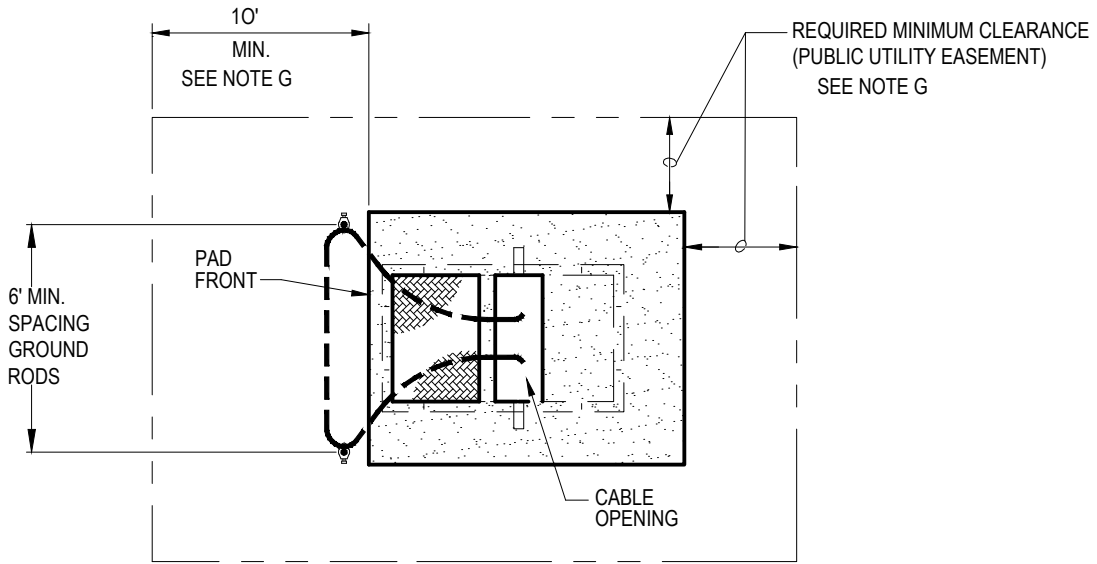


FIGURE 3
10'x12' PAD

<p>CITY OF ANAHEIM PUBLIC UTILITIES DEPARTMENT ELECTRICAL DIVISION T&D CONSTRUCTION STANDARDS</p>	REVISION KEYS:	ADDED / REVISED TEXT	ADDED / REVISED MATERIAL	NEW SHEET	NEW SHEET										
	<p>TRANSFORMER PAD WITH CABLE BOX FOR 12KV 3 PHASE PADMOUNT TRANSFORMERS</p>				REVISION NO. 13										
					ISSUE DATE: 01-16										
					SHEET 3 OF 5										
<p>APPROVALS</p> <table border="1"> <tr> <td>PREP BY</td> <td>T&D MGR</td> <td>SYS PLN MGR</td> <td>OPS MGR</td> <td>SUB MAINT</td> </tr> <tr> <td>MH</td> <td>EB</td> <td></td> <td>DA</td> <td></td> </tr> </table>				PREP BY	T&D MGR	SYS PLN MGR	OPS MGR	SUB MAINT	MH	EB		DA		<p>CONSTRUCTION STANDARD: CU 1600-20</p>	
PREP BY	T&D MGR	SYS PLN MGR	OPS MGR	SUB MAINT											
MH	EB		DA												

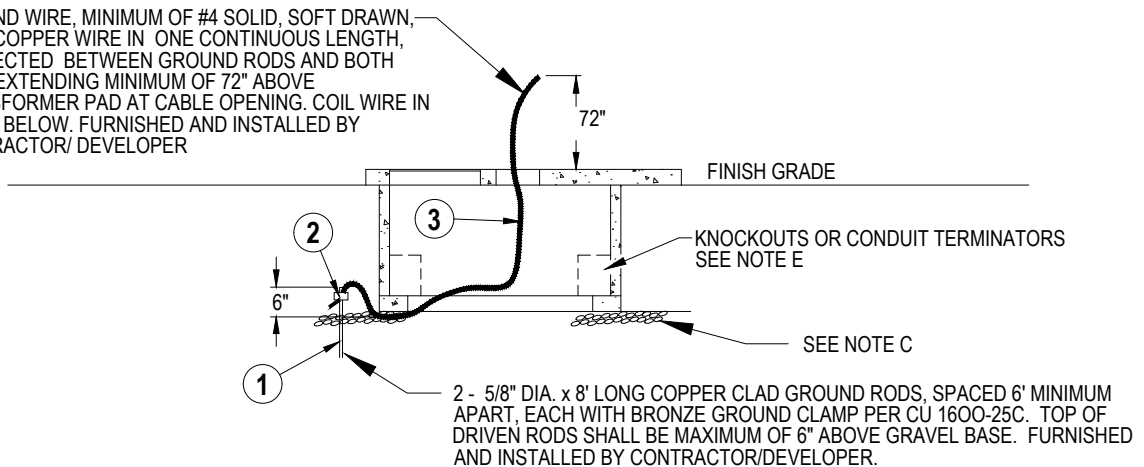
TYPICAL CLEARANCE & GROUNDING REQUIREMENTS



MATERIAL LIST FOR INSTALLATION OF TRANSFORMER PAD WITH CABLE BOX

ITEM	QTY	DESCRIPTION	ANAHEIM PART NO.	COMPATIBLE UNITS
1	2	ROD, GROUND, 5/8" x 8' COPPERCLAD	547005	GRNDROD
2	2	CLAMP, GROUND ROD	568075	GRNDCLMP-ROD
3	40'	WIRE, #4 B.C., SOLID, SOFT DRAWN	446150	W4CUBARE-SD

GROUND WIRE, MINIMUM OF #4 SOLID, SOFT DRAWN, BARE COPPER WIRE IN ONE CONTINUOUS LENGTH, CONNECTED BETWEEN GROUND RODS AND BOTH ENDS EXTENDING MINIMUM OF 72" ABOVE TRANSFORMER PAD AT CABLE OPENING. COIL WIRE IN VAULT BELOW. FURNISHED AND INSTALLED BY CONTRACTOR/ DEVELOPER



FILENAME: CU1600-20 REV13

CITY OF ANAHEIM
PUBLIC UTILITIES DEPARTMENT
ELECTRICAL DIVISION
T&D CONSTRUCTION STANDARDS

APPROVALS				
PREP BY	T&D MGR	SYS PLN MGR	OPS MGR	SUB MAINT
MH	EB	---	DA	---

REVISION KEYS:



ADDED / REVISED TEXT



ADDED / REVISED MATERIAL

NEW SHEET

NEW SHEET

TRANSFORMER PAD WITH CABLE BOX FOR 12KV 3 PHASE PADMOUNT TRANSFORMERS

REVISION NO. 13

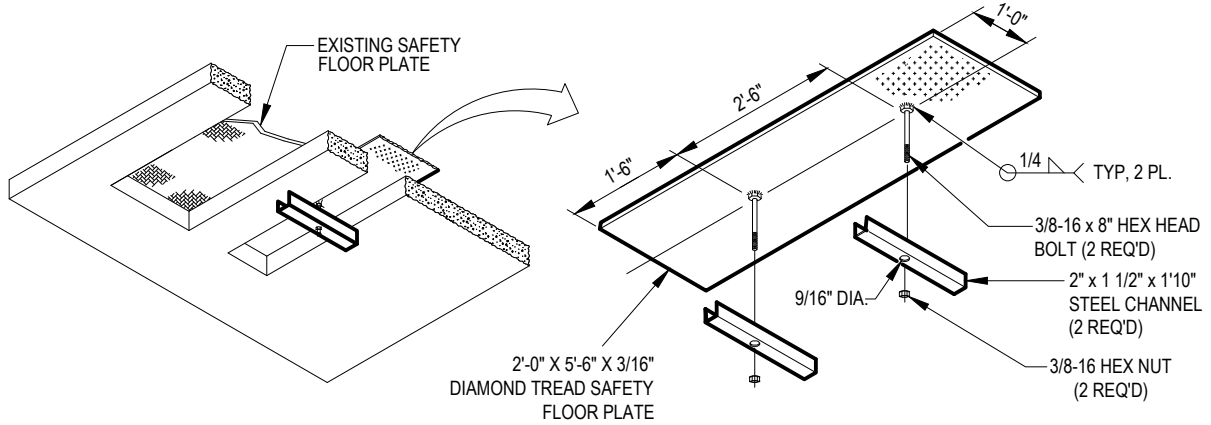
ISSUE DATE: 01-16

SHEET 4 OF 5

CONSTRUCTION STANDARD:

CU 1600-20

SAFETY COVER FOR PMC & PMT SLAB TOP COVER OPENINGS WHEN NOT IN SERVICE



**TYPICAL INSTALLATION VIEW SEEN FROM BELOW
NOT TO SCALE**

NOTES:

- A. CONCRETE COMPRESSIVE STRENGTH SHALL BE 4500 PSI IN 28 DAYS.
- B. THE STRUCTURE SHALL MEET THE APPLICABLE REQUIREMENTS OF THE LATEST REVISED EDITIONS OF THE FOLLOWING STANDARDS: ACI-318-89 BUILDING CODE, ASTM C-857 MINIMUM STRUCTURAL DESIGN LOADING FOR UNDERGROUND PRECAST CONCRETE UTILITY STRUCTURES, AND AASHTO STANDARD SPECIFICATION FOR HIGHWAY BRIDGES.
- C. EXCAVATION PER CU 1600-4B, MINIMUM SIZE PER MANUFACTURER'S SUGGESTED EXCAVATION SIZE.
- D. CONTRACTOR/DEVELOPER SHALL LOCATE AND INSTALL TRANSFORMER PAD AND VAULT IN ACCORDANCE WITH ELECTRICAL ENGINEERING WORK ORDER DRAWINGS. TRANSFORMER PAD MUST BE LEVEL.
- E. ALL OPENINGS IN VAULT FOR CONDUITS AND GROUND WIRE SHALL BE GROUTED TO PREVENT WATER INTRUSION.
- F. CONTRACTOR/DEVELOPER INSTALLED FACILITIES SHALL BE INSPECTED BY UTILITY ELECTRICAL INSPECTOR TO ENSURE COMPLIANCE TO THIS STANDARD AND WORK ORDER DRAWING.
- G. REQUIRED MINIMUM CLEARANCE (PUBLIC UTILITY EASEMENT) OF 36" FOR 6' x 8' PAD OR 60" FOR 8' x 10' AND 10' x 12' PADS ALONG THREE SIDES AND MINIMUM OF 10' REQUIRED ALONG FRONT OF EACH PAD.
- H. PROTECTIVE POSTS PER CU 1600-9, AND AS SHOWN ON ELECTRICAL ENGINEERING WORK ORDER DRAWING SHALL BE FURNISHED AND INSTALLED BY DEVELOPER/ CONTRACTOR.
- J. UTILITY MAY UPGRADE TO 300kVA ON EXISTING 6' x 8' TRANSFORMER PAD. THIS WILL REQUIRE SEALING THE BOTTOM OPENING OF THE PRIMARY COMPARTMENT WHERE IT OVERHANGS THE PAD SIDE FOR SAFETY AND COMPLIANCE WITH G.O. 128.
- K. REPLACEMENT PADS FOR MAINTENANCE:
6' x 8' PAD USE CITY P/N 486075
8' x 10' PAD USE CITY P/N 486080
- L. REPLACEMENT ACCESS COVER, USE CITY P/N 486280.
- M. FOR LARGER TRANSFORMER 3750 KVA, SPECIAL ORDER 10' x 12' PAD.

FILENAME: CU1600-20 REV13

CITY OF ANAHEIM PUBLIC UTILITIES DEPARTMENT ELECTRICAL DIVISION T&D CONSTRUCTION STANDARDS		REVISION KEYS:	ADDED / REVISED TEXT	ADDED / REVISED MATERIAL	NEW SHEET	NEW SHEET
		TRANSFORMER PAD WITH CABLE BOX FOR 12KV 3 PHASE PADMOUNT TRANSFORMERS				REVISION NO. 13
APPROVALS PREP BY T&D MGR SYS PLN MGR OPS MGR SUB MAINT				SHEET 5 OF 5		CONSTRUCTION STANDARD: CU 1600-20
MH EB --- DTA ---						