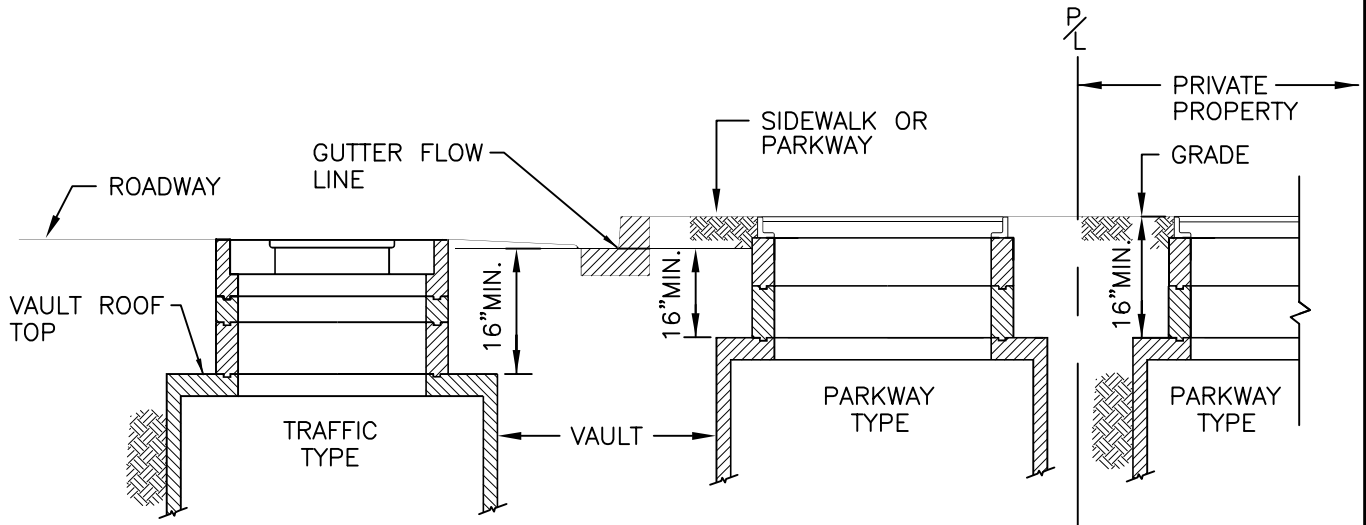
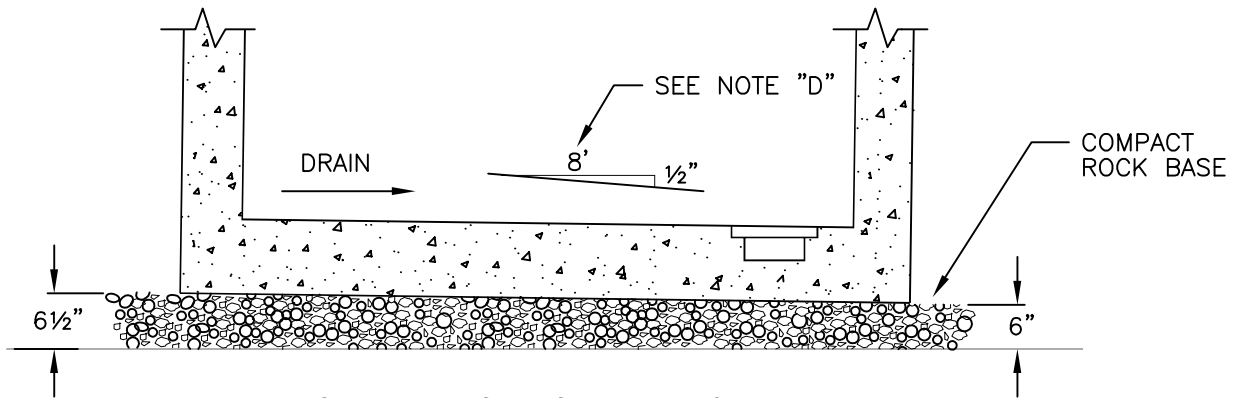


SCOPE: THIS STANDARD SHOWS DETAILS FOR SETTING THE TOP AND COVER OF VAULTS.



TYPICAL SETTING COVER DEPTHS

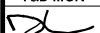
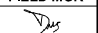


TYPICAL BASE SETTING DETAIL

NOTES:

- A. MINIMUM SETTING COVER DEPTHS FOR VAULTS INSTALLED IN ROADWAY OR SIDEWALK/PARKWAY LOCATIONS IS 16". THIS DIMENSION IS TAKEN FROM THE **GUTTER FLOW LINE** TO THE OUTSIDE TOP OF THE VAULT ROOF. VAULTS PLACED IN PRIVATE PROPERTY SHALL HAVE A MINIMUM SETTING DEPTH OF 16" FROM **GRADE** TO THE OUTSIDE TOP OF THE VAULT ROOF.
- B. **MAXIMUM** SETTING COVER DEPTH IS 48", MEASURED FROM **GRADE** TO TOP OUTSIDE SURFACE OF VAULT ROOF. IF VAULT COVER DEPTHS OVER 48" ARE REQUIRED, CONTACT THE ELECTRICAL ENGINEERING DIVISION.
- C. THE MINIMUM/MAXIMUM SETTING COVER DEPTHS ARE TO ELECTRICAL ENGINEERING DIVISION REQUIREMENTS. GOVERNING AGENCY MAY REQUIRE GREATER COVER DEPTHS THAN STATED.
- D. **SLOPE VAULT FLOORS 1/2" IN 8' WIDTH TOWARD SUMP SIDE OF VAULT. SET VAULT LEVEL END TO END. (LENGTHWISE).**
- E. SEE CU 1600-4B FOR EXCAVATION FOR SUBSTRUCTURES DETAILS.

FILENAME: CU1600-4D REV1

CITY OF ANAHEIM PUBLIC UTILITIES DEPARTMENT ELECTRICAL DIVISION T&D CONSTRUCTION STANDARDS	REVISION KEYS: ADDED / REVISED TEXT	 ADDED / REVISED MATERIAL	NEW SHEET
	TYPICAL VAULT COVER AND BASE SETTING DETAILS		REVISION NO. 1 ISSUE DATE: 01-08 SHEET 1 OF 1 CONSTRUCTION STANDARD: CU 1600-4D
APPROVALS			
T&D MGR 	FIELD MGR 	OPER. MGR 