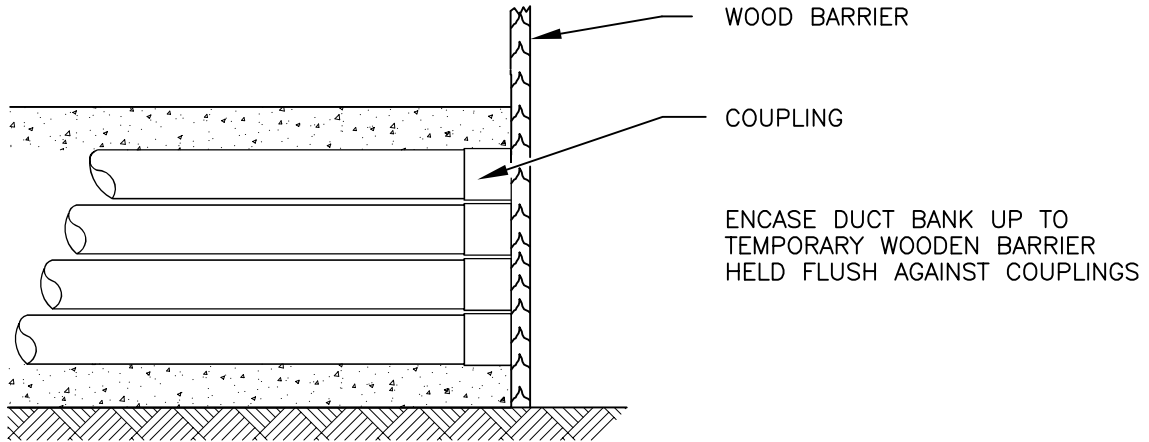
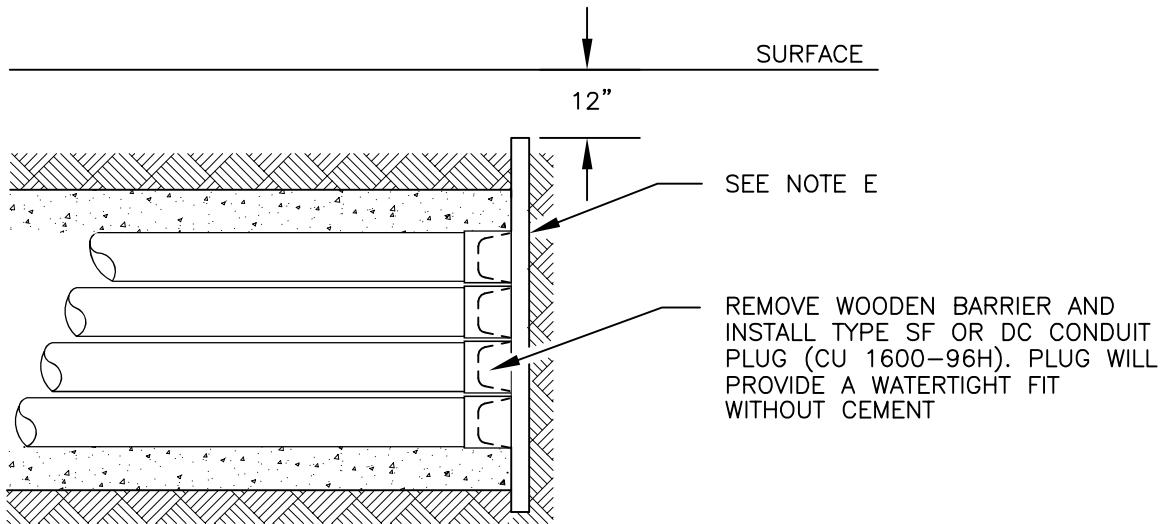


SCOPE: THIS STANDARD SHOWS UNDERGROUND UNDERGROUND CAPPING MAIN LINE CONDUIT.



TYPICAL CONDUIT BANK (DURING ENCASEMENT)



COMPLETED CONDUIT BANK AFTER ENCASEMENT AND BACKFILL

NOTES:

- A. WHEN CAPPING UNENCASED CONDUIT (TWO MAXIMUM), INSTALL CONDUIT PLUG IN COUPLING SAME AS SHOWN ABOVE (DO NOT STAGGER).
- B. SEE CU 1600-96D FOR CONDUIT SPACING AND CONCRETE ENCASEMENT.
- C. CONDUIT PLUGS: SEE CU 1600-96H, TYPE 1, 2, AND 3, ARE NOT RECOMMENDED FOR THIS APPLICATION.
- D. WHERE A CONDUIT IS STUBBED OUT TO CURB OR PROPERTY LINE TO BE PICKED UP LATER, IT MUST TERMINATE ON A LEVEL COURSE AT A MINIMUM DEPTH OF 48" FROM FLOW LINE OF GUTTER UNLESS SPECIFIED OTHERWISE.
- E. STUBBED CONDUIT TO HAVE LOCATION MARKED AT TIME OF INSTALLATION BY ONE OF THE FOLLOWING METHODS. CURB TO BE MARKED BY CHISELING AN "E" ON CURB FACE OR 2" x 4" BOARD OR PULL ROPE INSTALLED AT CAPPED CONDUIT AND EXTENDED TO 12" BELOW THE SURFACE.

RENUMBERED FROM CU 1600-95G, DTD. 12-88

FILENAME: CU1600-96G REV2

| | | | | |
|--|--|----------------------|--------------------------|-----------|
| CITY OF ANAHEIM PUBLIC UTILITIES DEPARTMENT ELECTRICAL DIVISION T&D CONSTRUCTION STANDARDS | REVISION KEYS: | ADDED / REVISED TEXT | ADDED / REVISED MATERIAL | NEW SHEET |
| | UNDERGROUND CAPPING MAIN LINE CONDUIT | | | |
| APPROVALS | | | | |
| T&D MGR | FIELD MGR | OPER. MGR | | |
| | | | | |