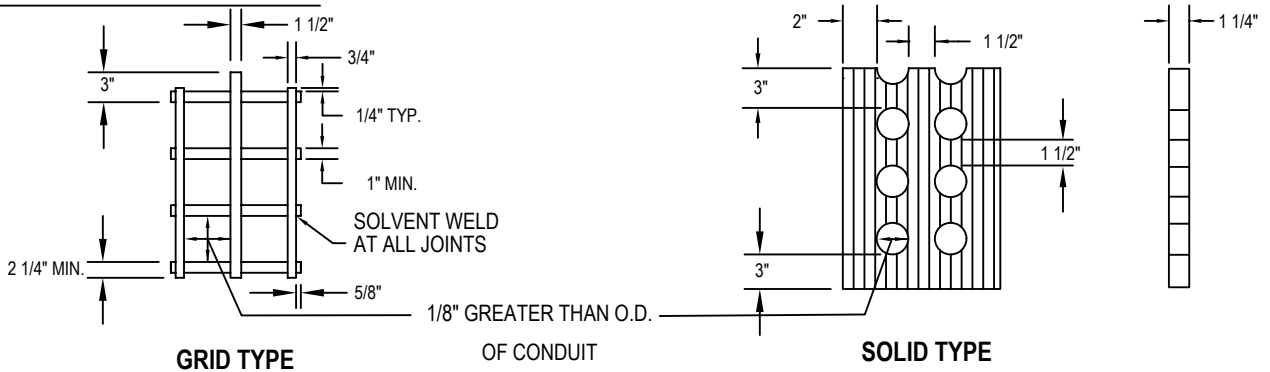


SCOPE: THIS STANDARD SHOWS UNDERGROUND CONDUIT SPACERS.

**DUCT BANK APPLICATION**

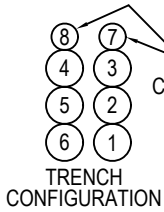


**NOTES:**

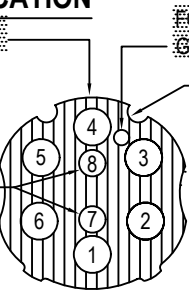
- MATERIAL
  - GRID-TYPE SPACER TO BE FABRICATED OF PLASTIC CONDUIT WITH A MINIMUM WALL THICKNESS OF .09 INCH.
  - SOLID-TYPE SPACER TO BE FORMED OF POLYURETHANE WITH A MINIMUM DENSITY OF 4 POUNDS PER FOOT.
- TIERS MAY BE ADDED OR DELETED AS REQUIRED. CLEARANCE AS SHOWN SHALL BE MAINTAINED BETWEEN CONDUITS.
- FOR FULL ENCASEMENT A 3" MIN. CLEARANCE BETWEEN THE TRENCH BOTTOM AND THE LOWER TIER OF DUCTS SHALL BE MAINTAINED (CU 1600-4). TO MEET THIS REQUIREMENT, THE GRID-TYPE SPACER MUST BE SET UPON A BASE OF SUCH THICKNESS TO PROVIDE 3" OF CLEARANCE.
- THE APPROVED MANUFACTURERS AND SUPPLIERS OF THE ABOVE SPACERS ARE: **FORMEX, ARMORCAST, AND SAF-T-CO.**

**BORE CASING APPLICATION**

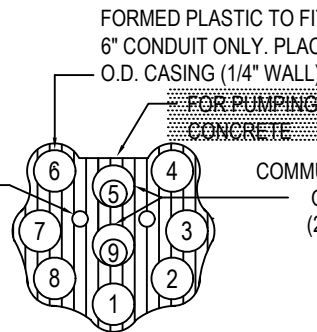
FORMED PLASTIC TO FIT UP TO 6" CONDUIT ONLY. PLACE IN 28" O.D. CASING (1/4" WALL)



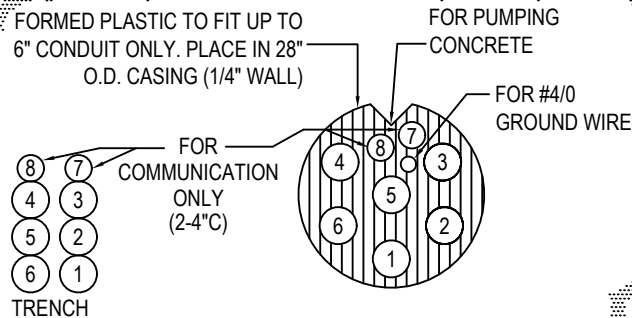
**CIRCULAR SPACER "A"**



**CIRCULAR SPACER "B"**



**CIRCULAR SPACER "C"**



FILENAME: CU1600-96F REV4

**CITY OF ANAHEIM**  
PUBLIC UTILITIES DEPARTMENT  
ELECTRICAL DIVISION  
T&D CONSTRUCTION STANDARDS

REVISION KEYS:

ADDED / REVISED TEXT

ADDED / REVISED MATERIAL

NEW SHEET

**UNDERGROUND CONDUIT SPACERS**

REVISION NO. **4**  
ISSUE DATE: **01-11**  
SHEET **1** OF **2**  
CONSTRUCTION STANDARD:  
**CU 1600-96F**

APPROVALS

T&D MGR	FIELD MGR	OPER. MGR

**NOTES FOR BORE CASING APPLICATION:**

1. SPACERS "A" OR "C" MAY BE USED IN BORE CASING WHEN A 6-6" PLUS 2-4" DUCT CONDUIT BANK IS PLANNED. SPACER "B" MAY BE USED IN BORE CASING WHEN AN 8- OR 9-DUCT CONDUIT BANK IS PLANNED. ALL CLEARANCES ARE DESIGNED INTO THE UNITS.
2. USE THE ABOVE GUIDE FOR CHANGING FROM VERTICAL TO CIRCULAR CONFIGURATION. NORMALLY, 10 FOOT CONDUIT LENGTHS ARE USED IN THIS TRANSITION. SUPPORT OF THESE CONDUITS DURING TRANSITION WILL NOT BE NEEDED.
3. THE SPACERS MUST NOT BE ALLOWED TO ROTATE IN THE CASING.
4. CONDUIT (SCH. 40-PVC) SHALL MAINTAIN THE SAME POSITION ENTERING AND LEAVING THE CASING.
5. OTHER BORING REQUIREMENTS ARE SHOWN ON CU 1600-96E.
6. THE APPROVED MANUFACTURES AND SUPPLIERS OF THE ABOVE SPACERS ARE: **FORMEX, ARMORCAST, AND SAFT-CO.**
7. DIFFERENT CONDUIT CONFIGURATION MAY BE USED BASED ON JOB REQUIREMENTS. PROVIDE A COPY OF SPACER DRAWING FOR INSPECTOR/DESIGNER APPROVAL IF DIFFERENT FROM SPACERS A, B, AND C.

FILENAME: CU1600-96F REV4

<p><b>CITY OF ANAHEIM</b> PUBLIC UTILITIES DEPARTMENT ELECTRICAL DIVISION T&amp;D CONSTRUCTION STANDARDS</p>			REVISION KEYS:			ADDED / REVISED TEXT		ADDED / REVISED MATERIAL		NEW SHEET
			<p><b>UNDERGROUND CONDUIT SPACERS</b></p>							REVISION NO. <b>4</b>
APPROVALS										
T&D MGR	FIELD MGR	OPER. MGR								