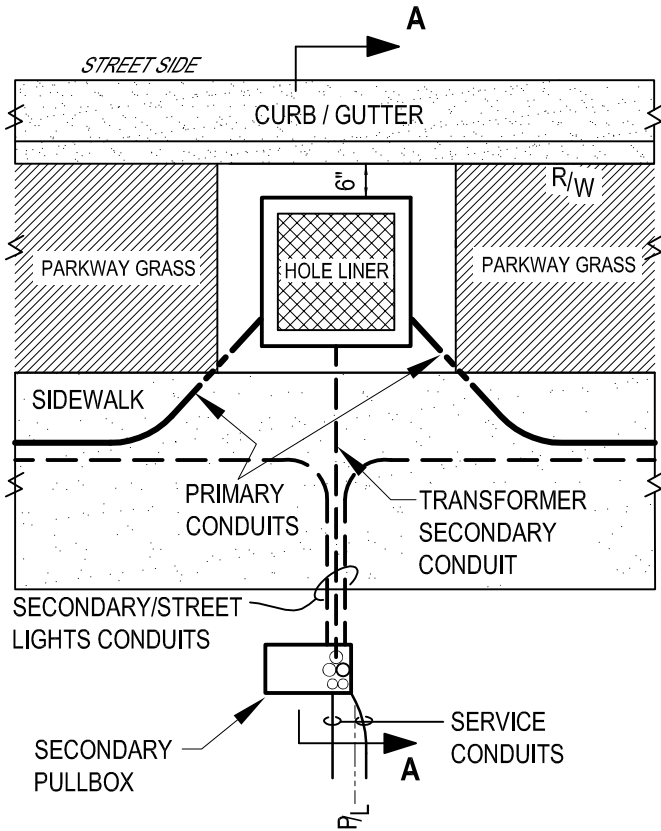
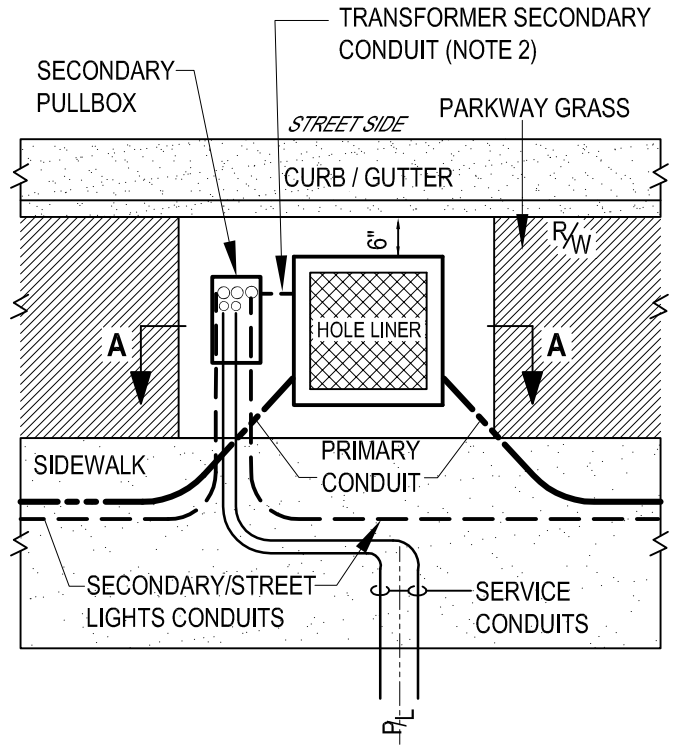


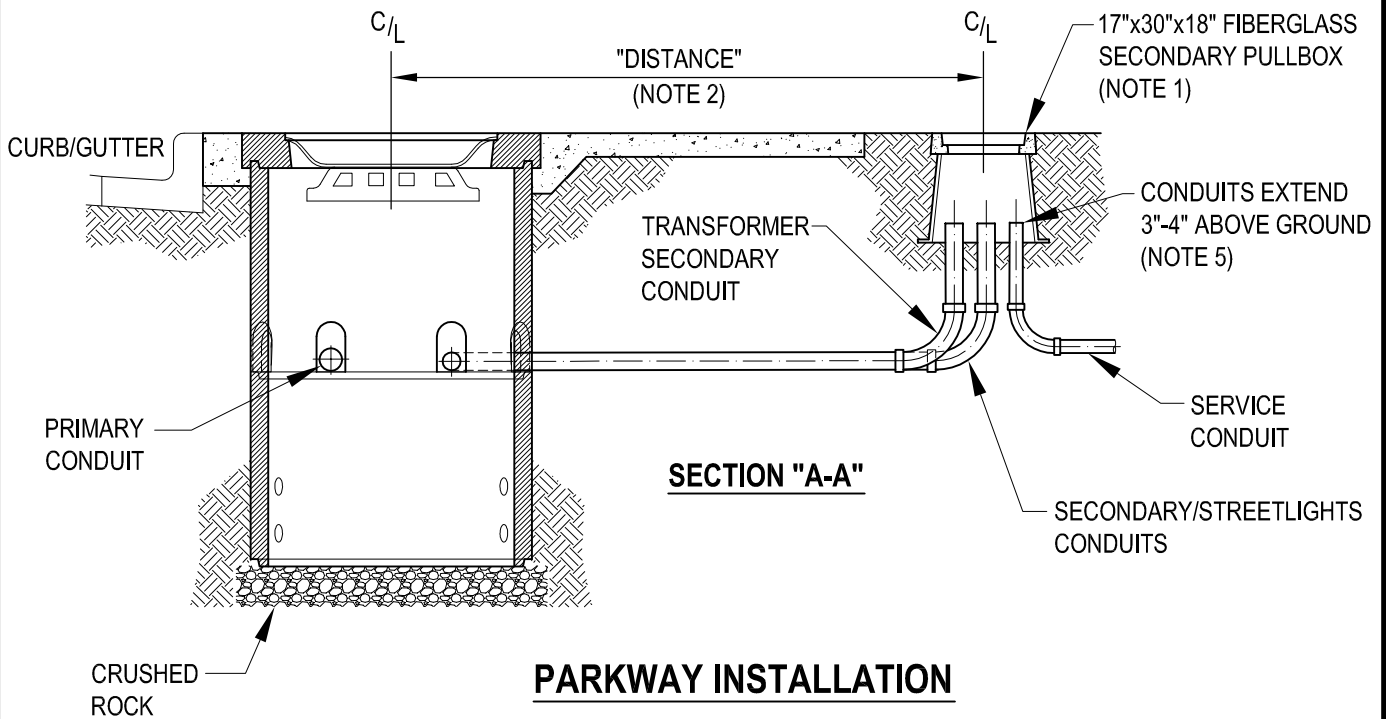
SCOPE: THIS STANDARD SHOWS DETAIL LOCATION AND VARIATION OF HOLELINER AND PULLBOX INSTALLATION FOR URD TRANSFORMERS.



PLAN VIEW "A"



PLAN VIEW "B"



SECTION "A-A"

PARKWAY INSTALLATION

FILENAME: CU1500-3 REV6

CITY OF ANAHEIM
PUBLIC UTILITIES DEPARTMENT
ELECTRICAL DIVISION
T&D CONSTRUCTION STANDARDS

REVISION KEYS:



ADDED / REVISED TEXT



ADDED / REVISED MATERIAL

NEW SHEET

**URD TRANSFORMER
HOLE LINER AND SECONDARY SERVICE
PULL BOX LOCATIONS**

REVISION NO. **6**

ISSUE DATE: **01-08**

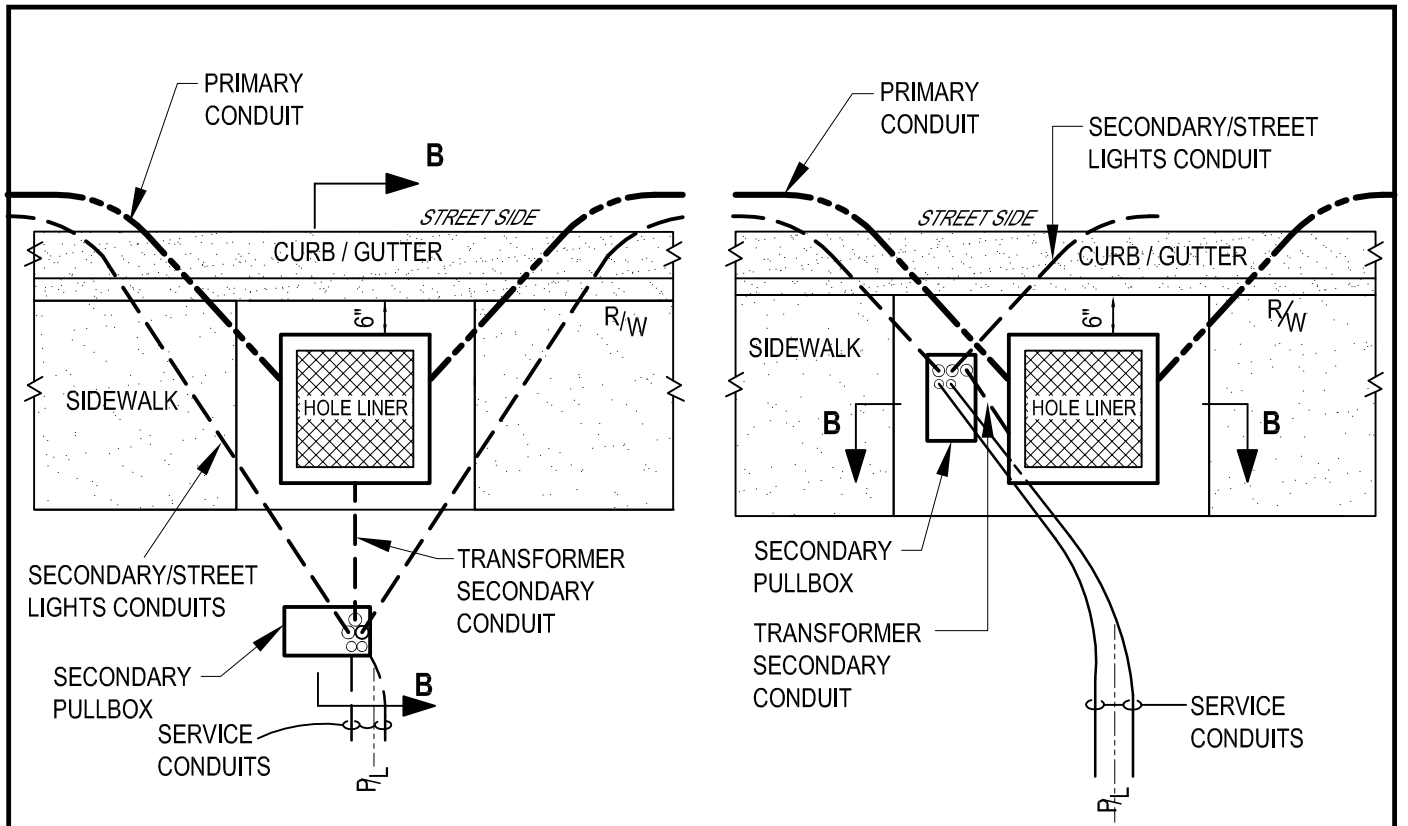
SHEET **1** OF **4**

CONSTRUCTION STANDARD:

CU 1500-3

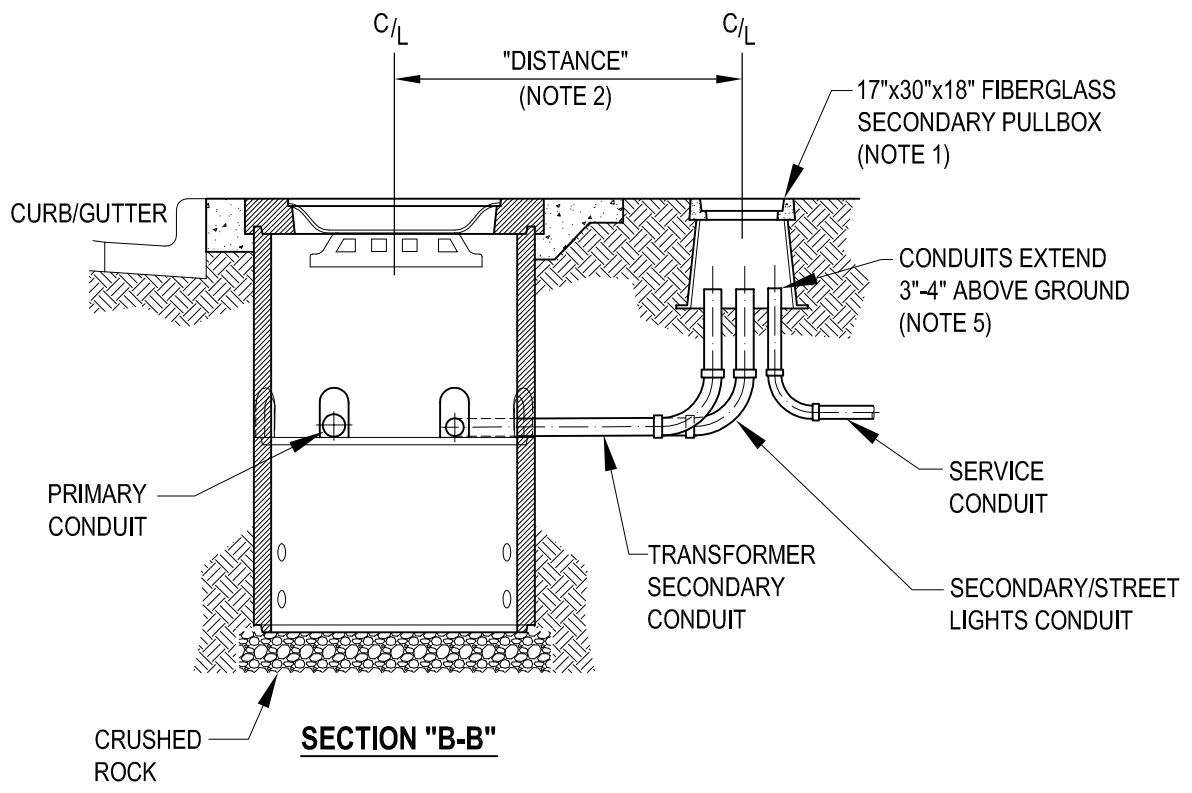
APPROVALS

T&D MGR	FIELD MGR	OPER. MGR



PLAN VIEW "C"

PLAN VIEW "D"



SECTION "B-B"

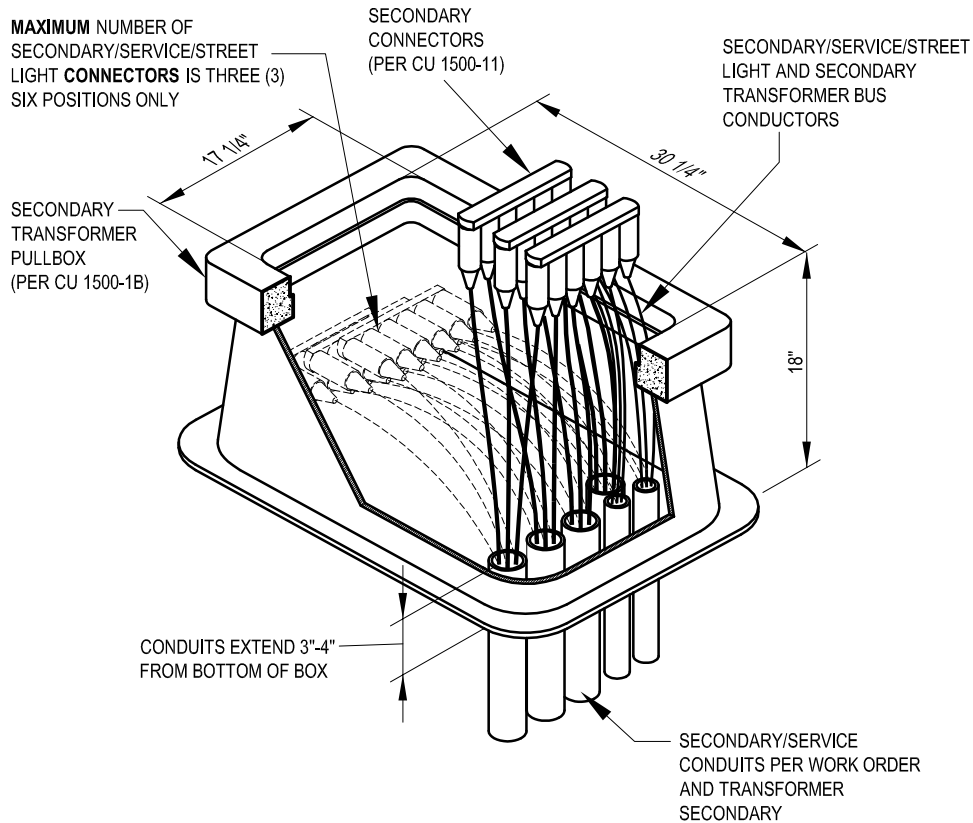
SIDEWALK INSTALLATION

FILENAME: CU1500-3 REV6

CITY OF ANAHEIM PUBLIC UTILITIES DEPARTMENT ELECTRICAL DIVISION T&D CONSTRUCTION STANDARDS		
APPROVALS T&D MGR FIELD MGR OPER. MGR		

REVISION KEYS: ADDED / REVISED TEXT ADDED / REVISED MATERIAL	URD TRANSFORMER HOLE LINER AND SECONDARY SERVICE PULL BOX LOCATIONS
--	--

NEW SHEET	6
REVISION NO.	6
ISSUE DATE :	01-08
SHEET	2 OF 4
CONSTRUCTION STANDARD:	CU 1500-3



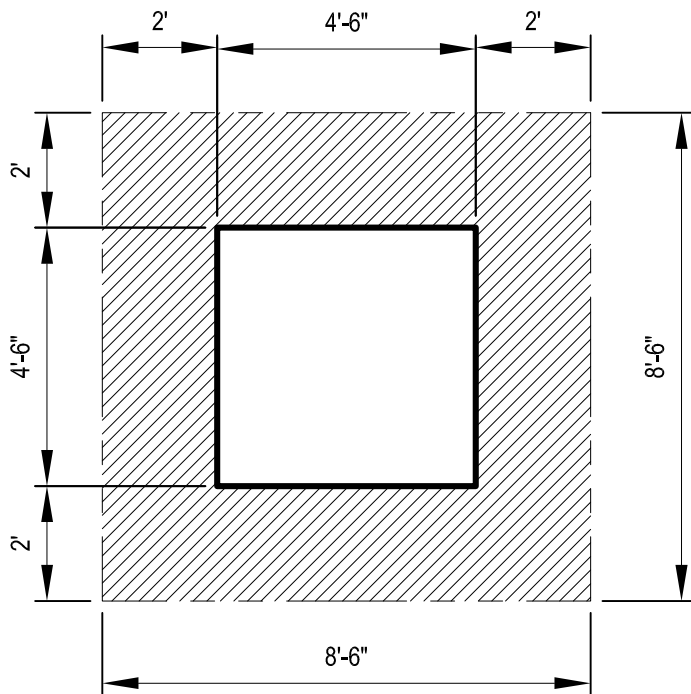
NOTES:

1. ALL SECONDARY/SERVICE PULLBOXES SHALL BE 17"x30"x18" FIBERGLASS REINFORCED CONCRETE PULLBOX WITH POLYMER CONCRETE COVER, ALL PER CONSTRUCTION STANDARD CU 1500-1B.
2. USE CORFLOW CONDUIT ONLY IF THE DISTANCE FROM CENTER LINE OF HOLELINER TO CENTERLINE OF PULLBOX IS 4 FEET OR LESS.
3. A MINIMUM OF 12" SEPARATION IS REQUIRED BETWEEN PRIMARY AND SECONDARY CONDUITS.
4. EXTEND SECONDARY AND SERVICE CONDUIT 3"-4" ABOVE THE BOTTOM OF THE PULL BOX, INSTALL CONDUIT COLLAR.
5. ALL CONDUIT SHOULD BE INSTALLED IN ONE END OF THE BOX. NO CONDUIT SHOULD BE IN THE MIDDLE OF THE BOX.
6. TRANSFORMER CONDUITS MINIMUM SIZE REQUIREMENTS:
 PRIMARY= 4" PVC
 SECONDARY= 2 1/2" - 3" PVC
 SERVICE= 2" PVC
7. ALL CONDUITS AND CORFLO TO BE GROUTED WHEN ENTERING HOLELINER.
8. ALL HOLELINERS AND PULL BOXES TO BE AT FINISH GRADE OR FLUSH WITH SIDEWALK / PARKWAY UPON COMPLETION.

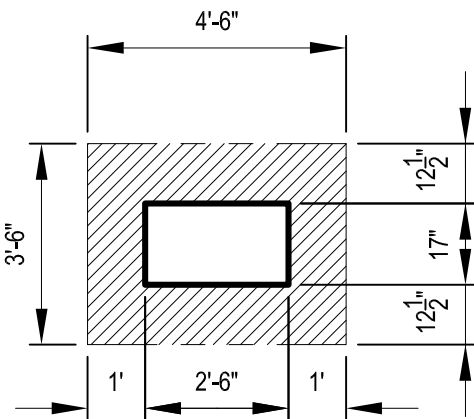
FILENAME: CU1500-3 REV6

<p>CITY OF ANAHEIM PUBLIC UTILITIES DEPARTMENT ELECTRICAL DIVISION T&D CONSTRUCTION STANDARDS</p>	REVISION KEYS:	ADDED / REVISED TEXT	ADDED / REVISED MATERIAL	NEW SHEET
	<p>URD TRANSFORMER HOLE LINER AND SECONDARY SERVICE PULL BOX LOCATIONS</p>	<p>REVISION NO. 6 ISSUE DATE : 01-08 SHEET 3 OF 4 CONSTRUCTION STANDARD: CU 1500-3</p>		
APPROVALS				
T&D MGR	FIELD MGR	OPER. MGR		

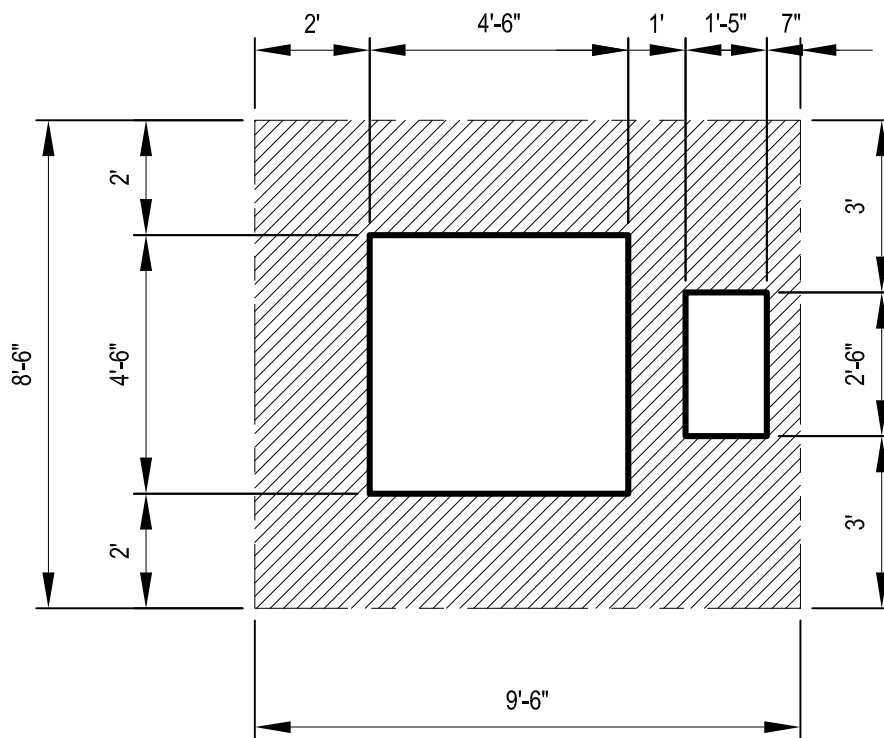
FILENAME: CU1500-3 REV6



HOLE LINER EASEMENT



17" x 30" PULLBOX EASEMENT



HOLE LINER AND PULL BOX EASEMENT

EASEMENT VARIATIONS

CITY OF ANAHEIM
PUBLIC UTILITIES DEPARTMENT
ELECTRICAL DIVISION
T&D CONSTRUCTION STANDARDS

REVISION KEYS:



ADDED / REVISED TEXT



ADDED / REVISED MATERIAL

NEW SHEET

**URD TRANSFORMER
HOLE LINER AND SECONDARY SERVICE
PULL BOX LOCATIONS**

REVISION NO. **6**
ISSUE DATE : **01-08**
SHEET **4** OF **4**
CONSTRUCTION STANDARD:

CU 1500-3

APPROVALS

T&D MGR	FIELD MGR	OPER. MGR