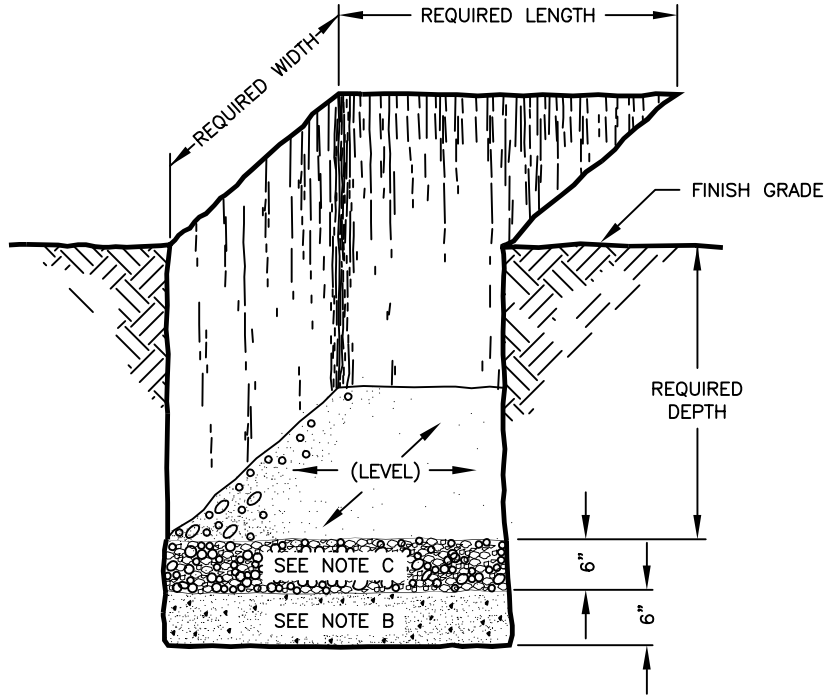
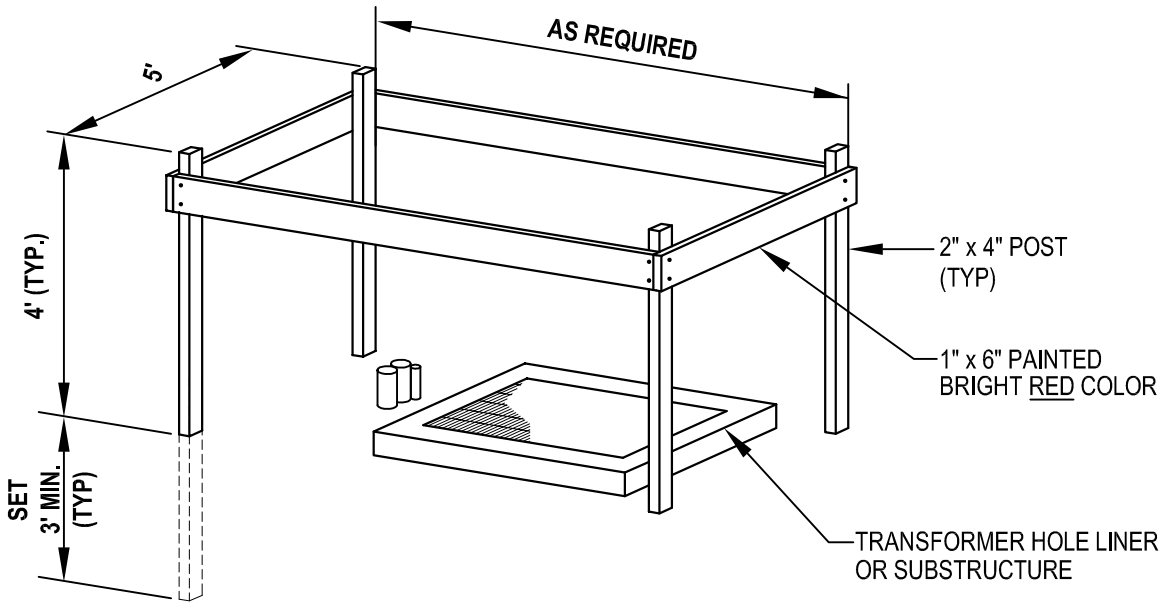


SCOPE: THIS STANDARD SHOWS REQUIREMENTS AND DETAILS FOR INSTALLATION OF URD TRANSFORMER'S HOLE LINER.



EXCAVATION LAYOUT



TEMPORARY BARRICADE DETAILS

FILENAME: CU1500-3B REV3

COMPLETELY MODIFIED

CITY OF ANAHEIM
PUBLIC UTILITIES DEPARTMENT
ELECTRICAL DIVISION
T&D CONSTRUCTION STANDARDS

REVISION KEYS:



ADDED / REVISED TEXT



ADDED / REVISED MATERIAL

● NEW SHEET

**URD TRANSFORMER
HOLE LINER INSTALLATION**

REVISION NO. **3**
ISSUE DATE: **01-08**
SHEET **1** OF **3**
CONSTRUCTION STANDARD:

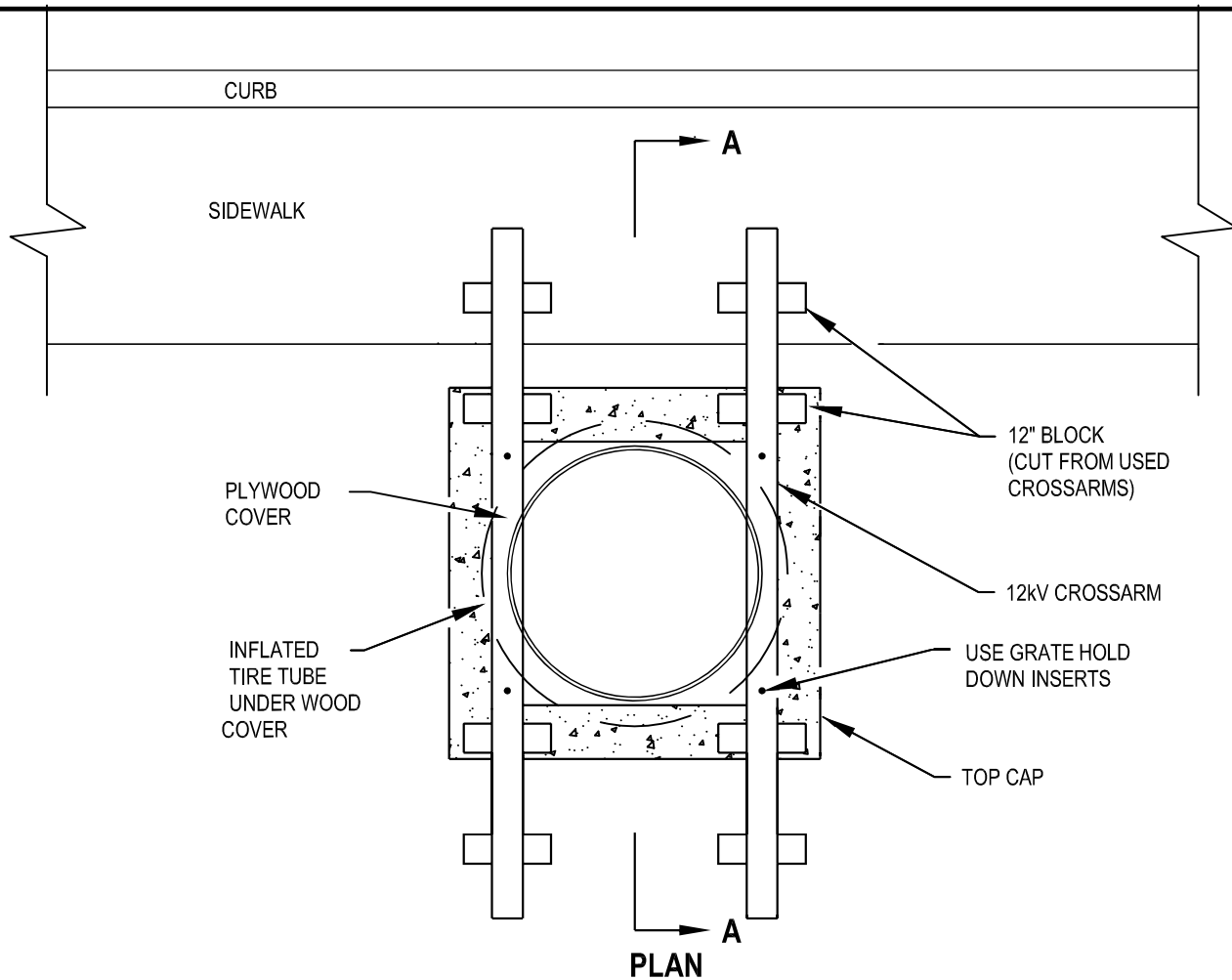
CU 1500-3B

APPROVALS

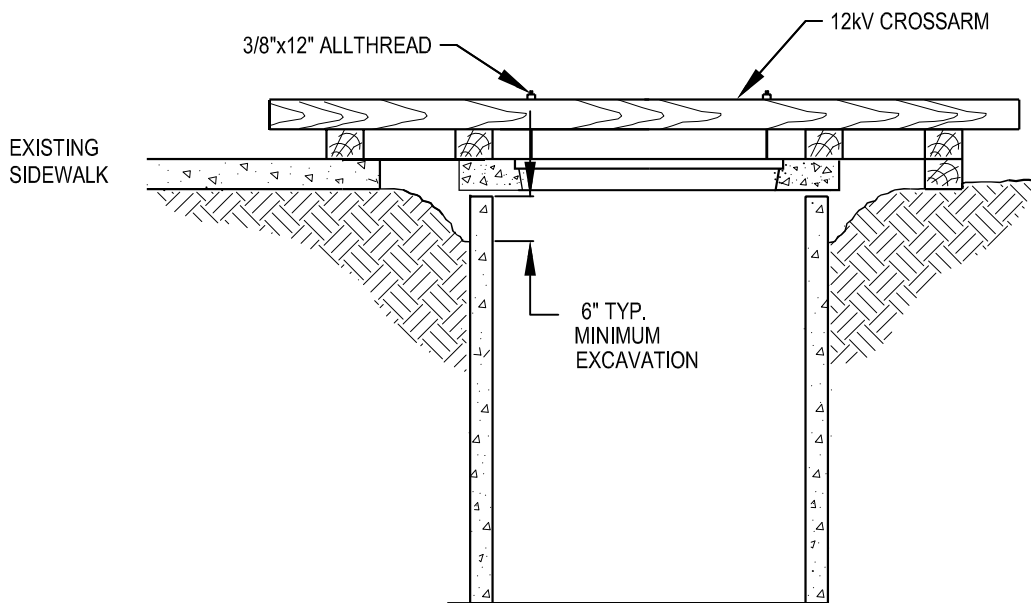
T&D MGR FIELD MGR OPER. MGR

[Signatures]

FILENAME: CU1500-3B REV3



PLAN



SECTION A-A

**SUGGESTED METHOD FOR LEVELLING HOLE
LINER LID IN PARKWAY INSTALLATION**

CITY OF ANAHEIM PUBLIC UTILITIES DEPARTMENT ELECTRICAL DIVISION T&D CONSTRUCTION STANDARDS		
APPROVALS		
T&D MGR	FIELD MGR	OPER. MGR

REVISION KEYS:	ADDED / REVISED TEXT	ADDED / REVISED MATERIAL
----------------	----------------------	--------------------------

**URD TRANSFORMER
HOLE LINER INSTALLATION**

NEW SHEET	
REVISION NO.	3
ISSUE DATE :	01-08
SHEET	2 OF 3
CONSTRUCTION STANDARD:	CU 1500-3B

NOTES:

1. CRUSHED ROCKS USED UNDER TRANSFORMER BOTTOM OF HOLE LINER SHALL BE 3/4" CLEAN CRUSHED ROCK FOR DRAINAGE.
2. CABLE OR CONDUIT WHICH IS "STUBBED OUT" ADJACENT TO A SUB-STRUCTURE MUST BE INCLUDED WITHIN THE CONFINES OF THE PROTECTIVE BARRICADE.
3. BARRICADE TO BE INSTALLED AND REMOVED BY THE CONTRACTOR.
4. TWO 5/8"- 8' GROUND RODS SHALL BE INSTALLED PROTRUDING 5' ABOVE CRUSHED ROCKS. SEE DETAIL "A" IN CONSTRUCTION STANDARD CU 1500-12.
5. CARE SHOULD BE TAKEN TO KEEP EXCESS CONCRETE FROM ENTERING THE HOLELINER WHEN POURING THE APRON. IF THERE IS NO APRON, GROUT THE AREA BETWEEN HOLELINER AND TOP CAP.
6. THE TEMPORAREY BARRICADE IS FOR JOB SAFETY.

FILENAME: CU1500-3B REV3

<p>CITY OF ANAHEIM PUBLIC UTILITIES DEPARTMENT ELECTRICAL DIVISION T&D CONSTRUCTION STANDARDS</p>			REVISION KEYS:	ADDED / REVISED TEXT	ADDED / REVISED MATERIAL	NEW SHEET
<p>URD TRANSFORMER HOLE LINER INSTALLATION</p>			REVISION NO. 3 ISSUE DATE : 01-08 SHEET 3 OF 3 CONSTRUCTION STANDARD: <p style="font-size: large; font-weight: bold; text-align: center;">CU 1500-3B</p>			
APPROVALS						
T&D MGR	FIELD MGR	OPER. MGR				