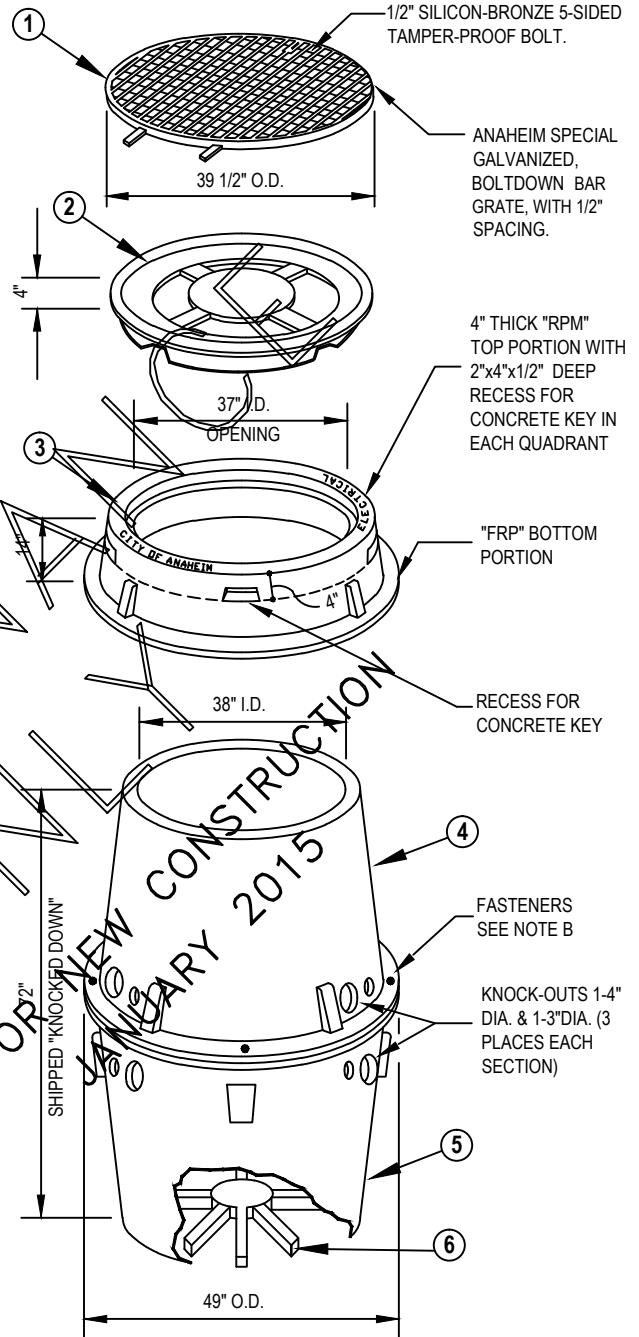


SCOPE: THIS STANDARD SHOWS PLASTIC TRANSFORMER HOLELINER MATERIAL PARTS DETAIL AND INSTALLATION REQUIREMENT.

ITEM NO.	ANAHEIM PART NO.	COMPATIBLE UNIT	ARMORCAST CAT. NO.	DESCRIPTION
1	482010	HLPLA-GRATE	6001485ANA (SEE NOTE A)	GRATE
2	482055	-	6001884	TAMPER VENT
3	480050	-	6001466ANA (SEE NOTE A)	ADJUSTABLE TOP CAP
4	482065	-	6001468	TOP SECTION
5	482060	-	6001468	BOTTOM SECTION
6	482070	HLPLAS-SUPT	6001885	TRANSFORMER SUPPORT INSERT
7	-	HLPLAS	6001468A	HOLELINER COMPLETE ASSEMBLY



NOTE:

- A. FOR INSTALLATION IN NON-TRAFFIC AREAS ONLY.
- B. ANY CHANGES IN STREET ALIGNMENT WOULD REQUIRE REPLACEMENT WITH CONCRETE HOLELINER.

FILENAME: CU1500-9B REV5

**CITY OF ANAHEIM**  
PUBLIC UTILITIES DEPARTMENT  
ELECTRICAL DIVISION  
T&D CONSTRUCTION STANDARDS

REVISION KEYS:

ADDED / REVISED TEXT

ADDED / REVISED MATERIAL

NEW SHEET

NEW SHEET

**URD TRANSFORMER  
PLASTIC HOLE LINER**

REVISION NO. 5

ISSUE DATE: 01-15

SHEET 1 OF 2

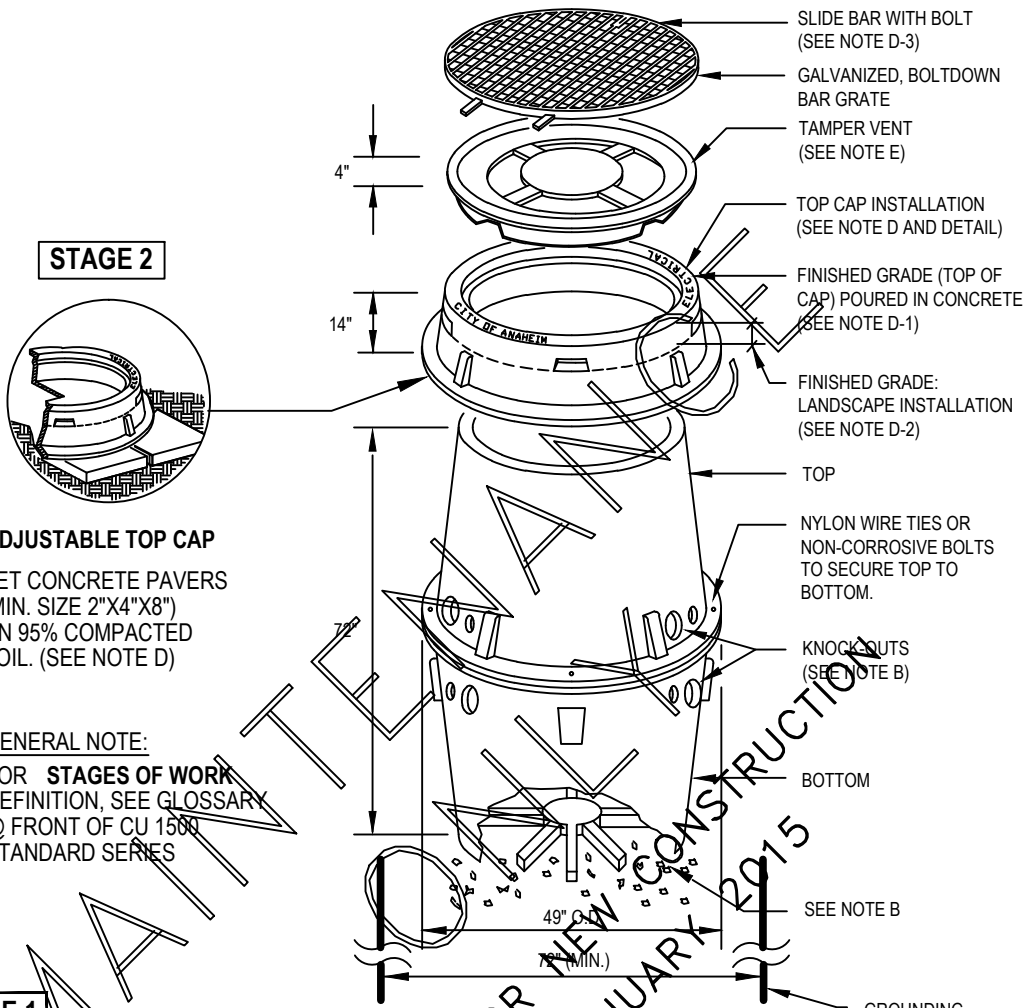
CONSTRUCTION STANDARD:

**CU 1500-9B**

APPROVALS

PREP BY	T&D MGR	SYS PLAN MGR	OPS MGR	SUB MAINT
MH	FB	N/A	CMK	N/A

FILENAME: CU1500-9B REV5



**STAGE 2**

**ADJUSTABLE TOP CAP**  
 SET CONCRETE PAVERS (MIN. SIZE 2"X4"X8") ON 95% COMPACTED SOIL. (SEE NOTE D)

**GENERAL NOTE:**  
 FOR STAGES OF WORK DEFINITION, SEE GLOSSARY @ FRONT OF CU 1500 STANDARD SERIES

**NOTES:**

**STAGE 1**

- A. MINIMUM EXCAVATION SIZE: 55" SQUARE X 82" DEEP (88" DEEP MAXIMUM) PER CU 1500-3B.
- B. 3/4 INCH CLEAN CRUSHED ROCK.
- C. KNOCKOUTS SHALL BE POSITIONED TO ALIGN WITH PRIMARY AND SECONDARY CONDUCTORS AS SHOWN ON WORKING DRAWINGS.
- D. GROUNDING PER CU 1500-12.

**STAGE 2**

- D. TOP CAP INSTALLATION:
1. SET TOP CAP TO FINISHED SIDEWALK, TOP OF CURB OR OTHER ESTABLISHED GRADE THEN POUR A 12" MINIMUM WIDE CONCRETE APRON AROUND TOP CAP PER CU 1500-3.
  2. LANDSCAPE AREA: SET TOP CAP SO TOP IS 3" TO 6" ABOVE FINAL GROUND LEVEL. SLOPE FINAL GROUND LEVEL AWAY FROM TOP CAP.
  3. TOP CAP SHALL BE INSTALLED SO BOLT DOWN FACES STREET OR WALKWAY.

**STAGE 3**

- E. TRANSFORMER IDENTIFICATION PER CO 114-6 AND WORK ORDER DRAWINGS.

**CITY OF ANAHEIM**  
 PUBLIC UTILITIES DEPARTMENT  
 ELECTRICAL DIVISION  
 T&D CONSTRUCTION STANDARDS

REVISION KEYS:

~ ADDED / REVISED TEXT

➔ ADDED / REVISED MATERIAL

NEW SHEET

NEW SHEET

**URD TRANSFORMER  
 PLASTIC HOLE LINER**

REVISION NO. 5

ISSUE DATE: 01-15

SHEET 2 OF 2

CONSTRUCTION STANDARD:

**CU 1500-9B**

APPROVALS

PREP BY	T&D MGR	SYSP LN	OPS MGR	SUB MAINT
MH	FB	N/A	cmk	N/A