

SCOPE: THIS STANDARD SHOWS APPROVED METHOD OF INSTALLING VENTILATION FOR VAULTS.

VENTILATION STANDPIPE PLACEMENT

ALL DISTRIBUTION VAULTS 8' x 10' AND LARGER SHALL BE VENTED, USING TWO (2) VENTS. VENT LOCATIONS ARE PRECAST IN VAULT WALLS. DO NOT VENT TRANSMISSION VAULTS.

VENTILATION STANDPIPES SHALL BE PLACED IN LOCATIONS THAT ARE LEAST SUSCEPTIBLE TO VEHICULAR DAMAGE, OUT OF PEDESTRIAN TRAFFIC, AND AS UNOBTRUSIVE AS POSSIBLE. EASEMENTS ARE REQUIRED WHEN VENTILATION STANDPIPES ARE LOCATED ON PRIVATE PROPERTY.

FOLLOWING IS A LIST OF TYPICAL VENTILATION STANDPIPE LOCATIONS:

1. WHERE SIDEWALK IS ADJACENT TO CURB AND SIDEWALK WIDTH IS 6' OR MORE FROM CURB FACE TO OUTSIDE EDGE OF SIDEWALK, PLACE STANDPIPE:
 - a. OUTSIDE SIDEWALK AREA WHERE POSSIBLE, 10" MIN. FROM OUTSIDE EDGE OF SIDEWALK TO STANDPIPE CENTERLINE.
 - b. 24" FROM CURB FACE TO STANDPIPE CENTERLINE.
 - c. IN STATE HIGHWAY RIGHTS-OF-WAY, PLACE STANDPIPE 24" FROM CURB FACE TO STANDPIPE EDGE.

2. WHERE SIDEWALK IS ADJACENT TO CURB AND SIDEWALK WIDTH IS LESS THAN 6' FROM CURB FACE TO OUTSIDE EDGE OF SIDEWALK, PLACE STANDPIPE:
 - a. 10" FROM OUTSIDE EDGE OF SIDEWALK TO STANDPIPE CENTERLINE.

3. WHERE A PLANTED PARKWAY IS ADJACENT TO CURB, PLACE STANDPIPE:
 - a. OUTSIDE SIDEWALK AREA WHERE POSSIBLE, 10" MIN. FROM OUTSIDE EDGE OF SIDEWALK TO STANDPIPE CENTERLINE.
 - b. 24" FROM CURB FACE TO STANDPIPE CENTERLINE BUT NOT CLOSER THAN 10" FROM INSIDE EDGE OF SIDEWALK TO STANDPIPE CENTERLINE.
 - c. IN STATE HIGHWAY RIGHTS-OF-WAY, PLACE STANDPIPE 24" MIN. FROM CURB FACE TO STANDPIPE EDGE.

4. WHEN NO SIDEWALK OR CURB IS PRESENT, PLACE STANDPIPE CLEAR OF AREA WHERE VEHICLES OR PEDESTRIANS MAY TRAVEL. INSTALL BARRIERS IF NECESSARY (SEE CU1600-9).

NOTES:

- A. KEEP STANDPIPES A MINIMUM OF FIVE FEET FROM EDGE OF DRIVEWAYS AND ALL FIRE HYDRANTS
- B. THE TOTAL HORIZONTAL LENGTH OF EACH AIR DUCT RUN ENTERING A VAULT SHALL BE AS SHORT AS POSSIBLE (WITH A MAXIMUM LENGTH OF 70') AND NO MORE THAN TWO 90° ELBOWS UTILIZED IN EACH AIR DUCT RUN
- C. TWO VENTS ARE REQUIRED. THEY SHOULD EXIT THE VAULT AT OPPOSITE ENDS AND BE PLACED A MINIMUM OF FIVE FEET APART AT THE SURFACE.
- D. PVC STANDPIPES ARE STANDARD. GALVANIZED STEEL STANDPIPE SHOULD BE USED ONLY WHERE EXPOSED TO VEHICULAR DAMAGE OR WHERE PVC HAS HAD A HISTORY OF BEING BROKEN GREEN PAINTED CAST ALUMINUM VENT BOLLARDS (PER SH. 6) REQUIRED IN ANAHEIM RESORT AREA
- E. NEVER PAINT ANY PVC STANDPIPE.
- F. INSTALL SPRINKLE GUARDS ON STANDPIPE WHEN EXPOSED TO LANDSCAPE SPRINKLER SYSTEMS (SEE CU 1700-6, SH. 4)..

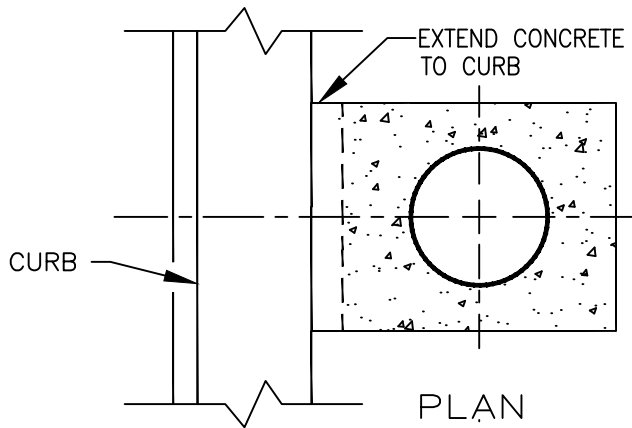
NOT FOR NEW CONSTRUCTION

FILENAME: CU1700-6 REV 7

ADDED PAGE 7

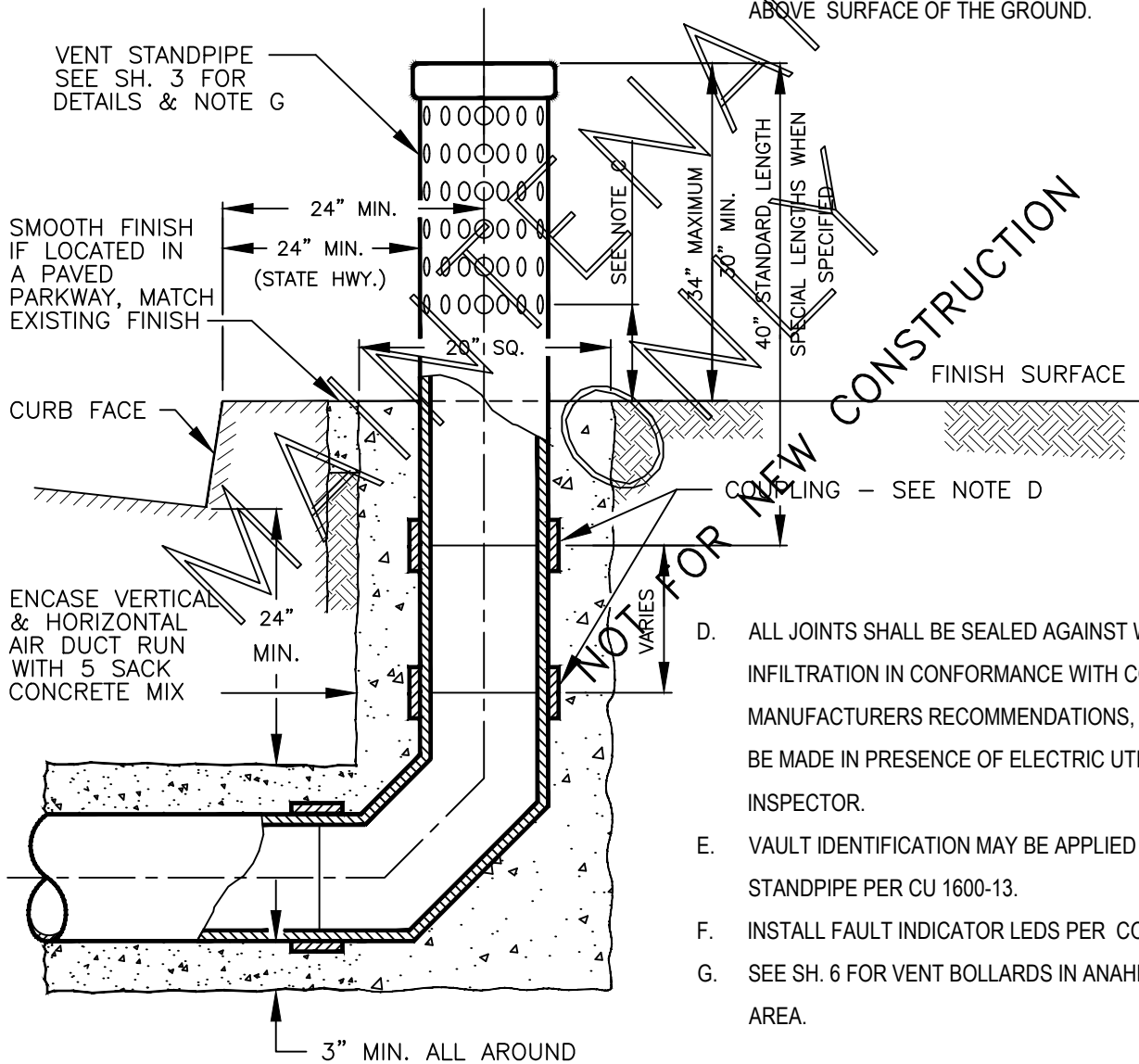
CITY OF ANAHEIM PUBLIC UTILITIES DEPARTMENT ELECTRICAL DIVISION T&D CONSTRUCTION STANDARDS		REVISION KEYS:	ADDED / REVISED TEXT	ADDED / REVISED MATERIAL	NEW SHEET	NEW SHEET
		VENTILATION FOR VAULTS				REVISION NO. 7
APPROVALS PREP BY T&D MGR SYS PLN MGR OPS MGR SUB MAINT		SHEET 1 OF 7		CONSTRUCTION STANDARD:		CU 1700-6
MH 	EB 	N/A	DAF 	N/A		

PVC VENTILATION STANDPIPE INSTALLATION



NOTES:

- A. VENTS SHALL BE PLACED AS SHOWN ON WORK ORDER DRAWING. SEE SH. 1 FOR DETAILS.
- B. STANDPIPES SHALL BE 10" I.D. PVC PER SH. 3. AIR DUCT RUNS SHALL BE ONE OF THE FOLLOWING MATERIALS: ABS OR PVC, 10" I.D. WITH .20" MIN. WALL.
- C. WHERE CURBS AND GRADES ARE NOT ESTABLISHED, BOTTOM HOLES OF STANDPIPE MUST BE 10" MINIMUM ABOVE SURFACE OF THE GROUND.



- D. ALL JOINTS SHALL BE SEALED AGAINST WATER INFILTRATION IN CONFORMANCE WITH CONDUIT MANUFACTURERS RECOMMENDATIONS, AND ARE TO BE MADE IN PRESENCE OF ELECTRIC UTILITY INSPECTOR.
- E. VAULT IDENTIFICATION MAY BE APPLIED TO VENT STANDPIPE PER CU 1600-13.
- F. INSTALL FAULT INDICATOR LEDS PER CO 185.
- G. SEE SH. 6 FOR VENT BOLLARDS IN ANAHEIM RESORT AREA.

FILENAME: CU1700-6 REV 7

NOT FOR NEW CONSTRUCTION

ADDED PAGE 7

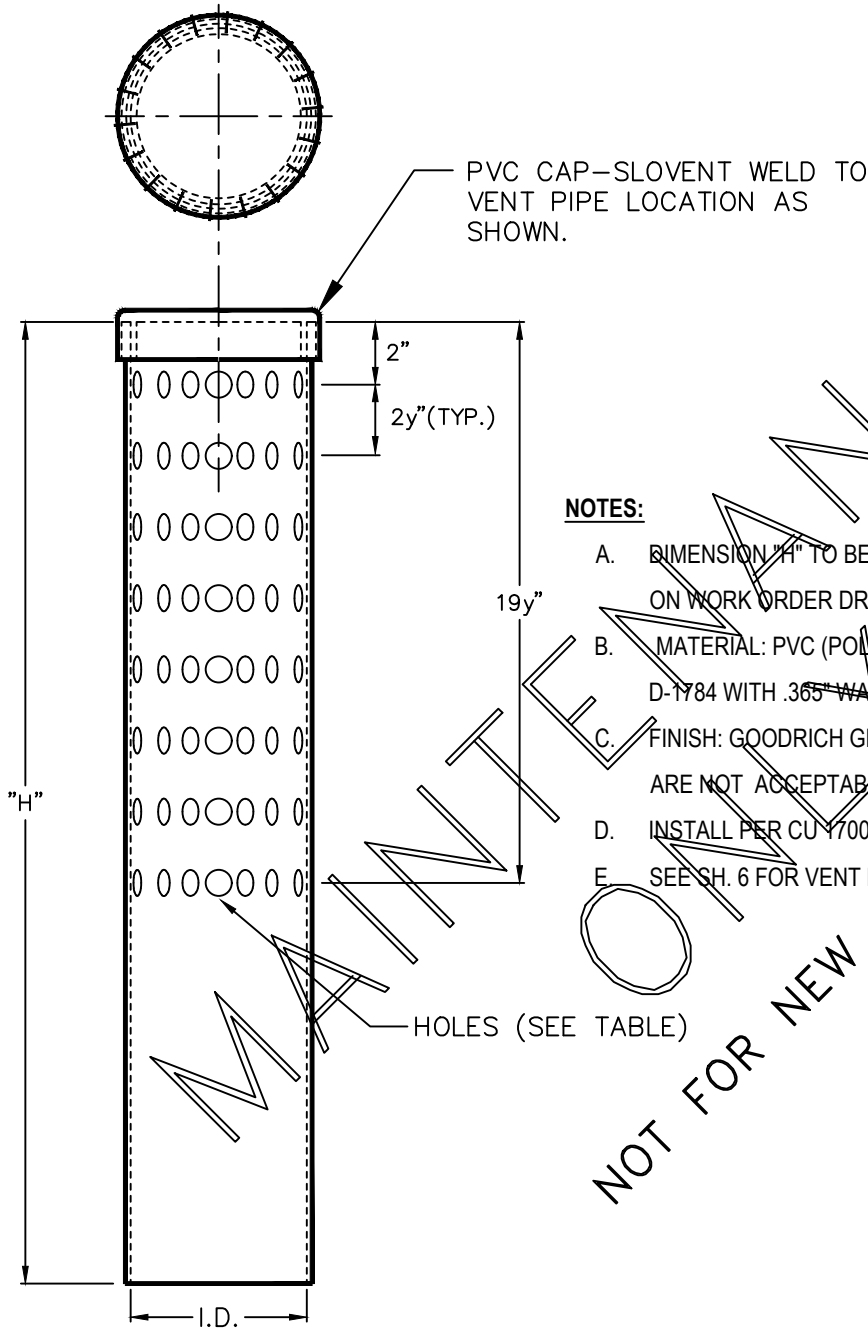
CITY OF ANAHEIM				
PUBLIC UTILITIES DEPARTMENT				
ELECTRICAL DIVISION				
T&D CONSTRUCTION STANDARDS				
APPROVALS				
PREP BY	T&D MGR	SYS PLN MGR	OPS MGR	SUB MAINT
MH	EB	N/A	DA	N/A

REVISION KEYS: ADDED / REVISED TEXT ADDED / REVISED MATERIAL

VENTILATION FOR VAULTS	
-------------------------------	--

NEW SHEET	NEW SHEET
REVISION NO. 7	
ISSUE DATE: 01-17	
SHEET 2 OF 7	
CONSTRUCTION STANDARD:	
CU 1700-6	

PVC VENTILATION STANDPIPE DETAILS



NOTES:

- A. DIMENSION "H" TO BE 40" (MINIMUM) UNLESS OTHERWISE SHOWN ON WORK ORDER DRAWING.
- B. MATERIAL: PVC (POLYVINYL CHLORIDE) TYPE II, GRADE 1. ASTM D-1784 WITH .365" WALL.
- C. FINISH: GOODRICH GRAY #260 OR EQUIVALENT. PAINTED VENTS ARE NOT ACCEPTABLE.
- D. INSTALL PER CU 1700-6, SH. 2
- E. SEE SH. 6 FOR VENT BOLLARDS IN ANAHEIM RESORT AREA.

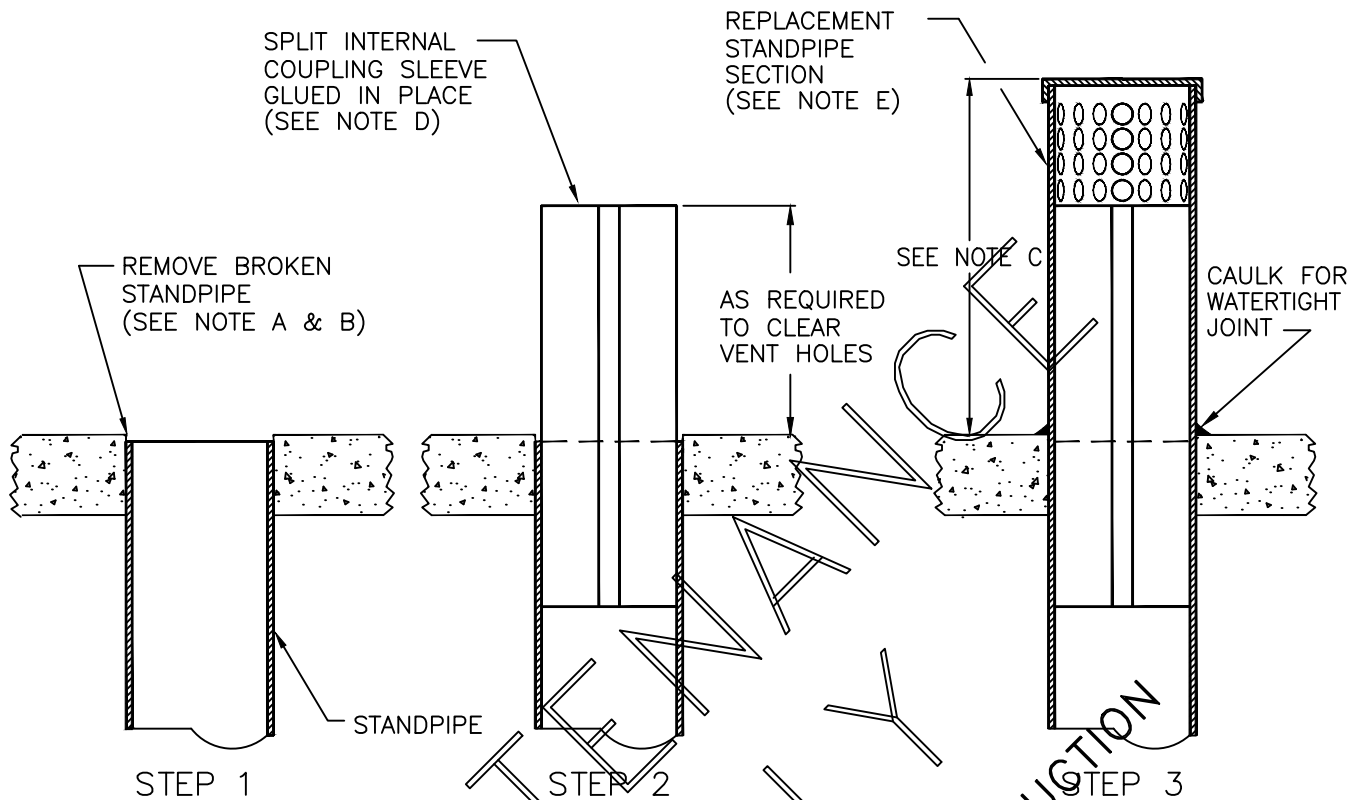
I.D. DIM.	HOLES	ARMORCAST PART NO.	ANAHEIM PART NO.
10"	8 ROWS OF 17 EQUALLY SPACED 1" DIA. HOLES (136 TOTAL)	A9002710 T.V.C.#U-SP10B	566445
10"	REMOVABLE CAP	QUICK SET #6169A	566460

FILENAME: CU1700-6 REV 7

ADDED PAGE 7

CITY OF ANAHEIM PUBLIC UTILITIES DEPARTMENT ELECTRICAL DIVISION T&D CONSTRUCTION STANDARDS	REVISION KEYS:	ADDED / REVISED TEXT	ADDED / REVISED MATERIAL	NEW SHEET	NEW SHEET										
	<h2>VENTILATION FOR VAULTS</h2>				REVISION NO. 7	ISSUE DATE: 01-17									
					SHEET 3 OF 7	CONSTRUCTION STANDARD:									
					CU 1700-6										
APPROVALS <table border="1" style="width: 100%; border-collapse: collapse;"> <tr> <td>PREP BY</td> <td>T&D MGR</td> <td>SYS PLN MGR</td> <td>OPS MGR</td> <td>SUB MAINT</td> </tr> <tr> <td>MH</td> <td>EB</td> <td>N/A</td> <td>DA</td> <td>N/A</td> </tr> </table>						PREP BY	T&D MGR	SYS PLN MGR	OPS MGR	SUB MAINT	MH	EB	N/A	DA	N/A
PREP BY	T&D MGR	SYS PLN MGR	OPS MGR	SUB MAINT											
MH	EB	N/A	DA	N/A											

PVC VENTILATION STANDPIPE REPAIR KIT



NOTES:

- A. BROKEN STANDPIPE SHALL BE CUT OFF FLUSH WITH GRADE (OR CHISELED TO ONE INCH BELOW GRADE IF REQUIRED).
- B. REMOVE DEBRIS FROM VENT AIR DUCT RUN.
- C. REPLACEMENT STANDPIPE IS CUT TO STAND 32"-34" ABOVE GRADE.
- D. THE INTERNAL COUPLING SLEEVE IS GLUED FAR ENOUGH INTO THE CUT OFF STANDPIPE SO THAT THE REPLACEMENT STANDPIPE VENT HOLES ARE NOT BLOCKED WHEN INSTALLED.
- E. REPLACEMENT STANDPIPE IS GLUED OVER THE COUPLING SLEEVE, PREVIOUSLY GLUED IN PLACE.
- F. THE REPLACEMENT STANDPIPE SHALL BE CAULKED (USE SILICONE RTV) WHERE IT MEETS CONCRETE TO INSURE A WATERTIGHT JOINT.
- G. BROKEN PVC STANDPIPES CAN BE REPLACED. USE THE FOLLOWING REPAIR KIT (INCLUDES REPLACEMENT STANDPIPE , INTERNAL COUPLING SLEEVE AND CEMENT):

VENT SIZE	ANAHEIM PART NO.
10" DIAMETER	566445

- H. FOR STANDPIPES WITH FAULT INDICATOR "LED'S", SEE CO 185.

FILENAME: CU1700-6 REV 7

ADDED PAGE 7

CITY OF ANAHEIM
PUBLIC UTILITIES DEPARTMENT
ELECTRICAL DIVISION
T&D CONSTRUCTION STANDARDS

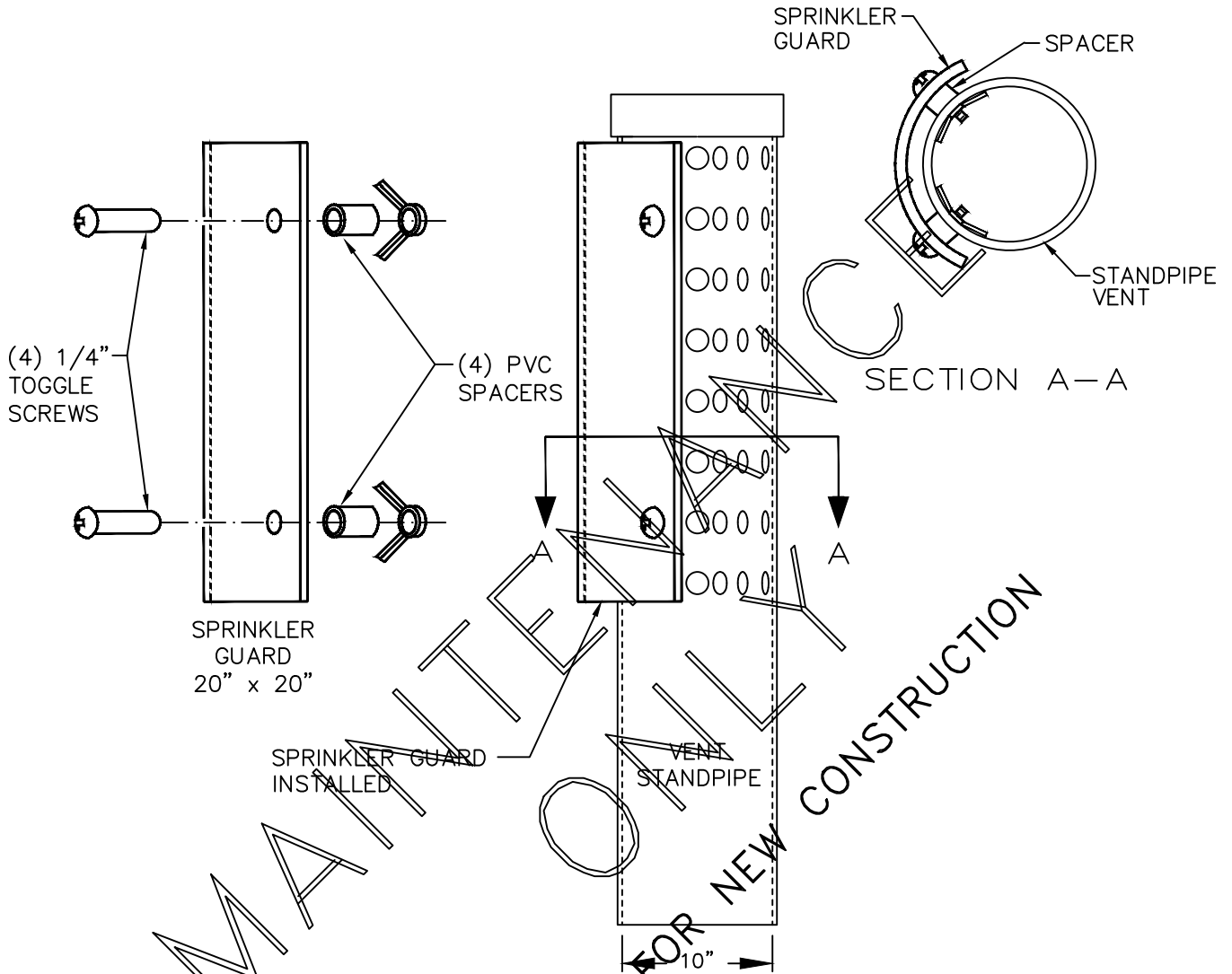
APPROVALS				
PREP BY	T&D MGR	SYS PLN MGR	OPS MGR	SUB MAINT
MH	EB	N/A	DA	N/A

REVISION KEYS: ADDED / REVISED TEXT ADDED / REVISED MATERIAL

VENTILATION FOR VAULTS

NEW SHEET	NEW SHEET
REVISION NO. 7	
ISSUE DATE: 01-17	
SHEET 4 OF 7	
CONSTRUCTION STANDARD:	
CU 1700-6	

PVC VENTILATION STANDPIPE SPRINKLER GUARD DETAILS



NOTES:

- A. WHERE VENT STANDPIPES ARE SUBJECT TO SPRAY FROM SPRINKLER SYSTEMS, VENT GUARDS SHOULD BE INSTALLED ON THE SIDE OF THE PERFORATED PORTION OF THE STANDPIPE MOST DIRECTLY FACING THE SOURCE OF THE SPRAY. THE PVC VENT GUARDS ARE ATTACHED BY FOUR 1/4" TOGGLE SCREWS PASSED THROUGH THE STANDPIPE PERFORATIONS. TOGGLE SCREWS AND PVC SPACERS ARE INCLUDED WITH VENT GUARD.
- B. DO NOT COVER FAULT INDICATOR "LED'S" IF INSTALLED.
- C. OBTAIN - SPRINKLER GUARD, SPACERS AND TOGGLE SCREWS, ARMORCAST PART NO. A9002790, FROM:

ARMORCAST PRODUCTS COMPANY
13030 RAYMER STREET
NORTH HOLLYWOOD, CA. 91605
(818) 982-3600

ADDED PAGE 7

FILENAME: CU1700-6 REV 7

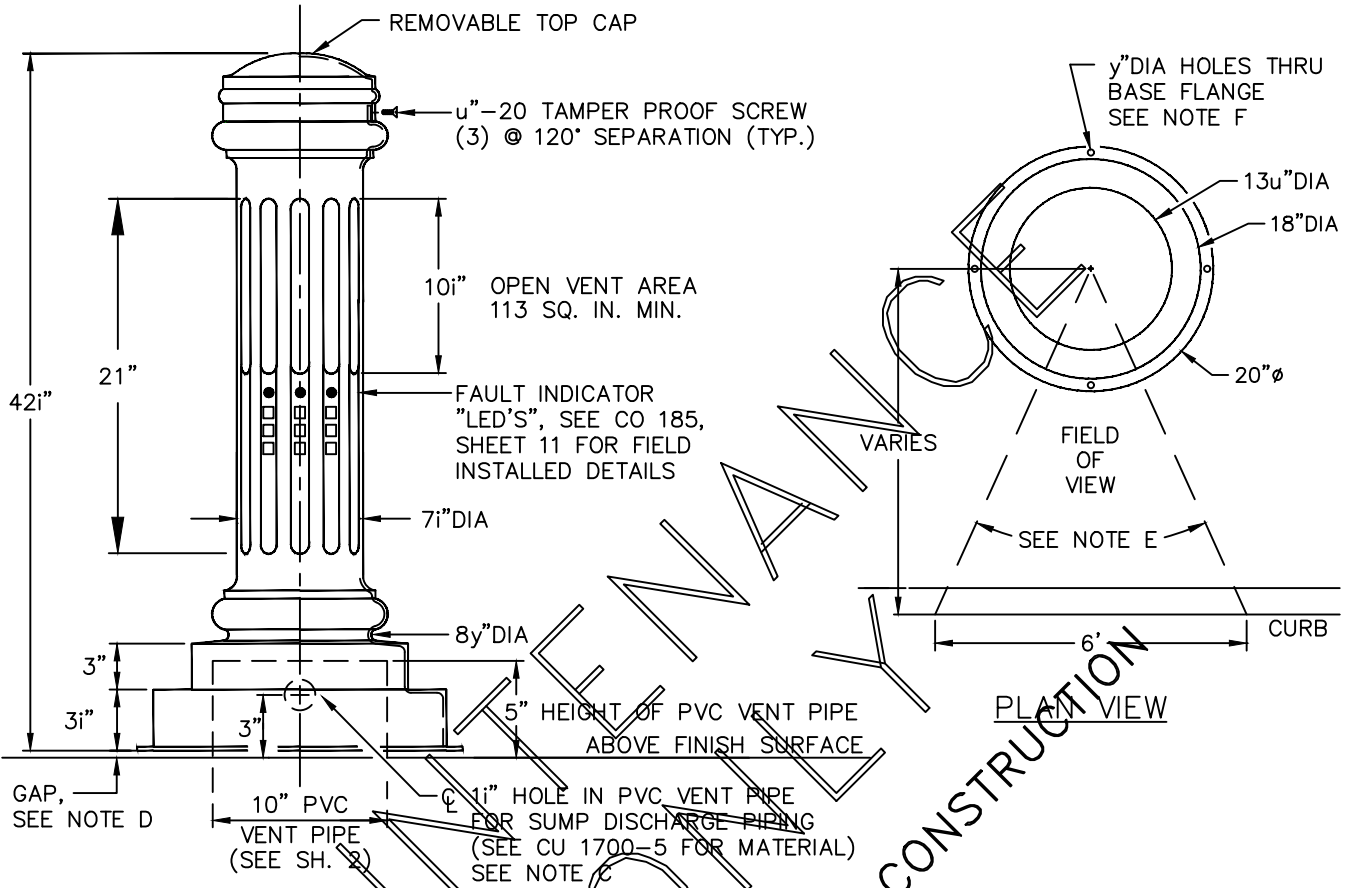
CITY OF ANAHEIM				
PUBLIC UTILITIES DEPARTMENT ELECTRICAL DIVISION T&D CONSTRUCTION STANDARDS				
APPROVALS				
PREP BY	T&D MGR	SYS PLN MGR	OPS MGR	SUB MAINT
MH	EB	N/A	DA	N/A

REVISION KEYS:		ADDED / REVISED TEXT		ADDED / REVISED MATERIAL
----------------	--	----------------------	--	--------------------------

NEW SHEET	NEW SHEET
REVISION NO.	7
ISSUE DATE :	01-17
SHEET	5 OF 7
CONSTRUCTION STANDARD:	
CU 1700-6	

VENTILATION FOR VAULTS

SCOPE: THIS STANDARD SHOWS REQUIREMENTS FOR INSTALLATION OF DECORATIVE VENTED BOLLARD IN ANAHEIM RESORT AREA.



ITEM	MANUFACTURER & CATALOG NO.	ANAHEIM PART NO.
VENT BOLLARD	ELA CO. #BOL5030	566465

NOTES:

- A. BOLLARD SHALL BE CAST ALUMINUM, PAINTED GREEN (TENEMAC CO. GREEN).
- B. BOLLARD SHALL HAVE REMOVABLE TOP CAP SECURED WITH 1/4"-20, STAINLESS STEEL, TAMPERPROOF FASTENERS.
- C. FOR VENTS WITH SUMP DISCHARGE, LOCATE DISCHARGE PORT 3" ABOVE FINISH SURFACE IN PVC VENT PIPE PER DETAIL ABOVE.
- D. PROVIDE 1/8" MINIMUM TO 3/8" MAXIMUM OPEN GAP BETWEEN BASE AND FINISHED SURFACE WHEN BOLLARD IS INSTALLED OVER VENT WITH SUMP DISCHARGE.
- E. "FIELD OF VIEW" AREA SHALL BE KEPT CLEAR SO FAULT INDICATOR "LED" LIGHTS ARE VISIBLE FROM STREET. SEE CO185, SHT. 11 FOR "LED" INSTALLATION DETAILS.
- F. SECURE BOLLARD WITH 3/8" CONCRETE ANCHORS AND 3/8" NON-CORROSIVE FASTENERS.

ADDED PAGE 7

FILENAME: CU1700-6 REV 7

CITY OF ANAHEIM
PUBLIC UTILITIES DEPARTMENT
ELECTRICAL DIVISION
T&D CONSTRUCTION STANDARDS

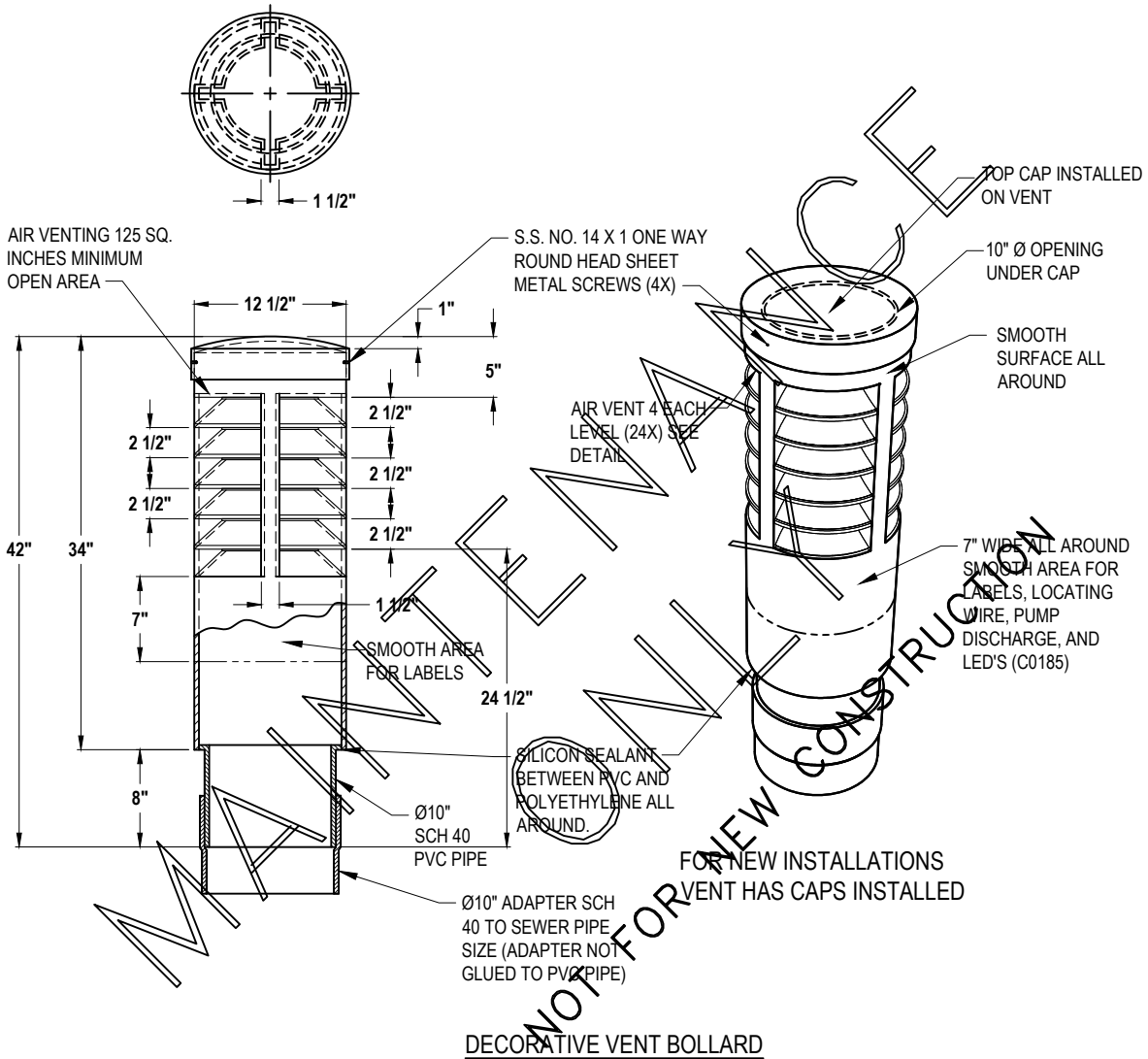
APPROVALS				
PREP BY	T&D MGR	SYS PLN MGR	OPS MGR	SUB MAINT
MH	EB	N/A	DA	N/A

REVISION KEYS: ADDED / REVISED TEXT ADDED / REVISED MATERIAL

VENTILATION FOR VAULTS

NEW SHEET	NEW SHEET
REVISION NO. 7	
ISSUE DATE: 01-17	
SHEET 6 OF 7	
CONSTRUCTION STANDARD:	
CU 1700-6	

FILENAME: CU1700-6 REV 7



O.D.	STANDPIPE VENT WITH ADAPTER	ARMORCAST PART NO.	ANAHEIM PART NO.
12"	10" Ø X 42" STANDPIPE VENT SANDSTONE	P6002710-SND	*

NOTE:

1. FOR INSTALLATION SEE SHEET 2.
2. USE THIS VENT FOR ALL NEW INSTALLATION.

* FURNISHED BY CONTRACTOR

ADDED PAGE 7

CITY OF ANAHEIM PUBLIC UTILITIES DEPARTMENT ELECTRICAL DIVISION T&D CONSTRUCTION STANDARDS		REVISION KEYS: ADDED / REVISED TEXT ADDED / REVISED MATERIAL	NEW SHEET REVISION NO. 7 ISSUE DATE: 01-17 SHEET 7 OF 7 CONSTRUCTION STANDARD:
APPROVALS PREP BY: T&D MGR, SYS PLN MGR, OPS MGR, SUB MAINT MH, [Signature], N/A, [Signature], N/A		VENTILATION FOR VAULTS	
		CU 1700-6	