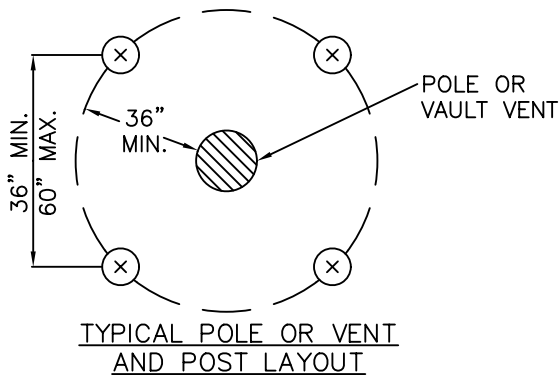
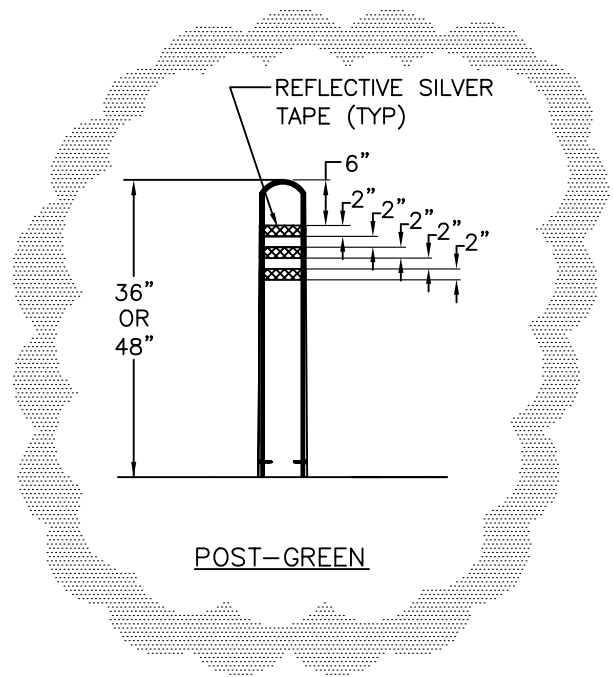
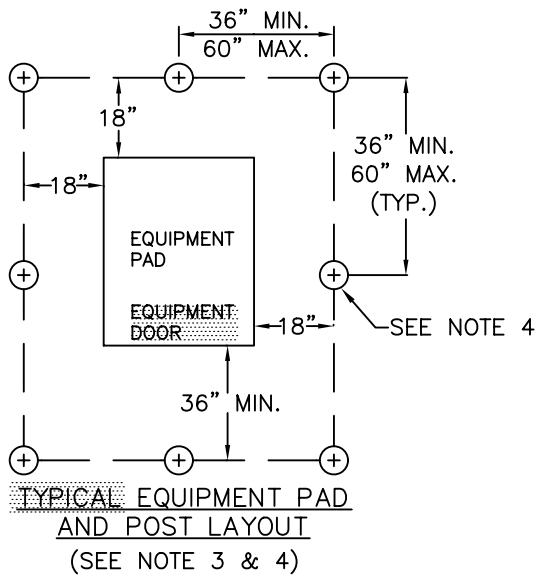
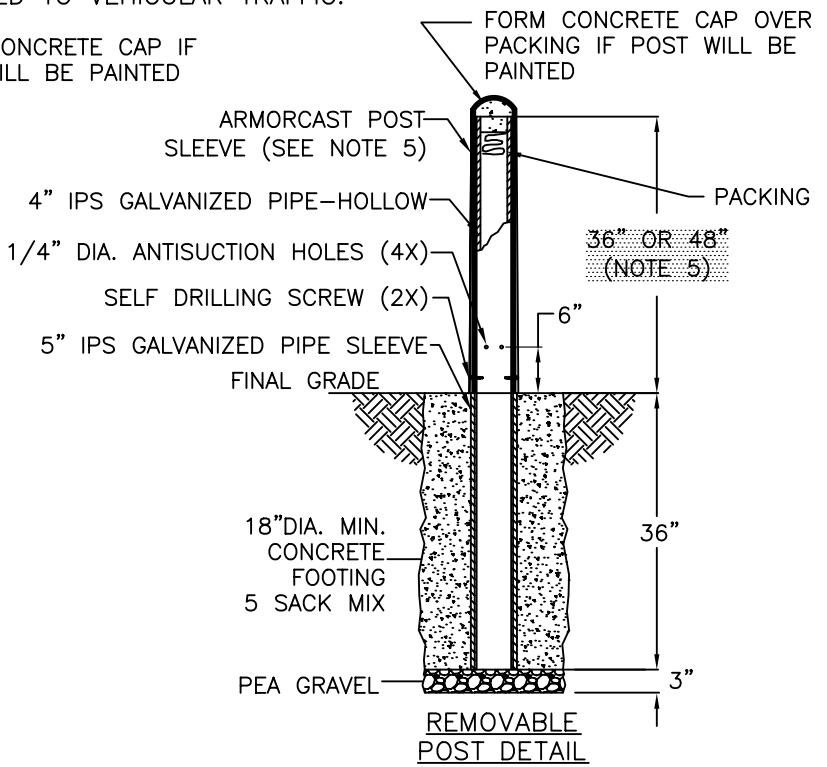
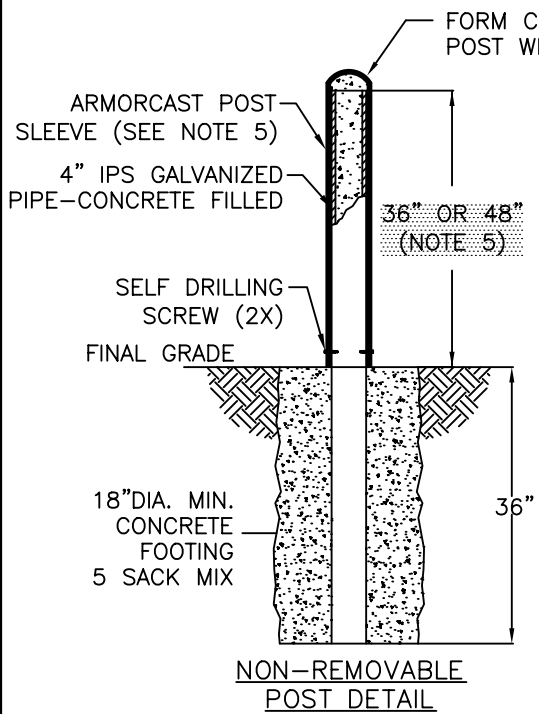


SCOPE: THIS STANDARD SHOWS PROTECTIVE POST REQUIREMENTS FOR ABOVE GRADE MOUNTED EQUIPMENT EXPOSED TO VEHICULAR TRAFFIC.



FILENAME: CU1600-9 REV2

CITY OF ANAHEIM PUBLIC UTILITIES DEPARTMENT ELECTRICAL DIVISION T&D CONSTRUCTION STANDARDS		
APPROVALS		
T&D MGR	FIELD MGR	OPER. MGR
<i>[Signature]</i>	<i>[Signature]</i>	<i>[Signature]</i>

REVISION KEYS:	ADDED / REVISED TEXT	ADDED / REVISED MATERIAL
----------------	----------------------	--------------------------

PROTECTIVE POSTS

REVISION NO.	2
ISSUE DATE:	01-10
SHEET	1 OF 2
CONSTRUCTION STANDARD:	CU 1600-9

NOTES:

1. PROTECTIVE POSTS INSTALLATION GUIDELINES:
 - A. DO NOT INSTALL PROTECTIVE POSTS IF EXISTING ABOVE GROUND OBJECTS CAN PROTECT THE EQUIPMENT FROM VEHICULAR TRAFFIC
 - A. GREEN COLOR POSTS (PAINTED /SLEEVED) MAY BE UTILIZED WHEN, AND IF THE ABOVE GROUND MOUNTED EQUIPMENT, ARE INSTALLED IN LANDSCAPED AREA WITH LIMITED TRAFFIC ACCESS. POSTS SHALL BE PAINTED YELLOW FOR DESIGNATING CAUTION AND FOR MARKING PHYSICAL HAZARDS, PER OSHA RREGULATION 1910. 144. REFLECTIVE TAPES ARE REQUIRED PER DETAIL "A" ONLY ON GREEN POSTS.

FINAL DETERMINATION OF QUANTITY, COLOR AND HEIGHT OF THE POSTS SHALL BE MADE BY THE ELECTRICAL DESIGNER AND/OR THE ELECTRIC UTILTIY INSPECTOR
2. CAUTION MUST BE TAKEN WHEN INSTALLING POSTS SO THEY DO NOT MAKE CONTACT WITH ANY UNDER GROUND UTILITIES.
3. 18" SIDE DIM. SHALL BE INCREASED TO 48" FOR PAD MOUNTED SWITCHES.
4. POSTS SHALL BE COVERED WITH APPROPRIATE COLORED PLASTIC SLEEVE AND SECURED WITH SELF DRILLING SCREWS (SEE PART NUMBERS BELOW) OR PAINTED AT THE JOB SITE.
5. EQUIPMENT HEIGHT DICTATES THE HEIGHT OF PROTECTIVE POSTS. USE TALLER POSTS FOR SHORTER EQUIPMENT.

ARMORCAST PRODUCTS

ITEM	DESCRIPTION	ARMORCAST PART NO.
SLEEVE ONLY	SLEEVE, POLYETHYLENE – YELLOW	P6000560
SLEEVE ONLY	SLEEVE, POLYETHYLENE – GREEN	P6000560-GRN
NON-REMOVABLE POST KIT	SLEEVE, POLYETHYLENE – YELLOW POST, 4" IPS X 72" LG PIPE, GALVANIZED	P6000560S
NON-REMOVABLE POST KIT	SLEEVE, POLYETHYLENE – GREEN POST, 4" IPS X 72" LG PIPE, GALVANIZED	P6000560S-GRN
REMOVABLE POST KIT	SLEEVE, POLYETHYLENE – YELLOW POST, 4" IPS X 72" LG PIPE, GALVANIZED SLEEVE, 5" IPS X 36" LG PIPE, GALVANIZED	P6000560A
REMOVABLE POST KIT	SLEEVE, POLYETHYLENE – GREEN POST, 4" IPS X 72" LG PIPE, GALVANIZED SLEEVE, 5" IPS X 36" LG PIPE, GALVANIZED	P6000560A-GRN
2" REFLECTIVE TAPE	3M PRODUCT #963-10 ANAHEIM PART NO. E566095M	-

FILENAME: CU1600-9 REV2

<p>CITY OF ANAHEIM PUBLIC UTILITIES DEPARTMENT ELECTRICAL DIVISION T&D CONSTRUCTION STANDARDS</p>	REVISION KEYS:	<input type="checkbox"/> ADDED / REVISED TEXT	<input type="checkbox"/> ADDED / REVISED MATERIAL	NEW SHEET				
	PROTECTIVE POSTS							
	<table border="1" style="width: 100%; border-collapse: collapse;"> <tr> <td style="width: 25%;">REVISION NO. 2</td> </tr> <tr> <td>ISSUE DATE: 01-10</td> </tr> <tr> <td>SHEET 2 OF 2</td> </tr> <tr> <td>CONSTRUCTION STANDARD:</td> </tr> </table>				REVISION NO. 2	ISSUE DATE: 01-10	SHEET 2 OF 2	CONSTRUCTION STANDARD:
	REVISION NO. 2							
ISSUE DATE: 01-10								
SHEET 2 OF 2								
CONSTRUCTION STANDARD:								
CU 1600-9								

APPROVALS		
T&D MGR	FIELD MGR	OPER. MGR
		