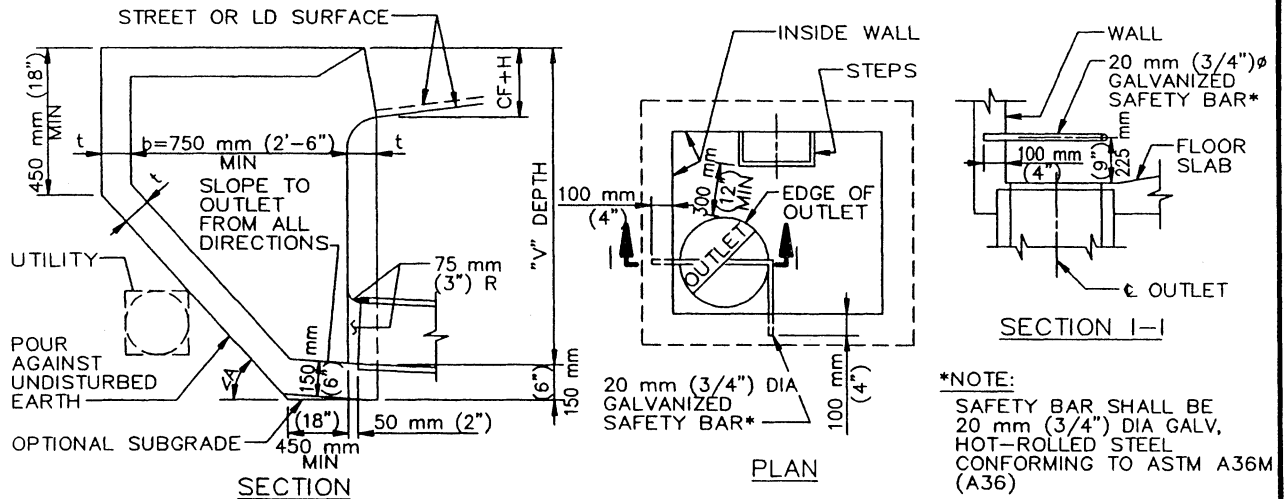


**CASE 1**  
**CATCH BASIN MODIFICATION**  
**WITH REAR CULVERT ENTRANCE**  
**AND / OR ENTRANCE PROJECTION**



**CASE 2**  
**CATCH BASIN MODIFICATION**  
**TO AVOID EXISTING UTILITY**

**CASE 3**  
**SAFETY BAR FOR DROP**  
**OUTLET CATCH BASIN**

STANDARD PLANS FOR PUBLIC WORKS CONSTRUCTION

PROMULGATED BY THE  
PUBLIC WORKS STANDARDS INC.  
GREENBOOK COMMITTEE  
1992  
REV. 1993, 1996

**MODIFICATIONS FOR SIDE**  
**OPENING CATCH BASIN**

STANDARD PLAN  
METRIC

**314-2**

USE WITH STANDARD SPECIFICATIONS FOR PUBLIC WORKS CONSTRUCTION

SHEET 1 OF 2

NOTES

1. MODIFICATIONS ARE TO BE USED AS REQUIRED BY THE PLANS. ANY ADDITIONAL CHANGES ARE SUBJECT TO THE APPROVAL OF THE ENGINEER.
2. DETAILS NOT SHOWN SHALL BE PER THE APPLICABLE CATCH BASIN STANDARD PLANS.
3. REFER TO THE PLANS FOR DETAILS OF THE UTILITY AND CULVERT.
4. INTERFERING PORTIONS OF EXISTING CULVERTS SHALL BE REMOVED ON A LINE NORMAL TO THE CULVERT CENTER LINE AND A PORTION OF THE CULVERT RECONSTRUCTED IF REQUIRED. SAWCUTTING SHALL BE USED TO PROVIDE A NEAT JOINT ON THE EXPOSED SURFACE AND TRANSVERSE STEEL SHALL BE RETAINED.
5. PLACE STEPS IN END WALL OF CATCH BASIN UNLESS OTHERWISE SHOWN.
6. WHEN REINFORCEMENT IS REQUIRED BY SPPWC 309, IT SHALL BE PLACED TO THE CONFIGURATION OF THE MODIFIED BASIN. IF ANGLE A EXCEEDS 45° THE SLOPING PORTION OF THE INVERT SHALL BE REINFORCED AS THE REAR WALL. LENGTH OF BARS SHALL BE INCREASED AS NECESSARY.
7. ELECTRICALLY WELDED STUDS 15 mm x 200 mm (1/2" x 8"), NELSON H4F OR EQUAL MAY BE USED IN LIEU OF THE DEFORMED BAR ANCHORS. IF THE TOP SLABS OF THE CATCH BASIN AND THE CULVERT ARE NOT IN THE SAME PLANE THE ANCHORS ON THE CULVERT SIDE SHALL BE OMITTED.
8. THE FOLLOWING SPPWC ARE INCORPORATED HEREIN:
  - 300 CURB OPENING CATCH BASIN
  - 308 MONOLITHIC CATCH BASIN CONNECTION
  - 309 CATCH BASIN REINFORCEMENT
  - 310 CATCH BASIN FACE PLATE ASSEMBLY AND PROTECTION BAR
  - 312 CATCH BASIN MANHOLE FRAME AND COVER
  - 635 STEEL STEP
  - 636 POLYPROPYLENE PLASTIC STEP

STANDARD PLANS FOR PUBLIC WORKS CONSTRUCTION

**MODIFICATIONS FOR SIDE  
OPENING CATCH BASIN**

STANDARD PLAN  
METRIC

**314-2**

SHEET 2 OF 2