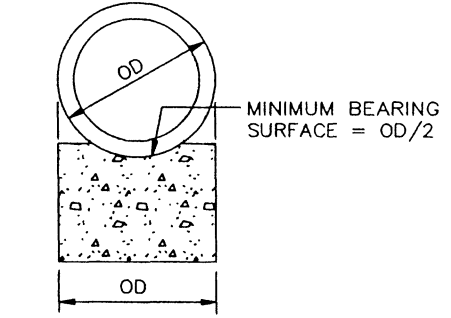
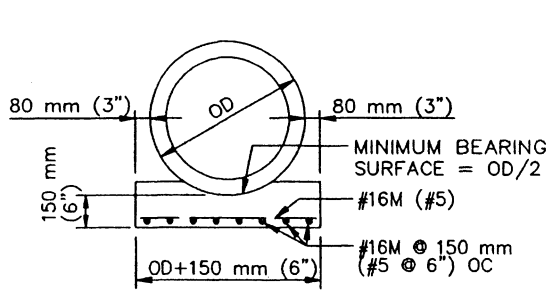


CASE 1
BEAM SUPPORT
D = 750 mm (30") MAX

CASE 2
COLUMN SUPPORT
D = 750 mm (30") MAX



STANDARD PLANS FOR PUBLIC WORKS CONSTRUCTION

PROMULGATED BY THE
PUBLIC WORKS STANDARDS INC.
GREENBOOK COMMITTEE
1984
REV. 1996

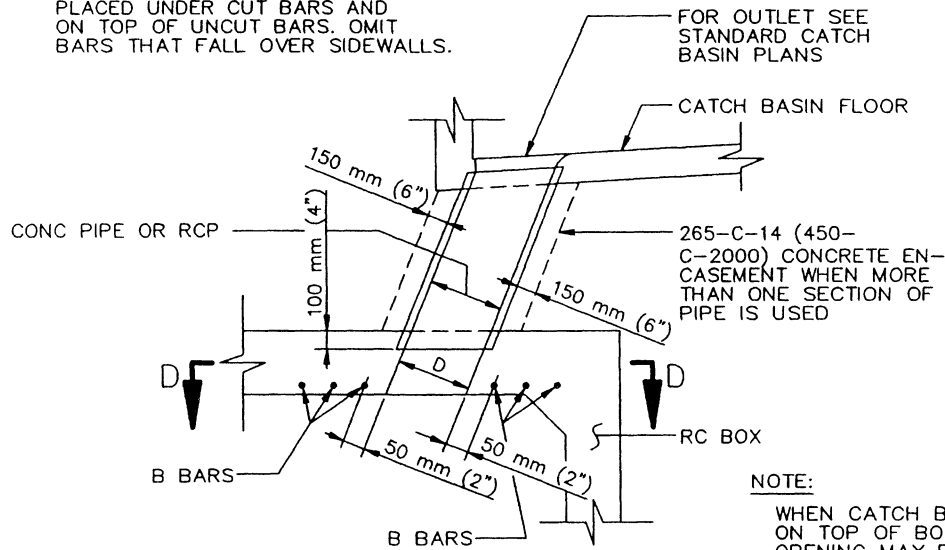
JUNCTION STRUCTURE - PIPE TO RCB
INLET ID 750 mm (30")

STANDARD PLAN
METRIC
334-1

USE WITH STANDARD SPECIFICATIONS FOR PUBLIC WORKS CONSTRUCTION

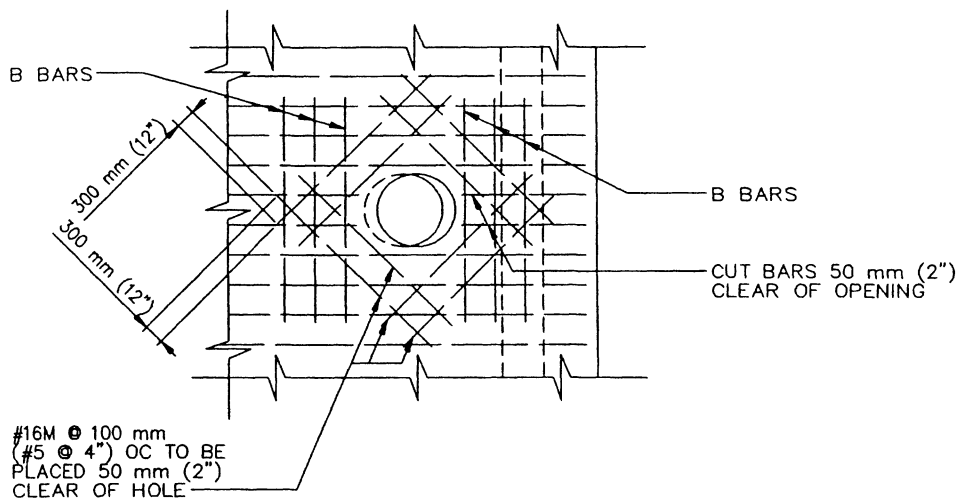
SHEET 1 OF 3

B BARS - #19M @ 100 mm (#6 @ 4") OC,
 LENGTH = D+1.0 m (3'-0")
 PLACED UNDER CUT BARS AND
 ON TOP OF UNCUT BARS. OMIT
 BARS THAT FALL OVER SIDEWALLS.



NOTE:
 WHEN CATCH BASIN FALLS
 ON TOP OF BOX, THE
 OPENING MAY BE FORMED
 THROUGH FLOOR OF CATCH
 BASIN AND TOP SLAB OF BOX.

CASE 3
TOP SLAB ENTRANCE
 D = 750 mm (30") MAX



SECTION D-D

NOTES

1. USE JUNCTION STRUCTURE PER SPPWC 333 INSTEAD OF THIS JUNCTION STRUCTURE UNDER ANY ONE OF THE FOLLOWING CONDITIONS:
 - a. DIAMETER OF INLET PIPE EXCEEDS 750 mm (30").
 - b. TOP OF PIPE IS LESS THAN 300 mm (12") BELOW SOFFIT OF BOX.
 - c. FLOW LINE OF PIPE IS LESS THAN 225 mm (13") ABOVE FLOOR OF THE BOX AT INSIDE FACE.
 - d. ANGLE A IS LESS THAN 45°.
2. ALL CSP AND FITTINGS SHALL BE GALVANIZED.
3. ELEVATION S SHALL BE SPECIFIED ON PLANS ONLY IF THE TOP OF PIPE IS MORE THAN 300 mm (12") BELOW SOFFIT OF BOX.
4. LATERALS OR CONNECTOR PIPES 600 mm (24") OR LESS IN DIAMETER SHALL BE NOT MORE THAN 1.5 m (5') ABOVE THE INVERT. LATERALS OR CONNECTOR PIPES 675 mm (27") OR LARGER IN DIAMETER SHALL BE NOT MORE THAN 450 mm (18") ABOVE THE INVERT, WITH THE EXCEPTION THAT CATCH BASIN CONNECTOR PIPES LESS THAN 15 m (50') IN LENGTH SHALL BE NOT MORE THAN 1.5 m (5') ABOVE THE INVERT.

STANDARD PLANS FOR PUBLIC WORKS CONSTRUCTION

JUNCTION STRUCTURE – PIPE TO RCB
INLET ID 750 mm (30")

STANDARD PLAN
METRIC

334-1

SHEET 3 OF 3