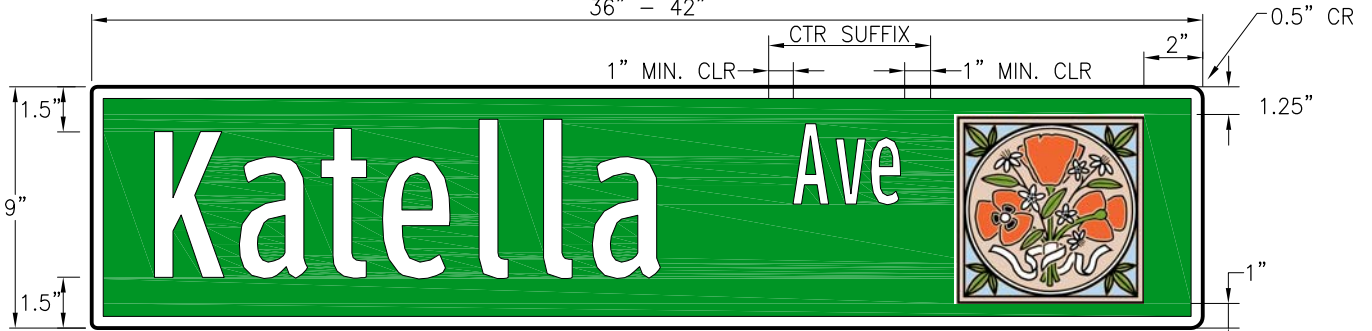


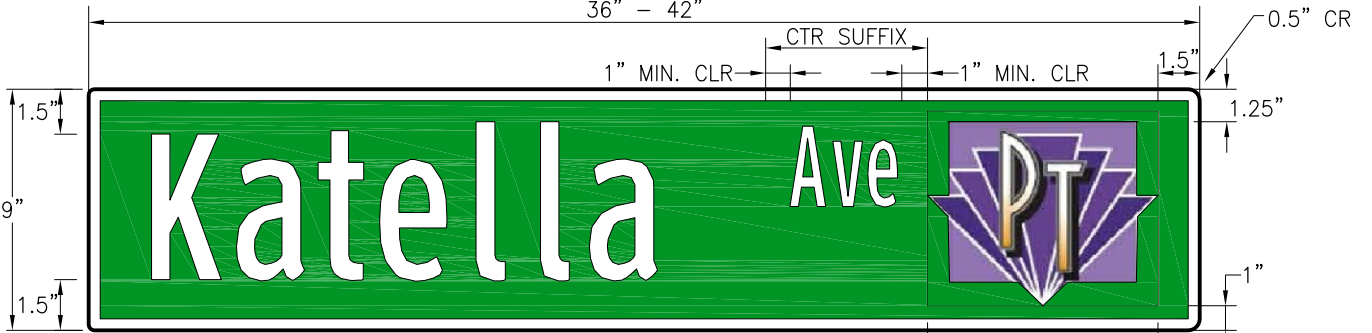
RESORT AREA

36" - 42"



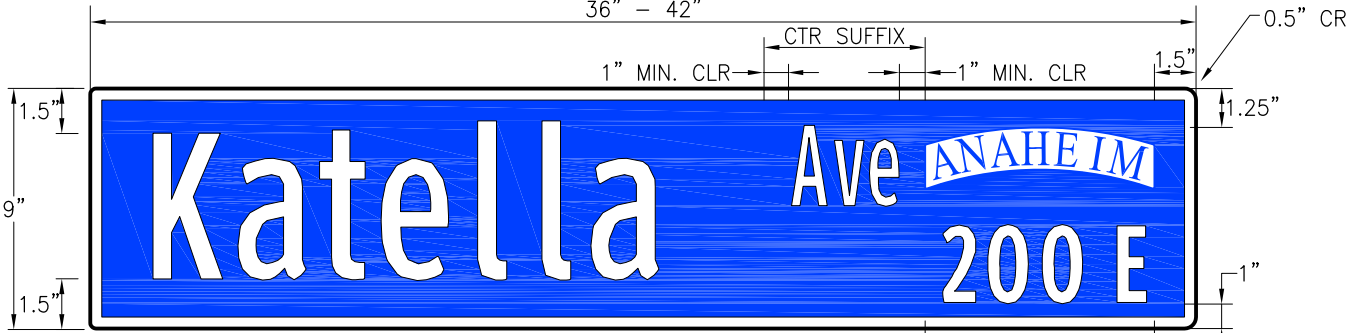
PLATINUM TRIANGLE AREA

36" - 42"



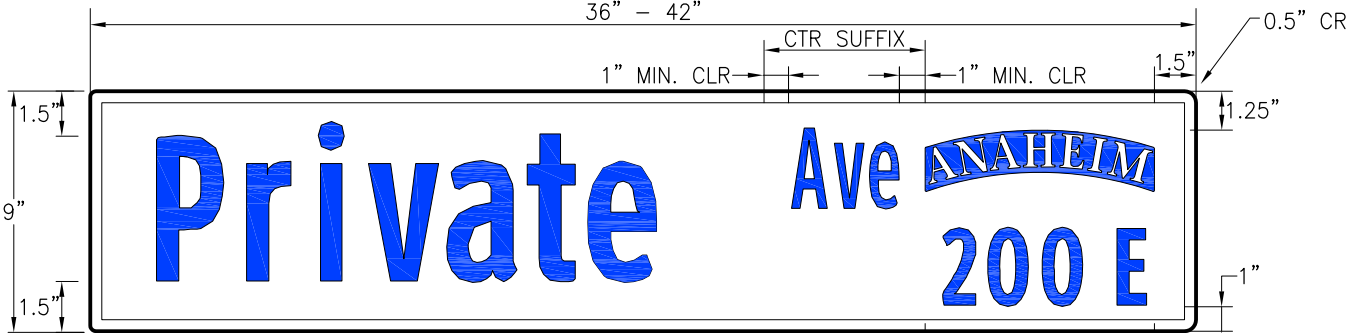
STANDARD SIGN

36" - 42"



PRIVATE STREET SIGN

36" - 42"



STANDARD STREET NAME SIGN

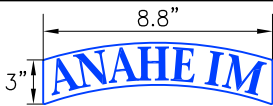


REVISIONS			
No.	DATE	No.	DATE
1	07/65	A	03/83
B	01/68	C	10/18

[Signature]
 CITY ENGINEER 10/05/18
 DATE

[Signature]
 DIRECTOR OF PUBLIC WORKS 10/05/18
 DATE

STANDARD DETAIL
425
 SHEET 1 OF 2



1.88" ITC STONE SERIF SEMIBOLD
CONDENSED TO FIT

- 6" UC, CLEARVIEW 1W (CONDENSED TO FIT)
- 5" LC, CLEARVIEW 1W (CONDENSED TO FIT)
- SUFFIX- 3" UC/LC, CLEARVIEW 1W
- WHT/BU; 0.375" WHT BORDER
- P3 = CUSTOM MATCH, SEE SAMPLE AT CITY OF ANAHEIM

QTY OF CHARACTERS BASED ON THREE (3) LETTER SUFFIX	
# OF CHARACTERS	LENGTH OF SIGN
0-2	24"
3-4	30"
5-6	36"
7-8	42"
9-11	48"
12+	COND. TO FIX

SIGN BLANKS: USE ALUMINUM 0.125"/5052H38/ALLOY ALODINE TREATED SIGN BLANKS WITH RADIUS AND PUNCH PER STATE OF CALIFORNIA, DEPARTMENT OF TRANSPORTATION (CALTRANS) SPECIFICATIONS WITH A 9" BLADE.

SIGN SHEETING: USE 3M DIAMOND GRADE DG3 REFLECTIVE SHEETING OR APPROVED EQUAL CONFORMING TO ASTM D4956 TYPE XI SPECIFICATIONS. ALL SIGNS SHALL INCLUDE AN ANTI-GRAFFITI PROTECTIVE FILM OVERLAY. PROTECTIVE OVERLAY SHALL BE 3M SERIES 1160A OR APPROVED EQUAL.

STREET SIGN BRACKETS

DIE CAST ALUMINUM

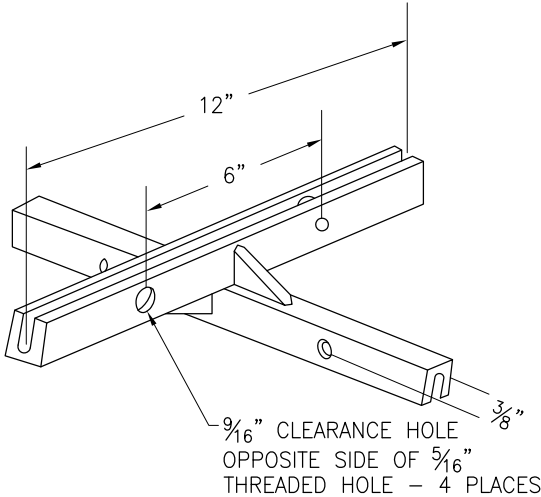
STYLE # 812 - BOLT THRU

STYLE #812 NOTES

- FOR FLAT OR EXTRUDED BLADES (PLEASE SPECIFY)
- 12" BLADE HOLDER DRILLED AND TAPPED ON 6" CENTERS
- FOR SUPERIOR SIGN HOLDING STRENGTH
- SAME SIDE OR OPPOSITE SIDE ACCESS DRILLING
- DRILLED FOR SET SCREWS OR BOLT THRU FASTENERS
- FOR BOLT THRU APPLICATION, BOLT GOES COMPLETELY THRU SIGN, BOLT HEAD PRESSES FIRMLY AGAINST SIGN
- FOR SET SCREW APPLICATION 25-40 INCH POUNDS PRESSURE IS SUFFICIENT TO SECURE SIGN BLANK IN BRACKET

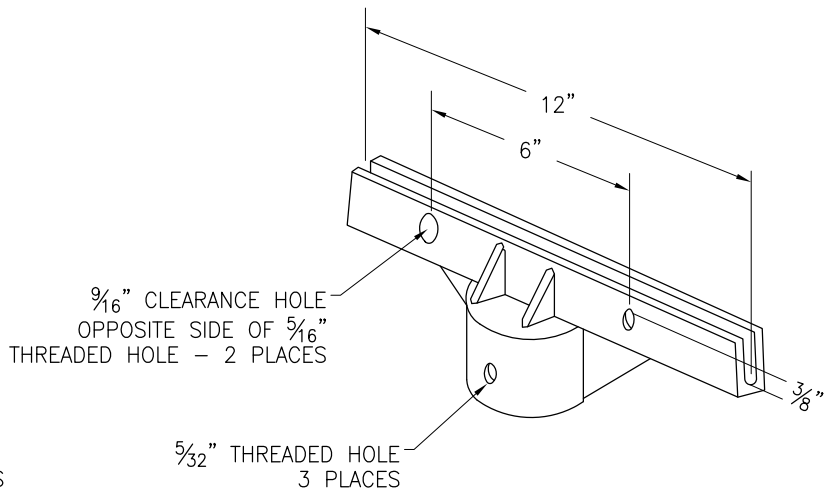
HARDWARE

- STANDARD SET SCREWS
- VANDAL PROOF (VP) SET SCREWS
- TS12 BOLTS AND SET SCREWS
- VANDAL PROOF BOLTS AND (VP) SET SCREWS
- STD BOLT WOULD BE THE SOCKET BOLT



CROSSES AVAILABLE

90°

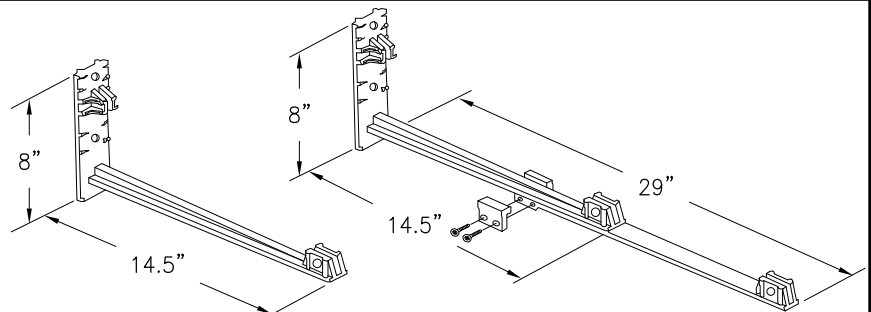


CAPS AVAILABLE

2" SQUARE (FOR 2"x2" SQ. POST)

STYLE #10-10 NOTES

- SPECIFY CANTILEVER ARM BRACKET FOR FLAT OR EXTRUDED BLADES
- STANDARD DRILLING (5/16"x 18"x 1/2" SET SCREW)
- BOLT THRU DRILLING (1/4"x 20"x 1/2" SOCKET HEAD BOLT)
- FOR SET SCREW APPLICATION 25-40 INCH POUNDS PRESSURE IS SUFFICIENT TO SECURE SIGN BLANK IN BRACKET



STYLE # 10-10

**STYLE # 10-10
WITH EXTENSION**

STANDARD STREET NAME SIGN BRACKETS



REVISIONS			
No.	DATE	No.	DATE
1	07/65	A	03/83
B	01/68	C	10/18

[Signature]
CITY ENGINEER

10/05/18
DATE

[Signature]
DIRECTOR OF PUBLIC WORKS

10/05/18
DATE

STANDARD DETAIL

425

SHEET 2 OF 2

DEPARTMENT OF PUBLIC WORKS